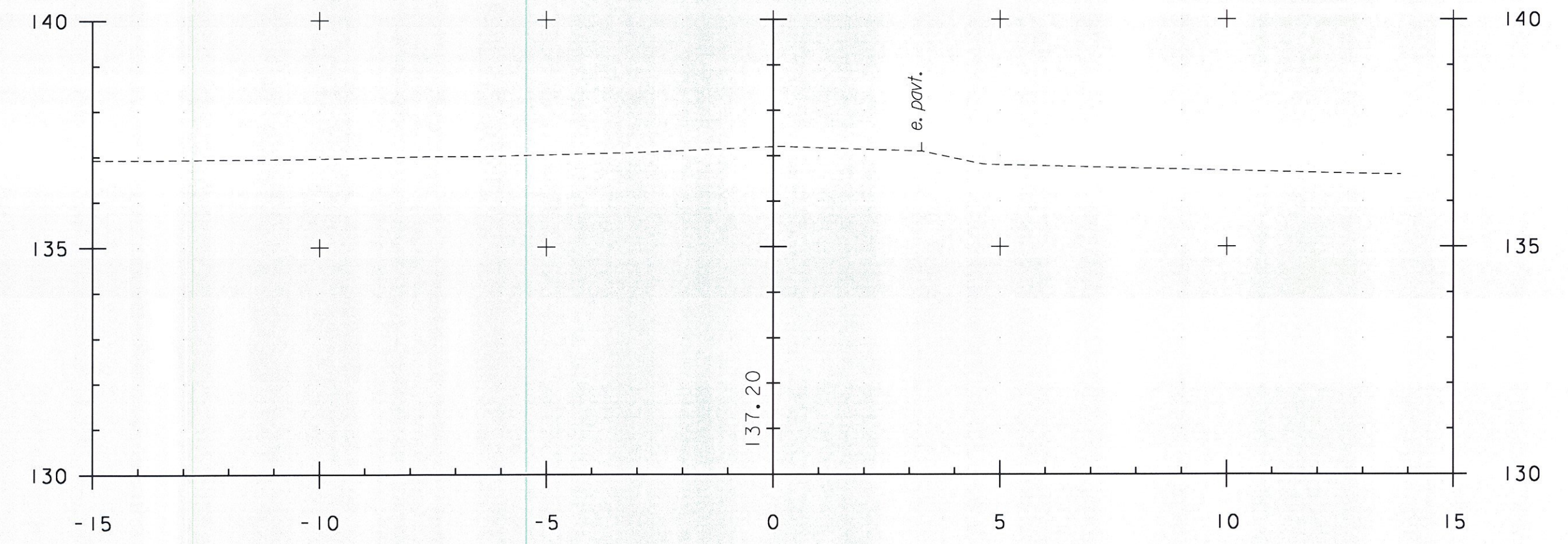
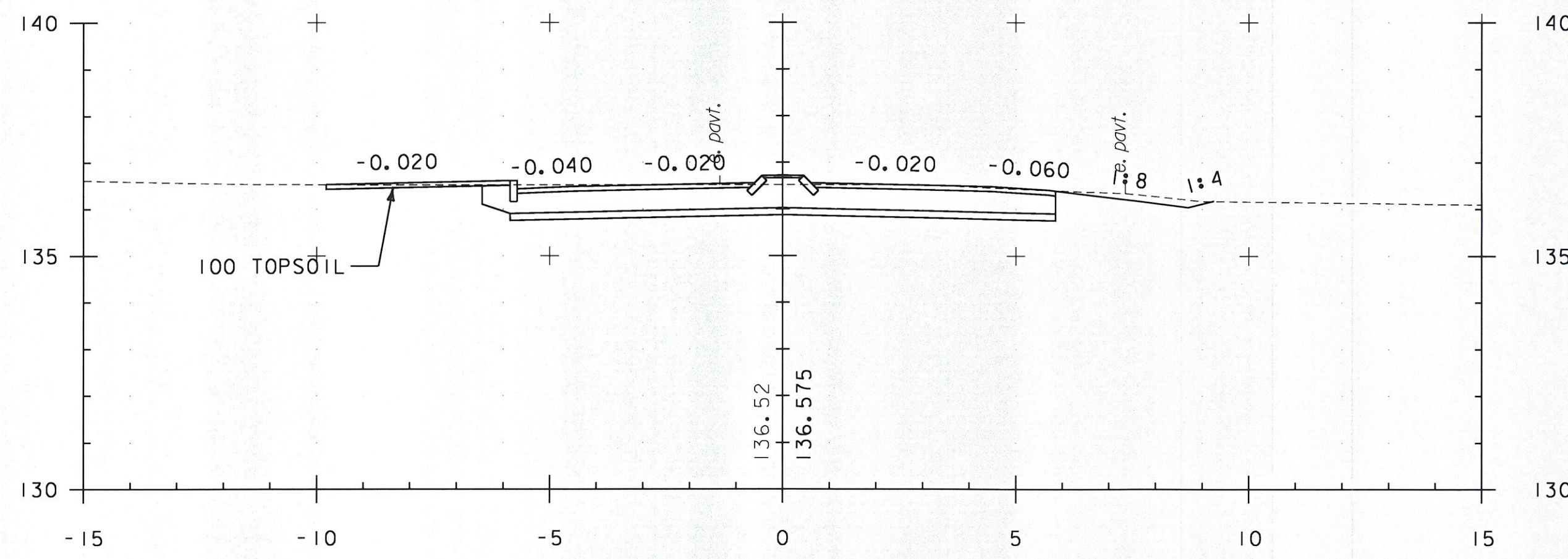


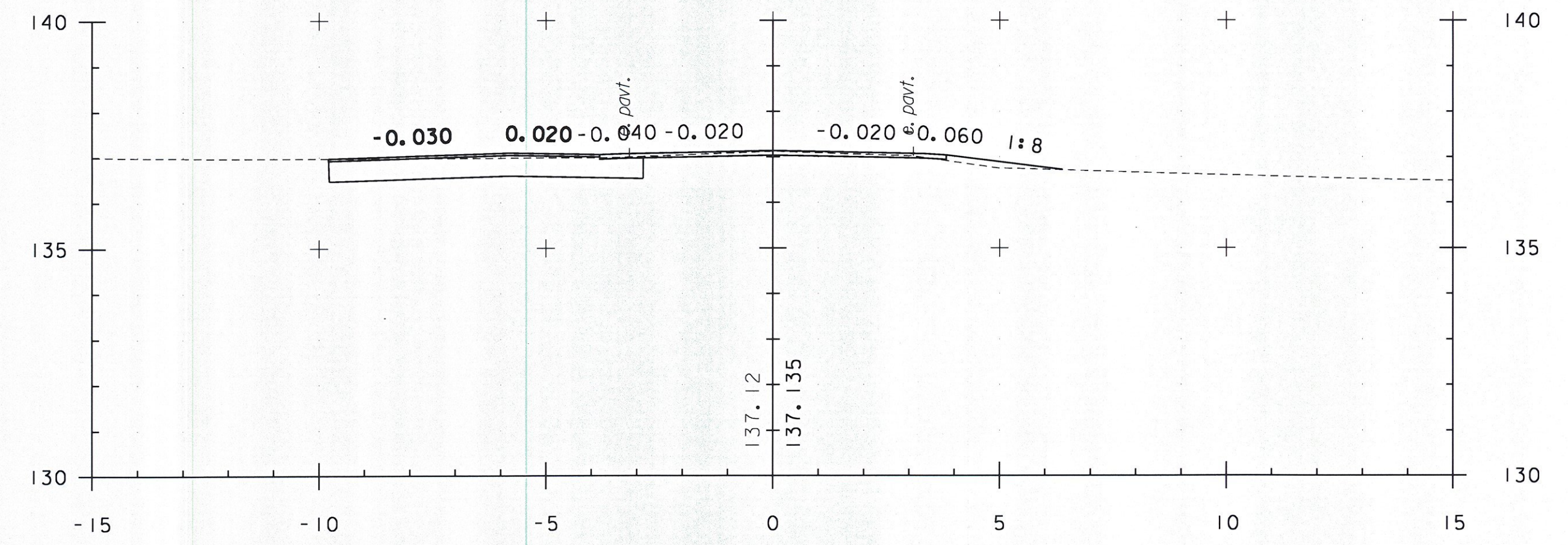
I+040.0  
DRIVE RT



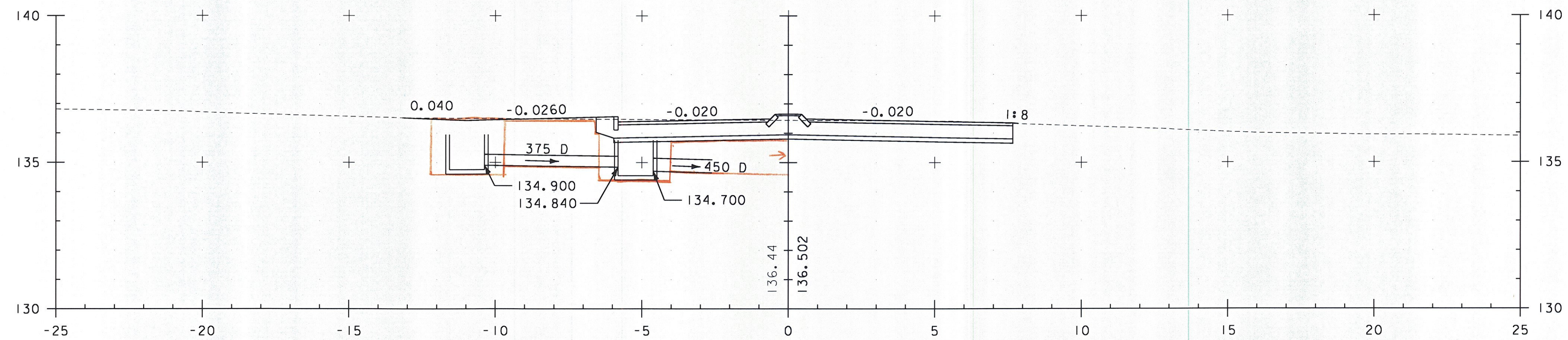
I+080.0



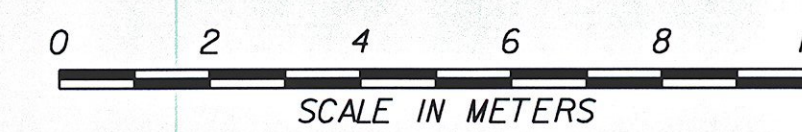
I+020.0



I+060.0  
DRIVE LT



I+015.0



McCONNELL ROAD

PROJECT NAME: BRANDON  
PROJECT NUMBER: NH 019-3(495)

FILE NAME: zb008s5-xs300.dgn	PLOT DATE: 9/3/2009
PROJECT LEADER: CRB	DRAWN BY: NLL
DESIGNED BY: PTS	CHECKED BY: DAM
CLD 02-0149	SHEET 545 OF 546