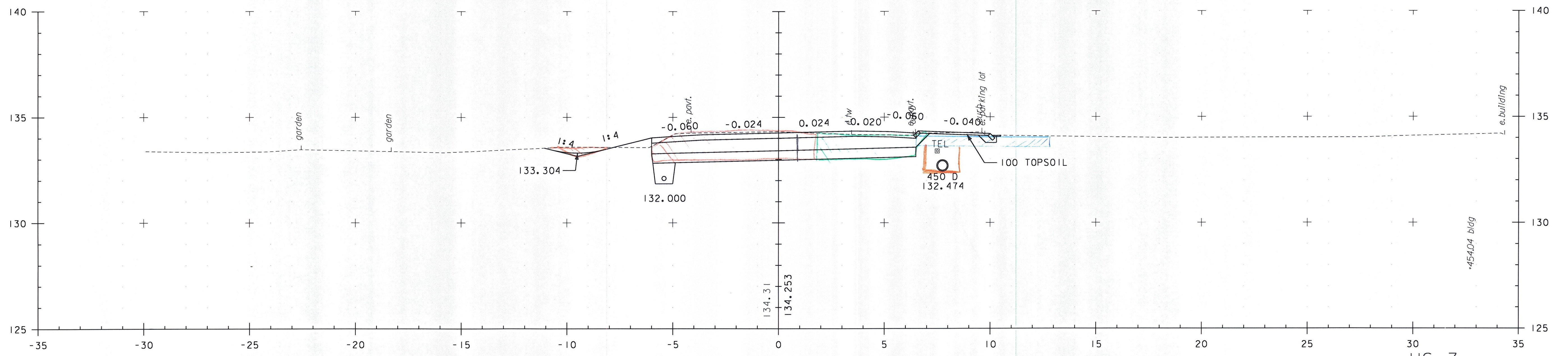
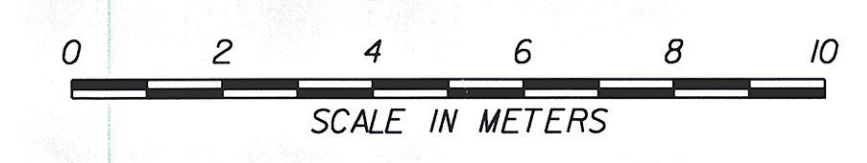


17+465.0
DRIVE RT



17+460.0

US 7



PROJECT NAME: BRANDON	PLOT DATE: 9/3/2009
PROJECT NUMBER: NH 019-3(495)	DRAWN BY: NLL
FILE NAME: zb008s5-xs038.dgn	CHECKED BY: DAM
PROJECT LEADER: CRB	SHEET 419 OF 546
DESIGNED BY: PTS	
CLD 02-0149	