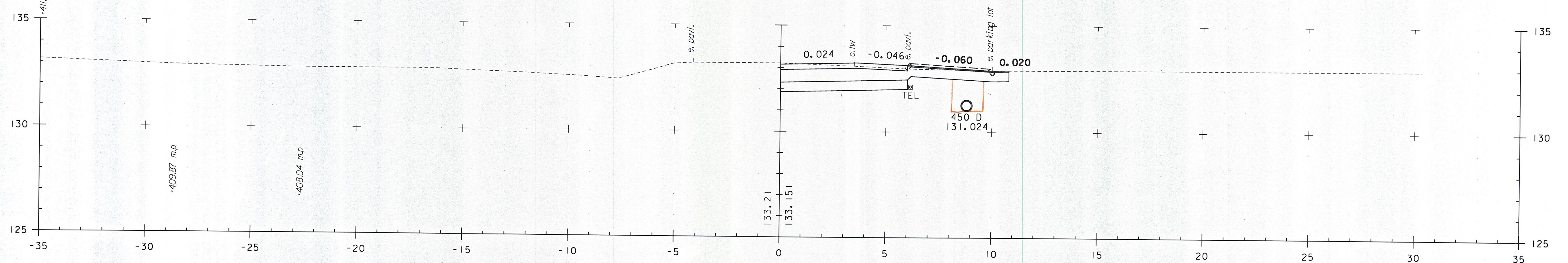
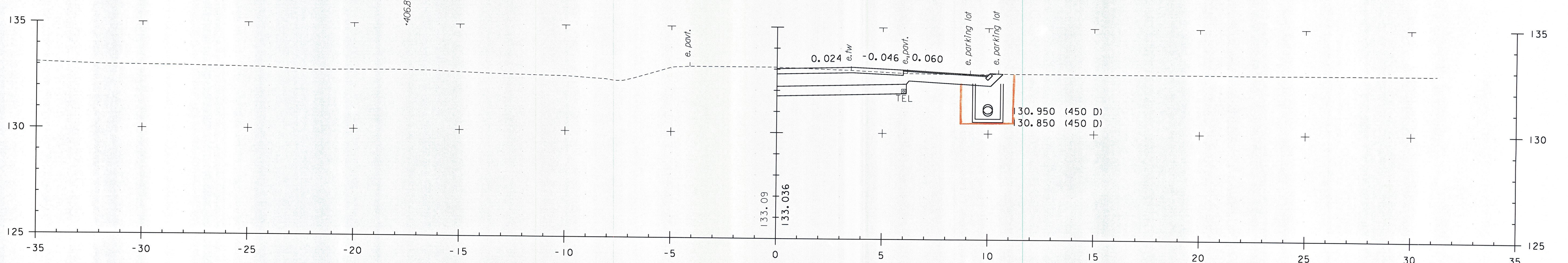


17+420.0
DRIVE LT

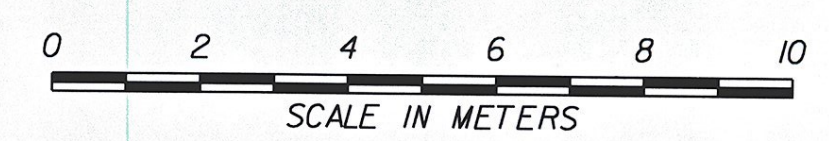


17+410.0
DRIVE RT



17+404.5

US 7



PROJECT NAME: BRANDON	PLOT DATE: 9/3/2009
PROJECT NUMBER: NH 019-3(495)	DRAWN BY: NLL
FILE NAME: zb008s5-xs036.dgn	CHECKED BY: DAM
PROJECT LEADER: CRB	SHEET 417 OF 546
DESIGNED BY: PTS	
CLD 02-0149	