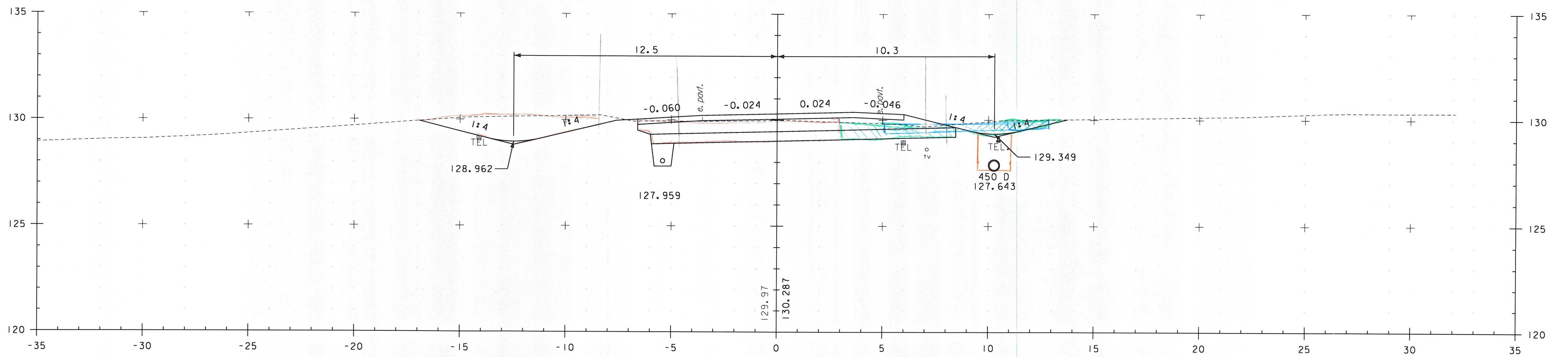
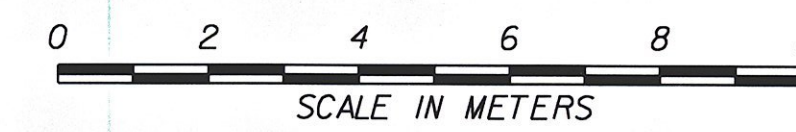


17+300.0



17+280.0

US 7



PROJECT NAME:	BRANDON	PLOT DATE:	9/3/2009
PROJECT NUMBER:	NH 019-3(495)	DRAWN BY:	NLL
FILE NAME:	zb008s5-xs032.dgn	CHECKED BY:	DAM
PROJECT LEADER:	CRB	SHEET	413 OF 546
DESIGNED BY:	PTS		
CLD 02-0149			