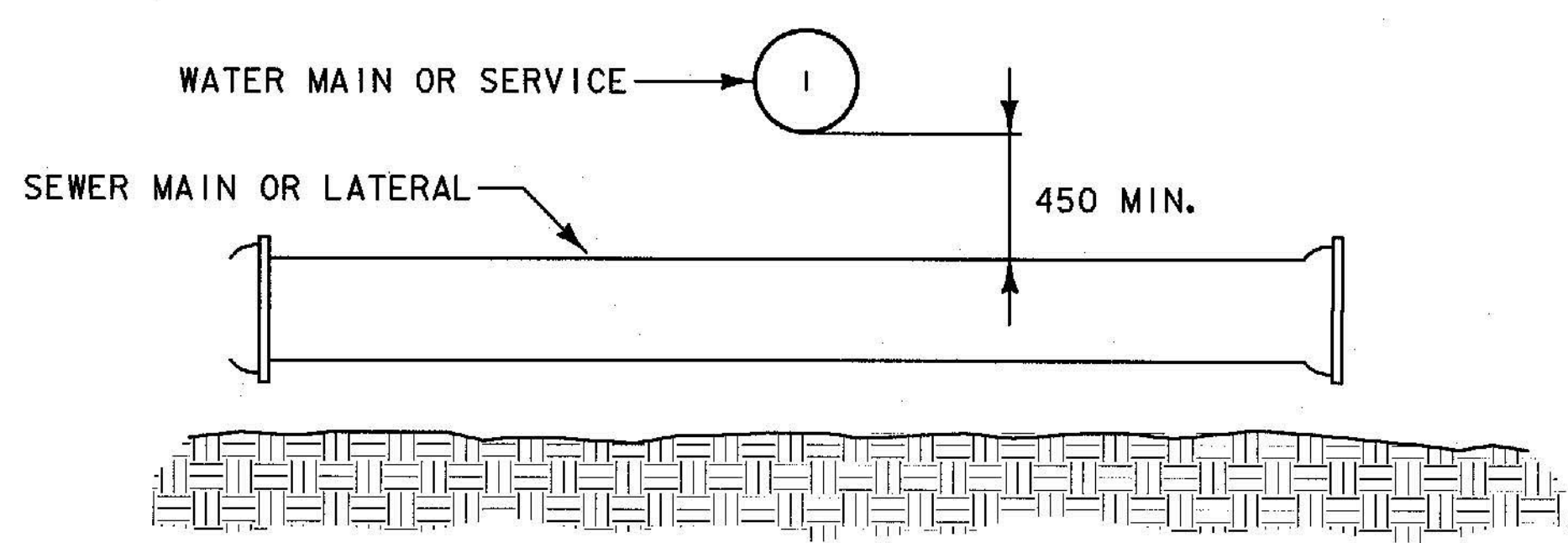


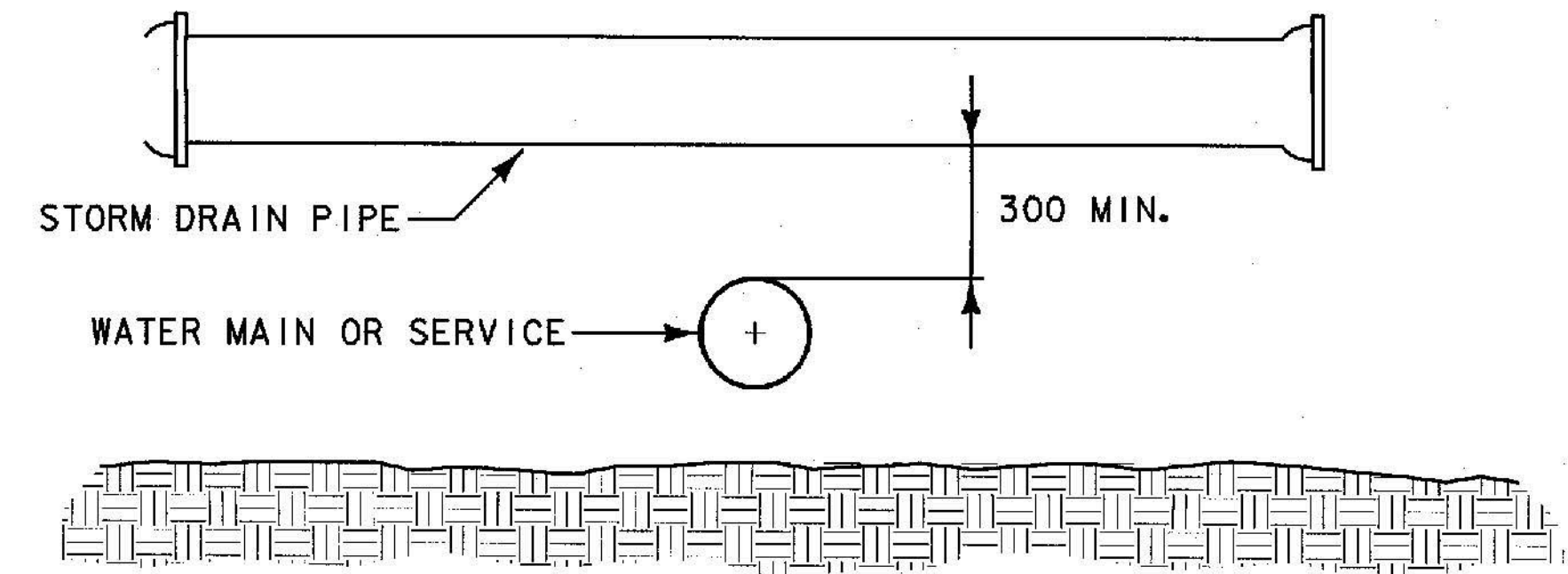
**PARALLEL INSTALLATION**

1. WATER MAINS SHALL BE ADJUSTED AS NEEDED TO AVOID DRAINAGE AND SEWER PIPES. SEE PLANS, PROFILES AND CROSS SECTIONS FOR THE LOCATIONS OF UNDERGROUND FEATURES.
2. INSULATION SHALL BE PROVIDED WHERE WATER MAIN EXTENDS WITHIN 1.2 m OF DRAINAGE PIPE OR MANHOLE FEATURES. INSULATION SHALL BE STYROFOAM - 40 HIGH LOAD 2 INCH EXTRUDED POLYSTYRENE CONFORMING TO ASTM C578-TYPE 6, OR APPROVED EQUIVALENT.



**MAIN CROSSINGS**

WHERE CROSSING IS UNAVOIDABLE, THE SEWER LINE SHALL BE CONSTRUCTED TO NORMAL WATER LINE STANDARDS FOR A TOTAL OF 3 PIPE LENGTHS AND PRESSURE TESTED TO 50 PSI FOR 15 MINUTES PRIOR TO BACKFILLING. NO LEAKAGE SHALL BE ALLOWED FOR THIS TEST.

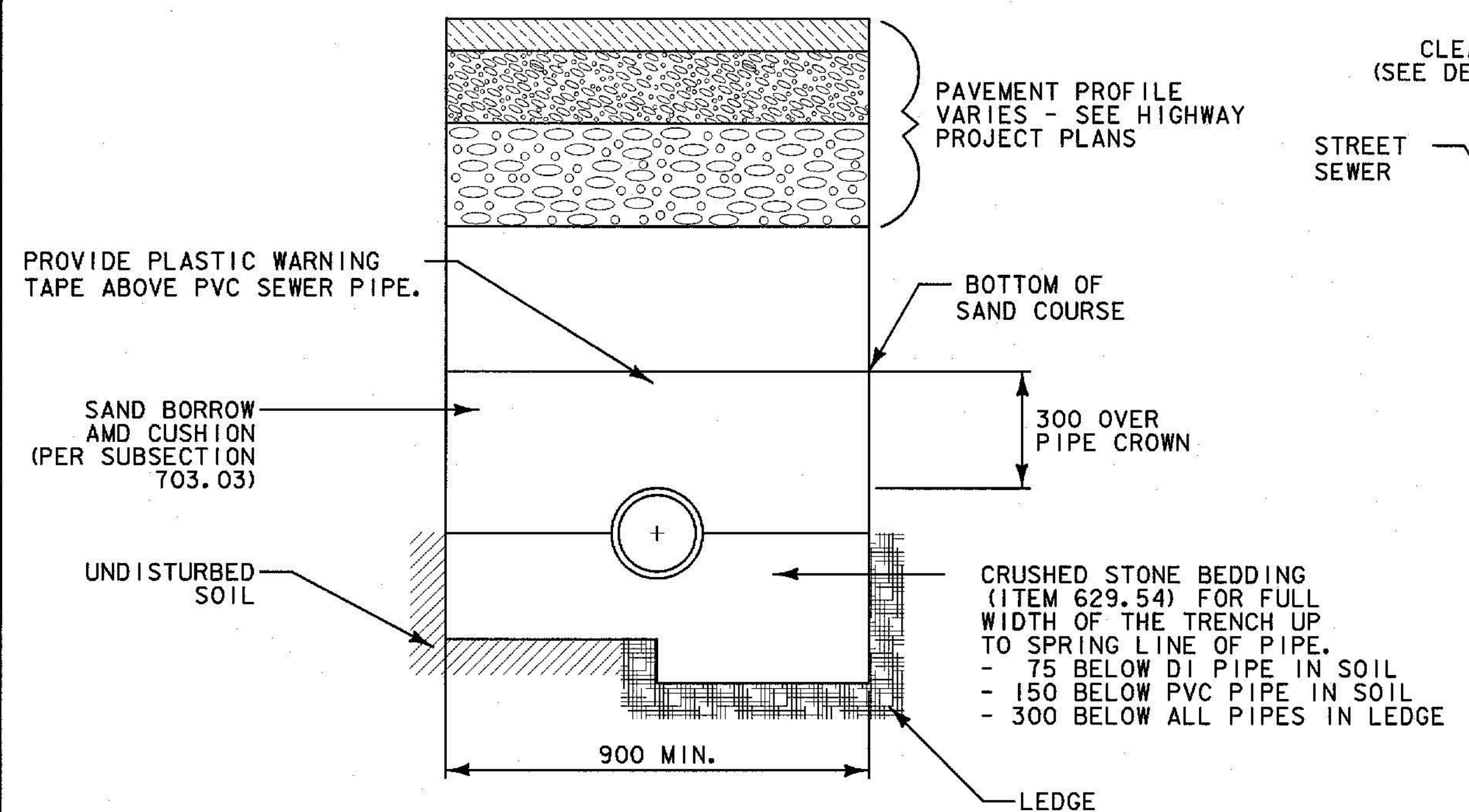


**MAIN CROSSINGS**

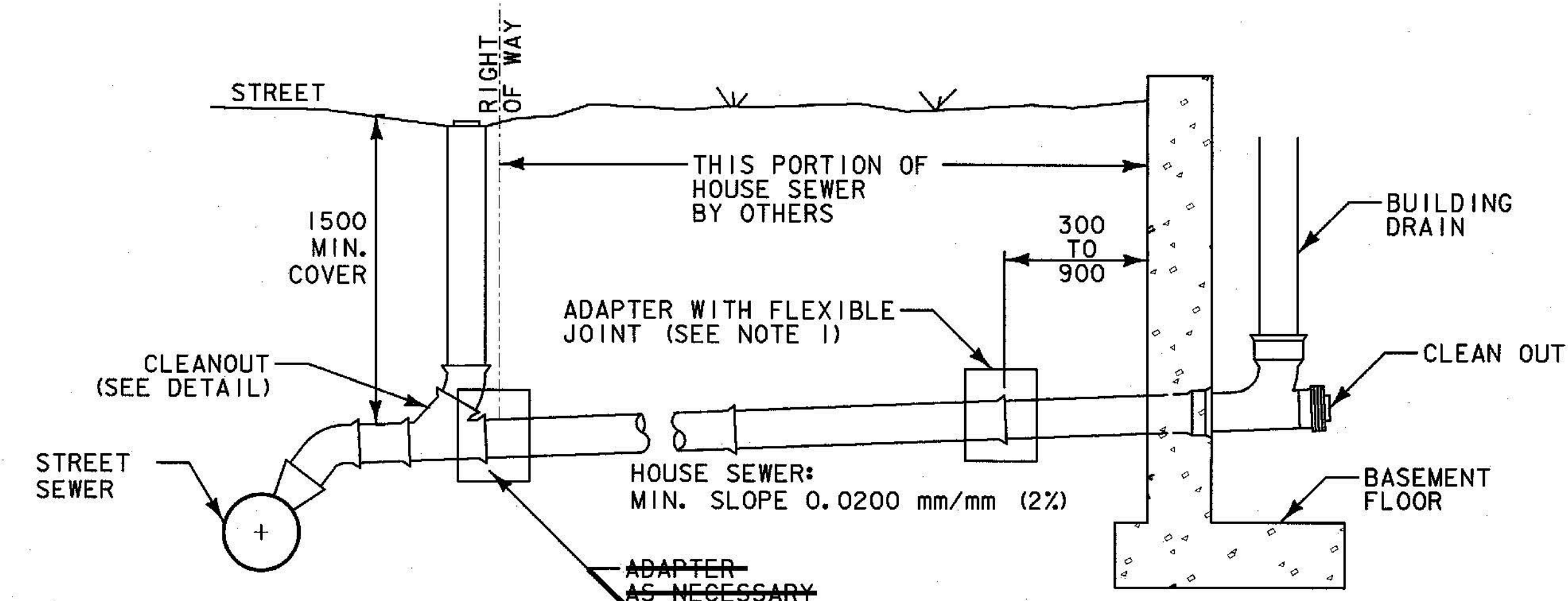
INSULATION SHALL BE PROVIDED WHERE WATER MAIN EXTENDS WITHIN 1.2 m OF DRAINAGE PIPE OR MANHOLE FEATURES.

**WATER MAIN - SEWER MAIN SEPARATION**

**WATER MAIN - STORM DRAIN SEPARATION**



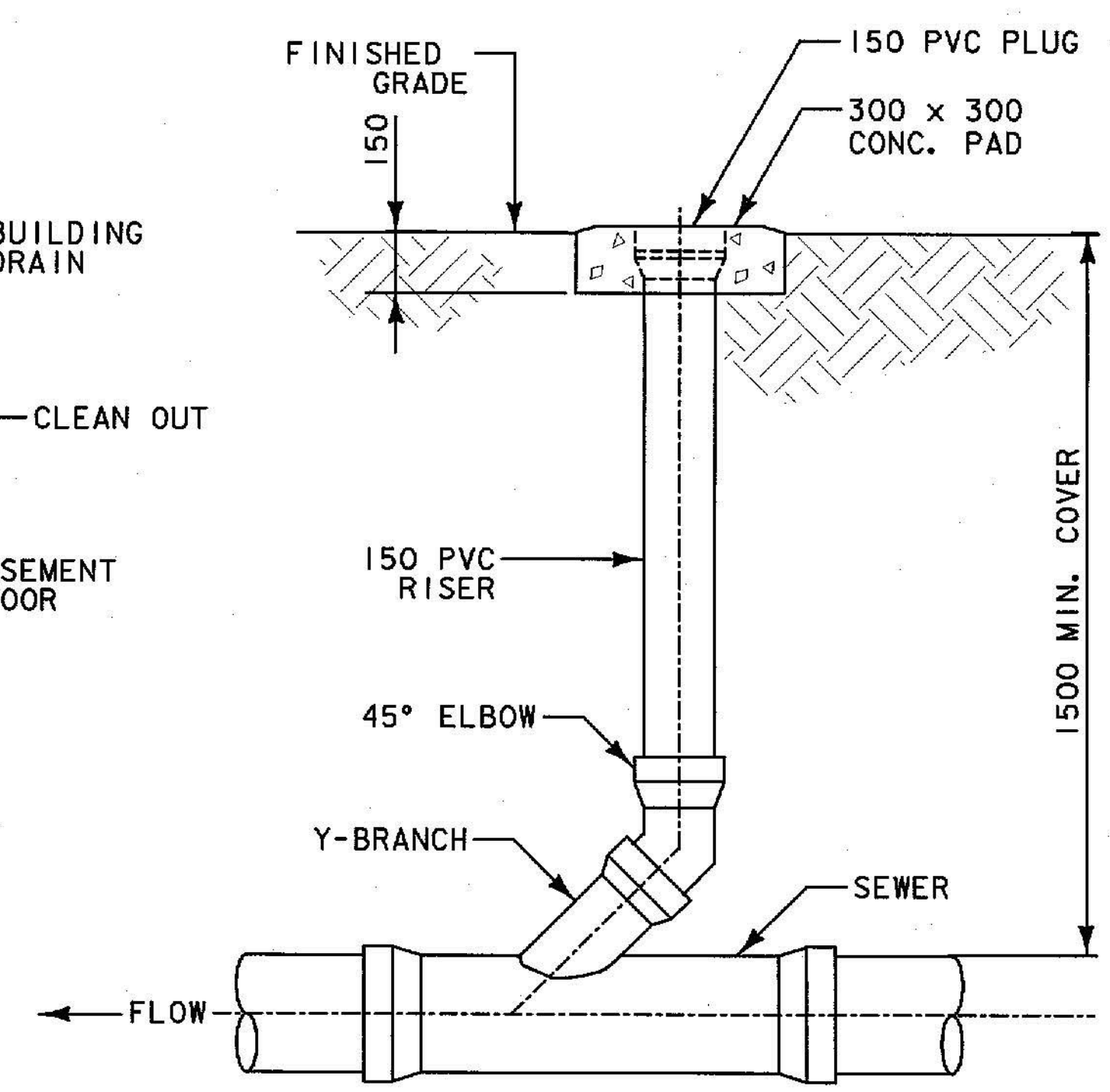
**TYPICAL TRENCH DETAIL**



**DO NOT CONNECT EXISTING SERVICE UNDER NH 019-3(495)**

1. JOINTS SHALL HAVE A NEOPRENE OR ELASTOMERIC GASKET FOR WATERTIGHTNESS. ALL JOINTS SHALL BE PROPERLY MATCHED WITH THE PIPE MATERIALS USED. WHERE DIFFERING MATERIALS ARE TO BE CONNECTED, AS AT THE STREET SEWER "Y" OR AT THE FOUNDATION WALL, APPROPRIATE ADAPTERS SHALL BE USED.
2. PROVIDE WYE TO MATCH EACH EXISTING HOUSE SEWER.

**BUILDING SEWER CONNECTION**



**SEWER CLEANOUT**

3	AUG. 2009	MODIFIED TO ADDRESS CONTRACT ADMINISTRATIONS COMMENTS
2	MAR. 2009	BRANDON SEGMENT 5 PLAN REVISIONS
1	JAN. 2006	MODIFIED TO ADDRESS APRIL 18, 2005 WATER SUPPLY DIVISION COMMENTS

**WATER/SEWER DETAILS**

PROJECT NAME:	BRANDON	PLOT DATE:	1/9/2006
PROJECT NUMBER:	NH 019-3(496)	DRAWN BY:	KLS
FILE NAME:	zb008s6-swrdet.dgn	CHECKED BY:	DAL
PROJECT LEADER:	HJM	SHEET	143 OF 546
DESIGNED BY:	DAL	DEC SHEET	164 OF 437

