

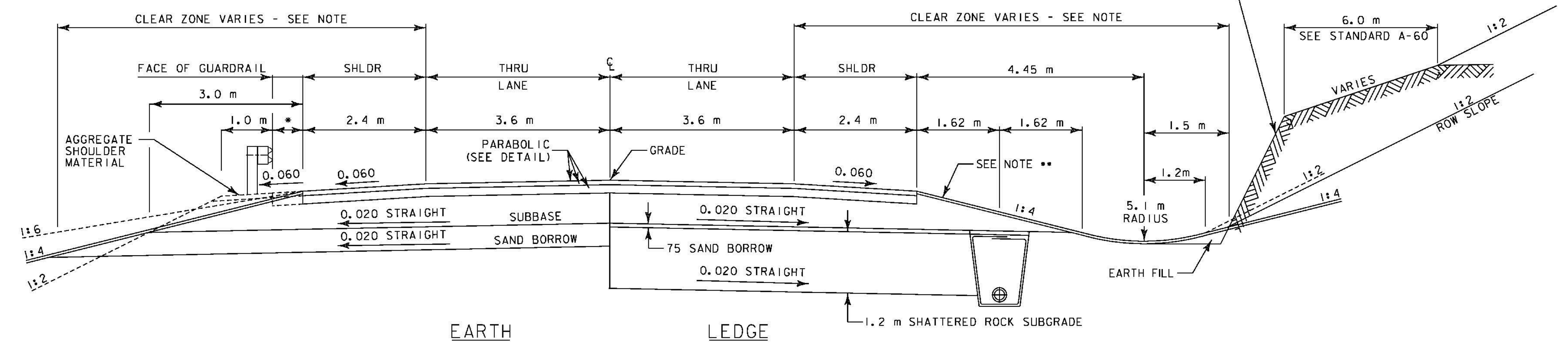
MATERIAL ITEM	THICKNESS	TOLERANCE
PAVEMENT (TOTAL DEPTH ALL LAYERS)		+/- 5mm
SUBBASE (TOTAL DEPTH ALL LAYERS)		+/- 30mm
SAND BORROW (TOTAL DEPTH ALL LAYERS)		+/- 30mm

90 BITUMINOUS CONCRETE PAVEMENT (TYPE 111S) (2-45 mm LIFTS)
 160 BITUMINOUS CONCRETE PAVEMENT (TYPE 1S) (2-80 mm LIFTS)
 590 SUBBASE OF DENSE GRADED CRUSHED STONE
 450 SAND BORROW

CLEAR ZONE (MIN.):
 STA 16+460 TO STA 20+070 - 7.2 m
 STA 20+070 TO STA 20+770 - 4.9 m
 AREAS WITH GUARDRAIL - 1.0m BEHIND GUARDRAIL

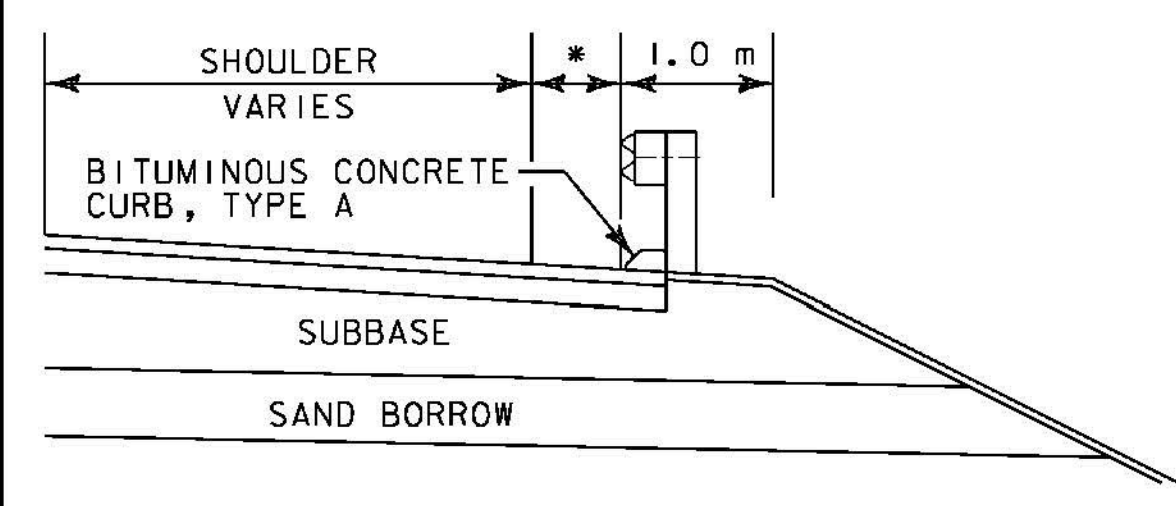
*600 mm GUARDRAIL BUFFER TYP.
 UNLESS SHOWN OTHERWISE ON THE PLANS.

**50 TOPSOIL (RURAL AREA SEED FORMULA)
 100 TOPSOIL FOR GRASS ISLANDS & LAWNS
 (URBAN AREA SEED FORMULA) OR AS
 DIRECTED BY THE ENGINEER.



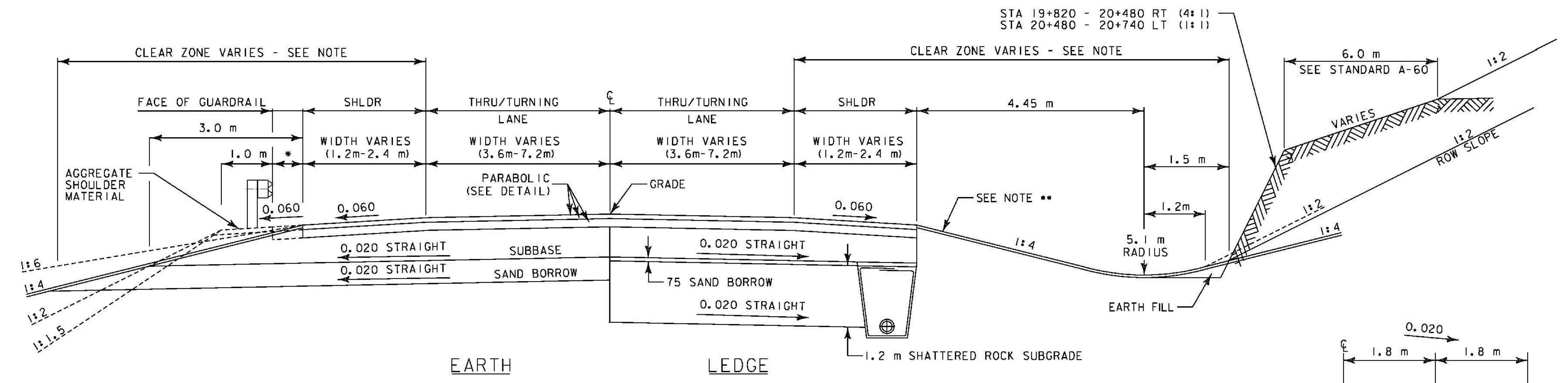
US 7 - NORMAL SECTION (2 LANE)

(NOT TO SCALE)



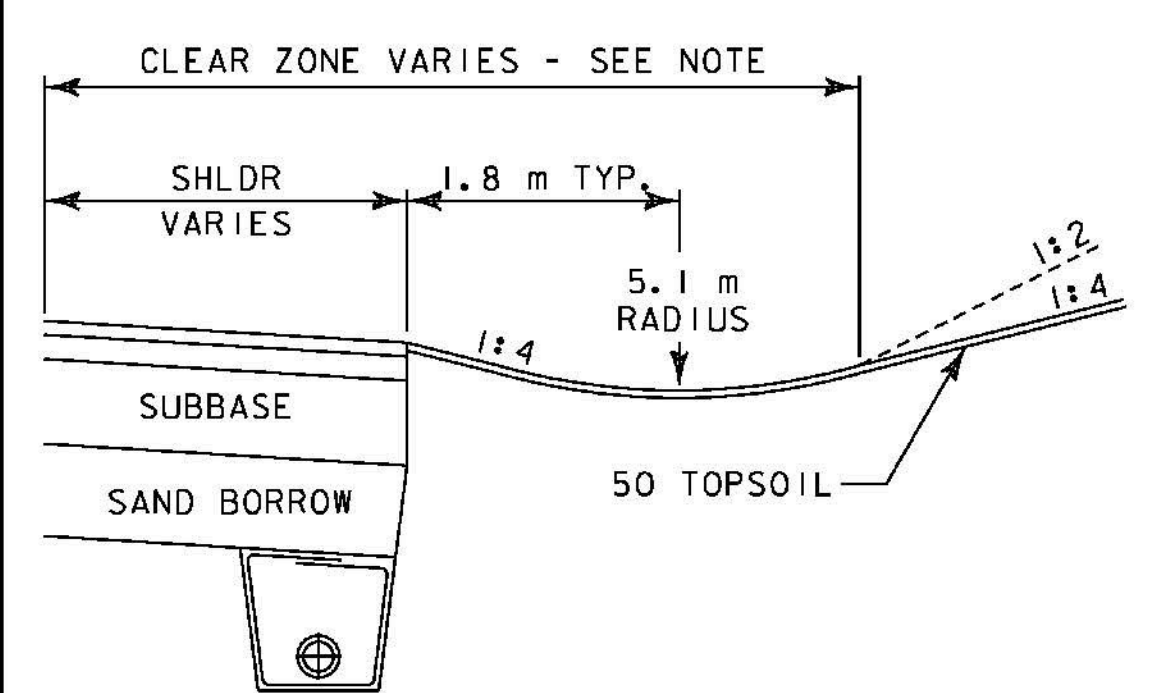
CURBED GUARDRAIL DETAIL

(NOT TO SCALE)



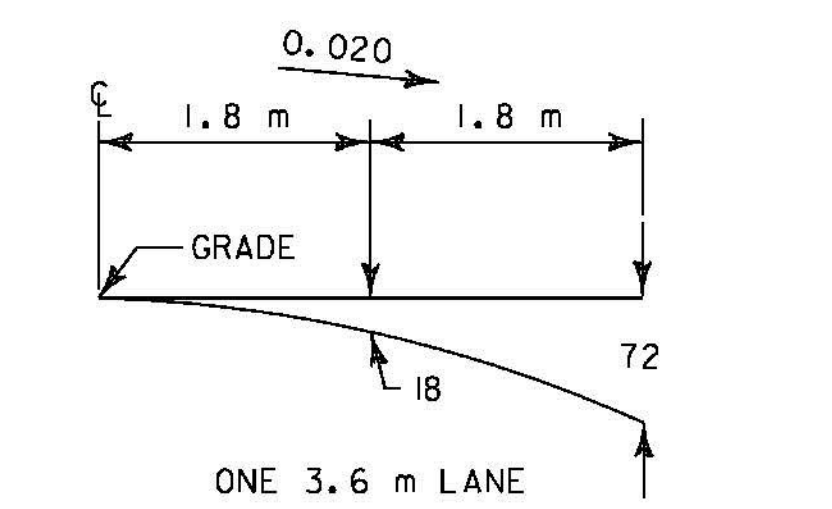
US 7 - NORMAL SECTION (MULTI LANE)

(NOT TO SCALE)



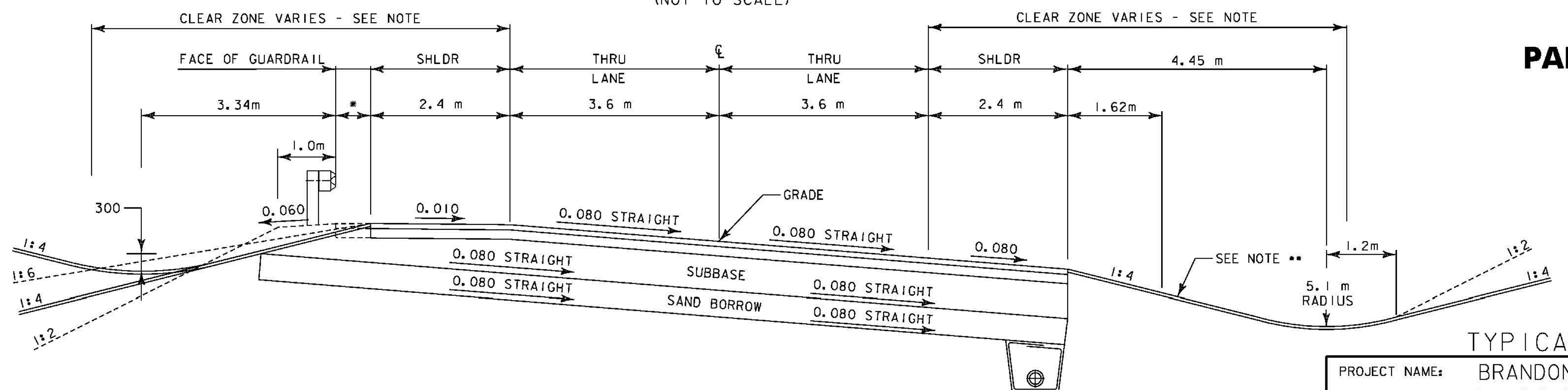
MODIFIED DITCH DETAIL

(NOT TO SCALE)



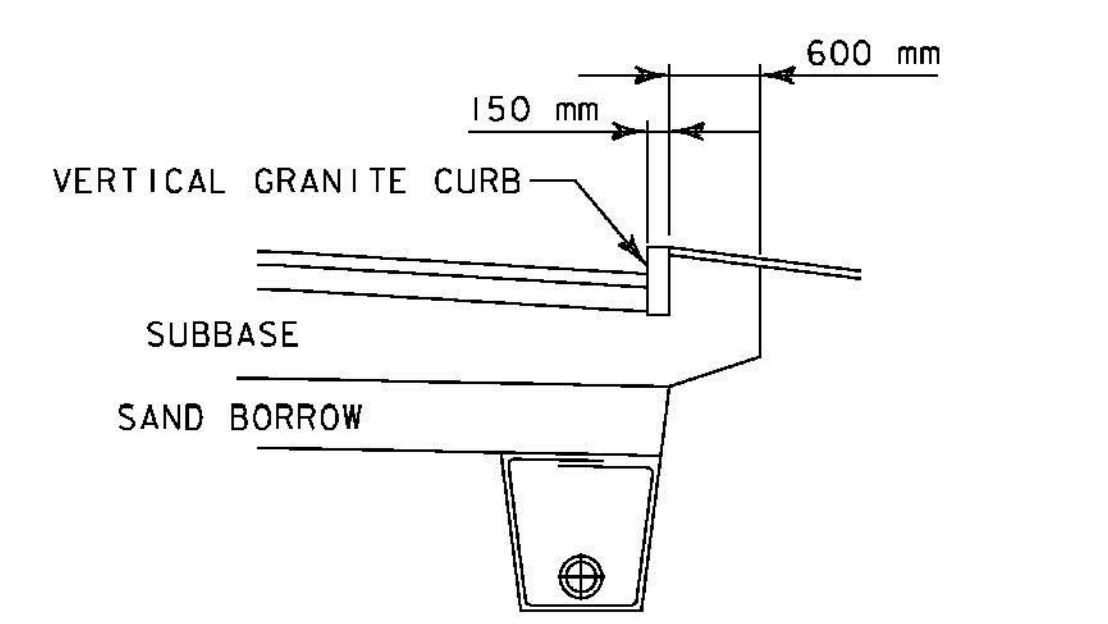
PARABOLIC DETAIL

(NOT TO SCALE)



US 7 - MAXIMUM BANKED SECTION 0.080

(NOT TO SCALE)



CURB DETAIL

(NOT TO SCALE)

PROJECT NAME:	BRANDON	PLOT DATE:	9/3/2009
PROJECT NUMBER:	NH 019-3(495)	DRAWN BY:	HJC
FILE NAME:	zb008s5-frm03.dgn	CHECKED BY:	PTS
PROJECT LEADER:	CRB	SHEET	3 OF 546
DESIGNED BY:	DAM		
CLD 02-049			