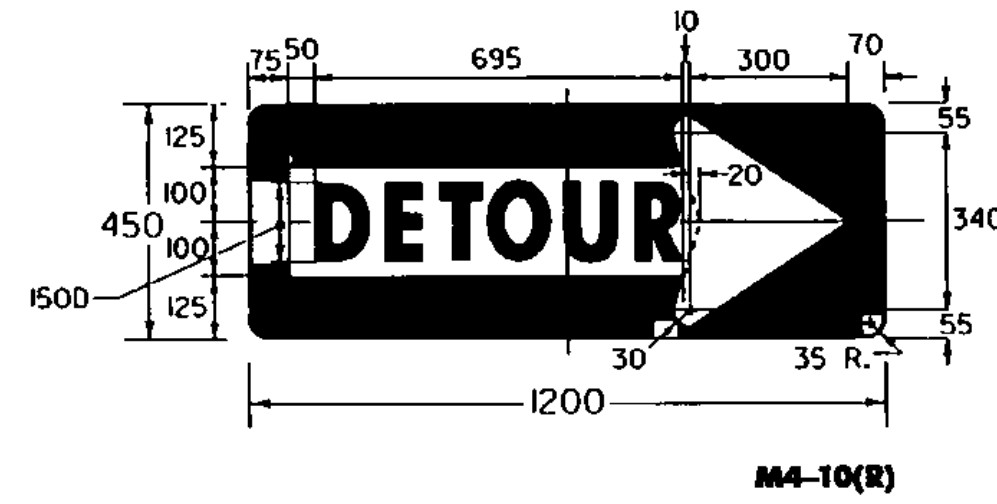
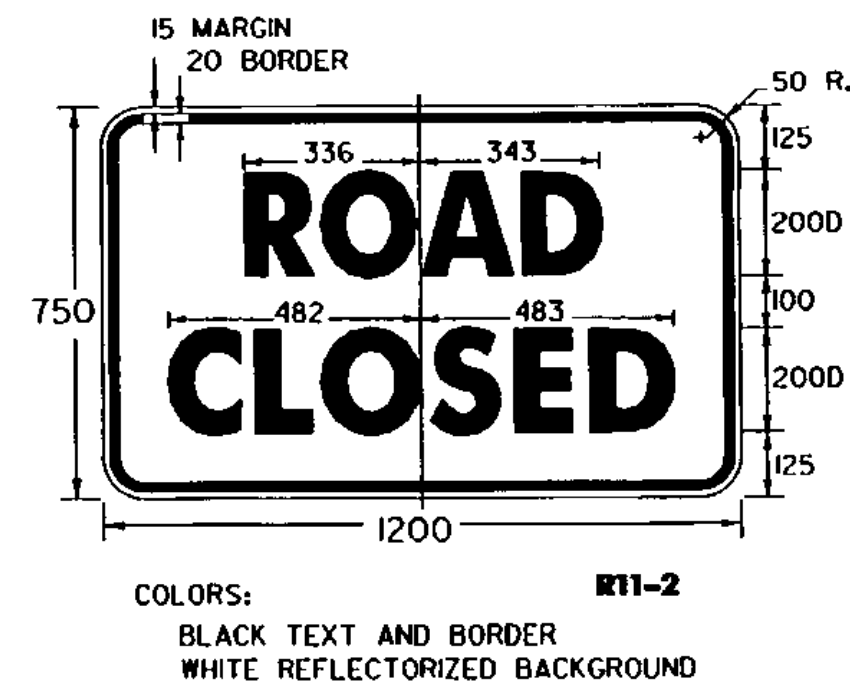


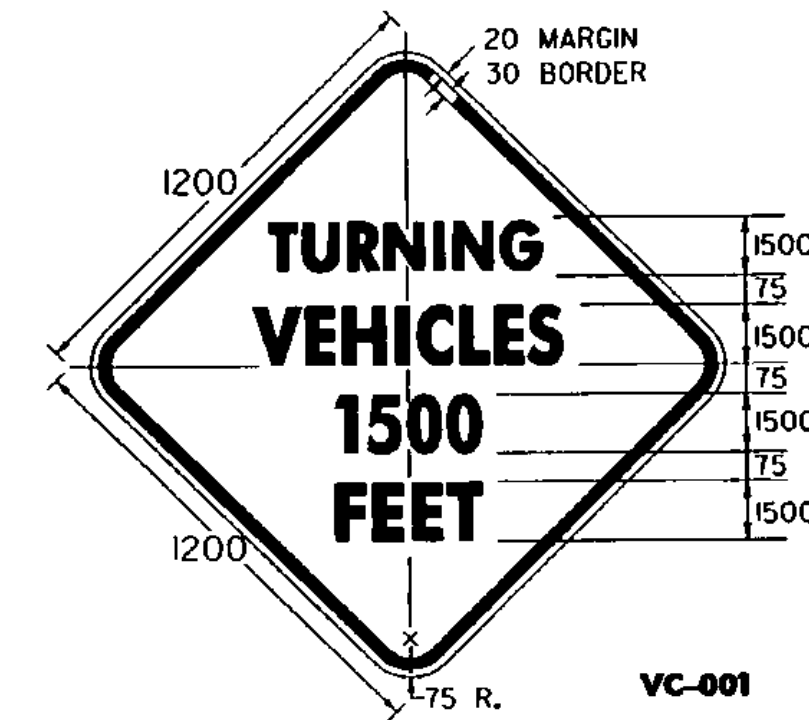
G20-4



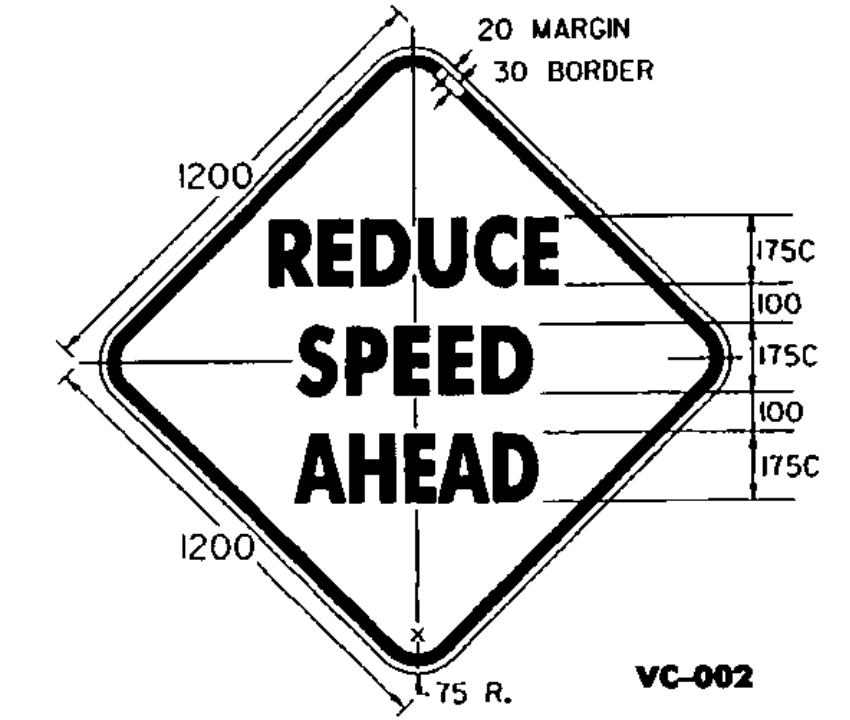
M4-10(R)



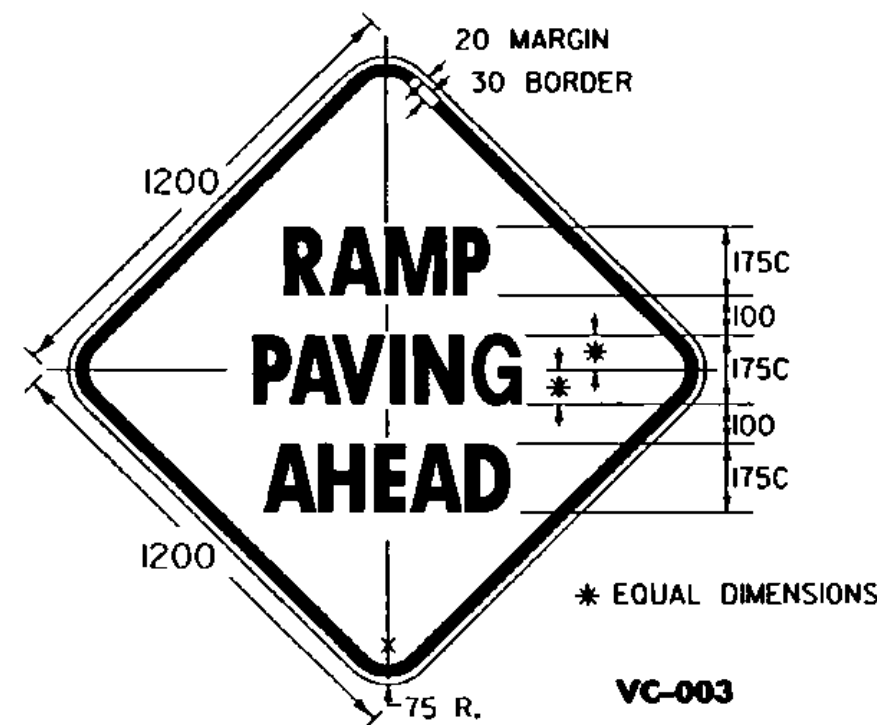
R11-2  
COLORS:  
BLACK TEXT AND BORDER  
WHITE REFLECTORIZED BACKGROUND



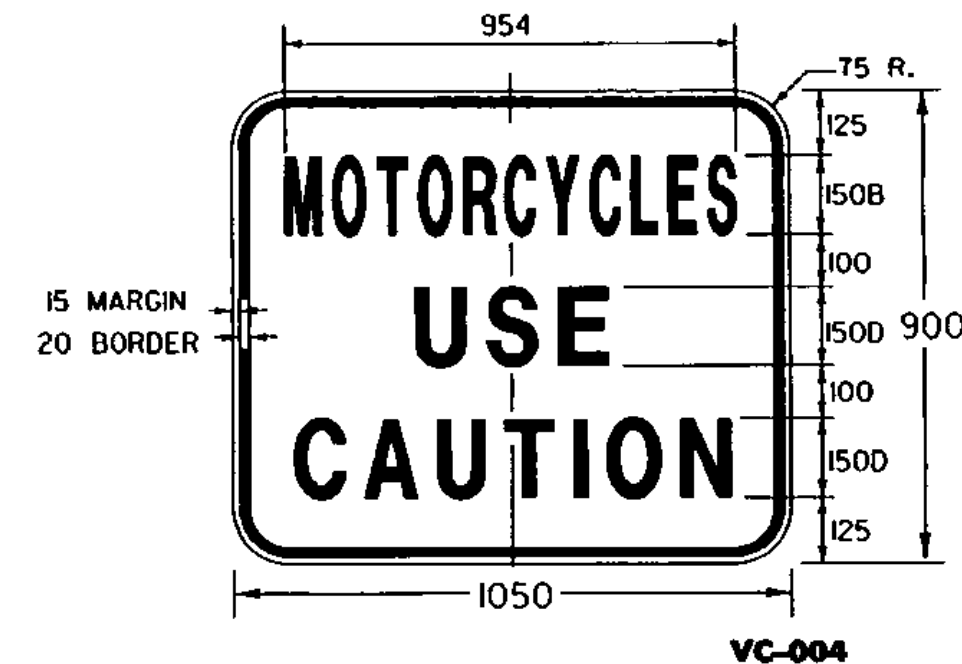
VC-001



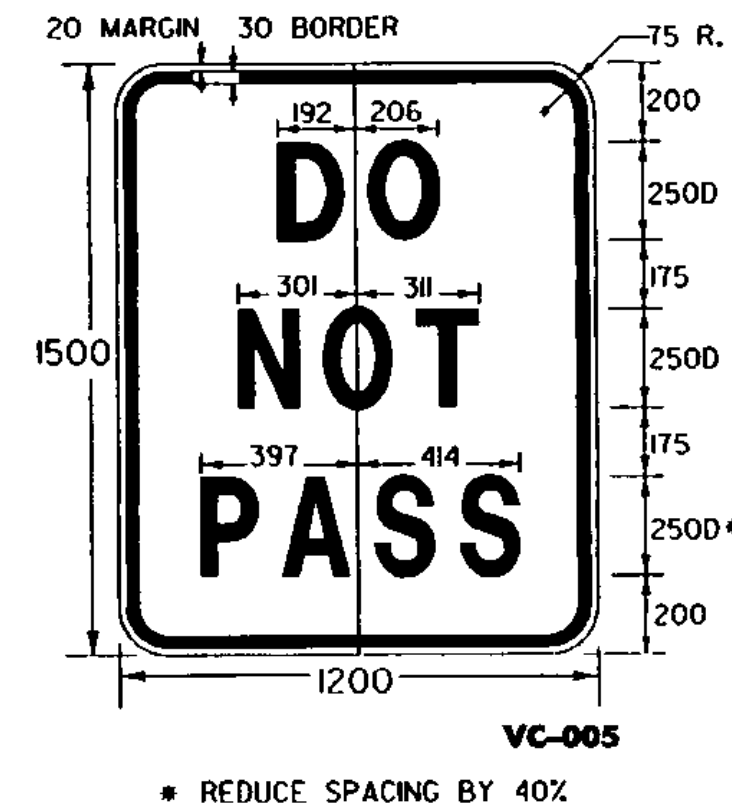
VC-002



VC-003

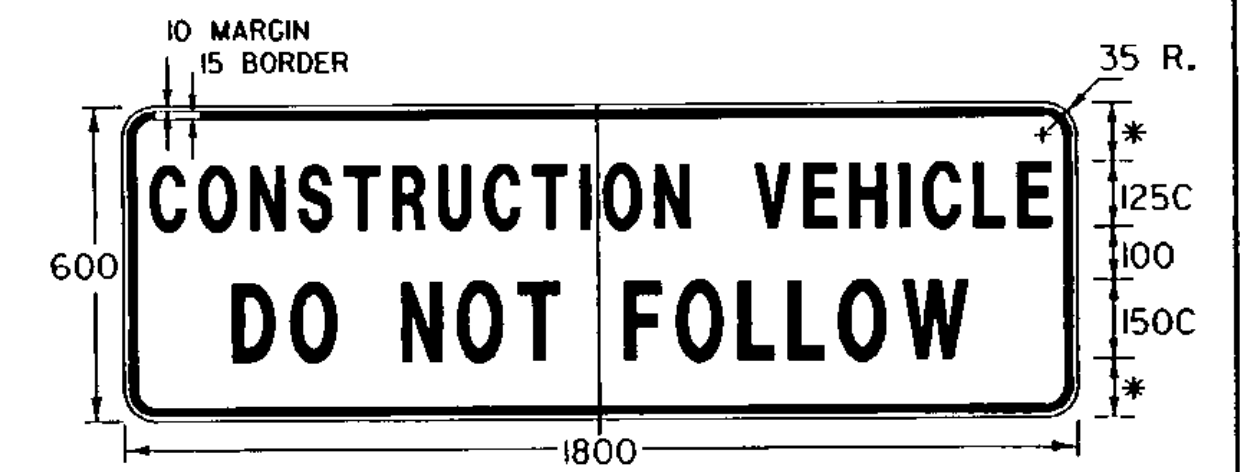


VC-004



VC-005

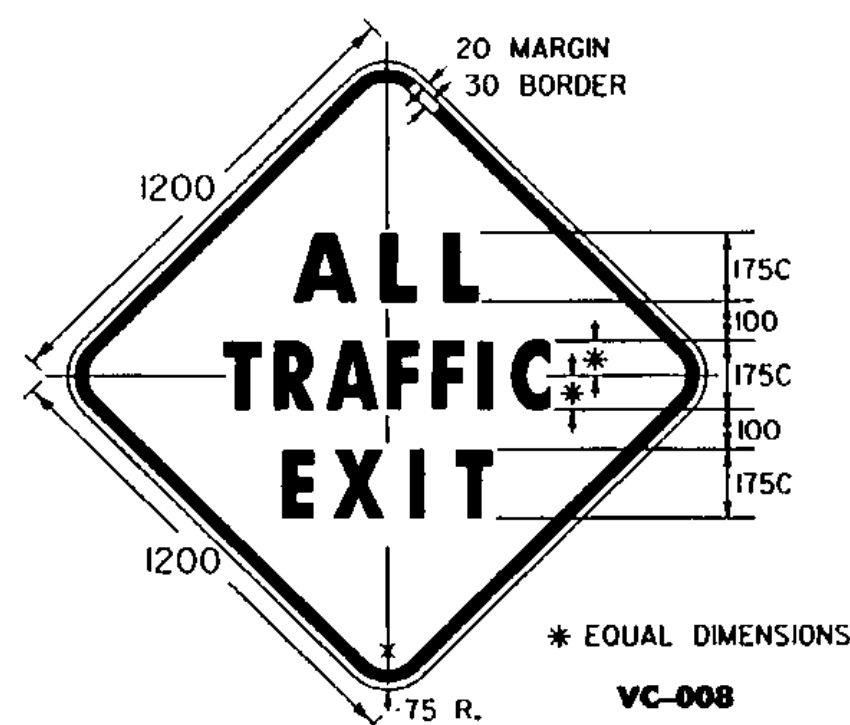
\* REDUCE SPACING BY 40%



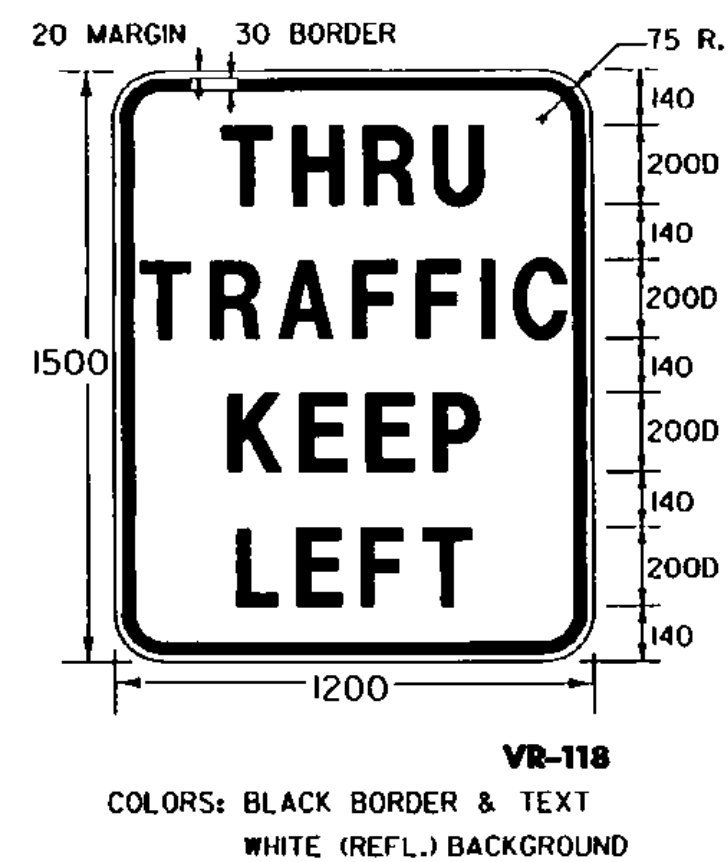
VC-007

\* EQUAL DIMENSIONS

IT IS SUGGESTED THAT THIS SIGN BE DESIGNED TO FOLD, DOWN OR ACROSS, OR BE COVERED, OR BE REMOVED WHEN NOT IN USE. THE SIGN SHOULD ALSO BE MOUNTED AS TO NOT INTERFERE WITH THE VISIBILITY OF DIRECTIONAL OR TAIL LIGHTS AS REQUIRED BY LAW.

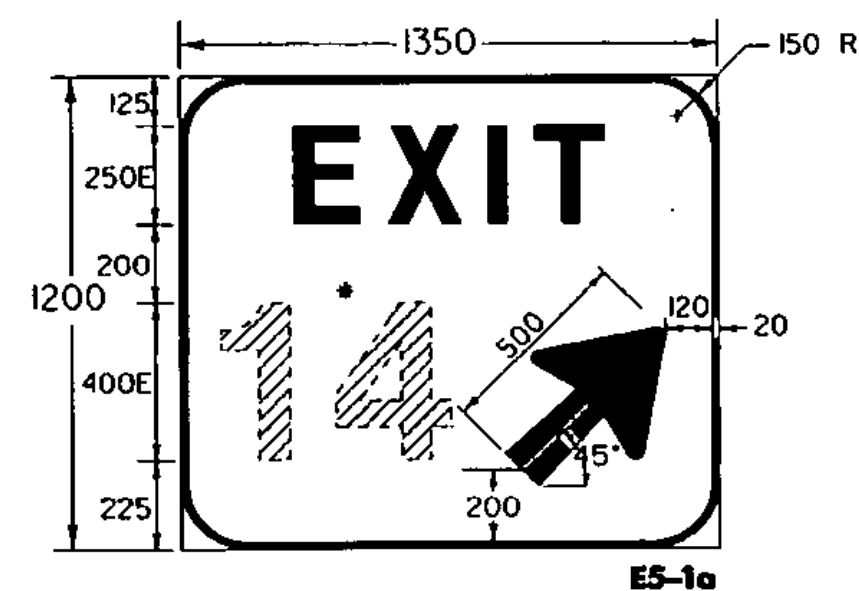


VC-008



VR-118

COLORS: BLACK BORDER & TEXT  
WHITE (REFL.) BACKGROUND



E5-1a

\* EXIT NUMBER AS PER PLANS  
OPTICALLY SPACED

COLORS:  
BACKGROUND - GREEN (REFL.)  
BORDER, ARROW AND LEGEND - WHITE (REFL.)

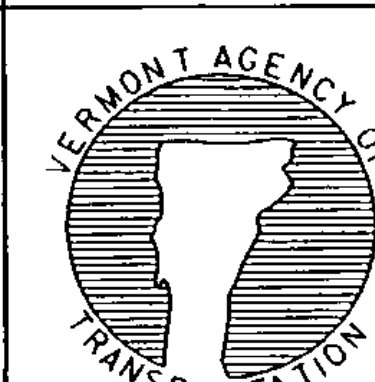
**NOTES**

SEE STANDARD SHEET E-100M FOR NOTES AND TEXT DETAILS.  
COLORS FOR SIGNS SHOWN ON THIS SHEET SHALL BE BLACK TEXT, BORDER AND SYMBOLS SHALL BE ON A REFLECTORIZED ORANGE BACKGROUND OF TYPE II B OR TYPE III REFLECTIVE SHEETING, UNLESS OTHERWISE NOTED.

SIGNS USED ONLY FOR DAYTIME MAINTENANCE OPERATIONS DO NOT NEED TO BE REFLECTORIZED, HOWEVER, THESE SIGNS SHALL BE LABELED "DAYTIME USE ONLY" ON THE BACK OF THE SIGN PANEL WITH 75-mm SERIES C LETTERS.

OTHER STDS. E-100M  
REQUIRED:

NOTE: ALL DIMENSIONS ARE IN MILLIMETERS (mm) EXCEPT WHERE NOTED.



**M**etric  
STANDARD  
E-102AM

REVISIONS AND CORRECTIONS  
JUNE 13, 1997 - ORIGINAL APPROVAL DATE

APPROVED

*[Signature]*  
DIRECTOR OF ENGINEERING

*[Signature]*  
DIRECTOR OF CONSTRUCTION AND MAINTENANCE

CONSTRUCTION SIGN  
DETAILS