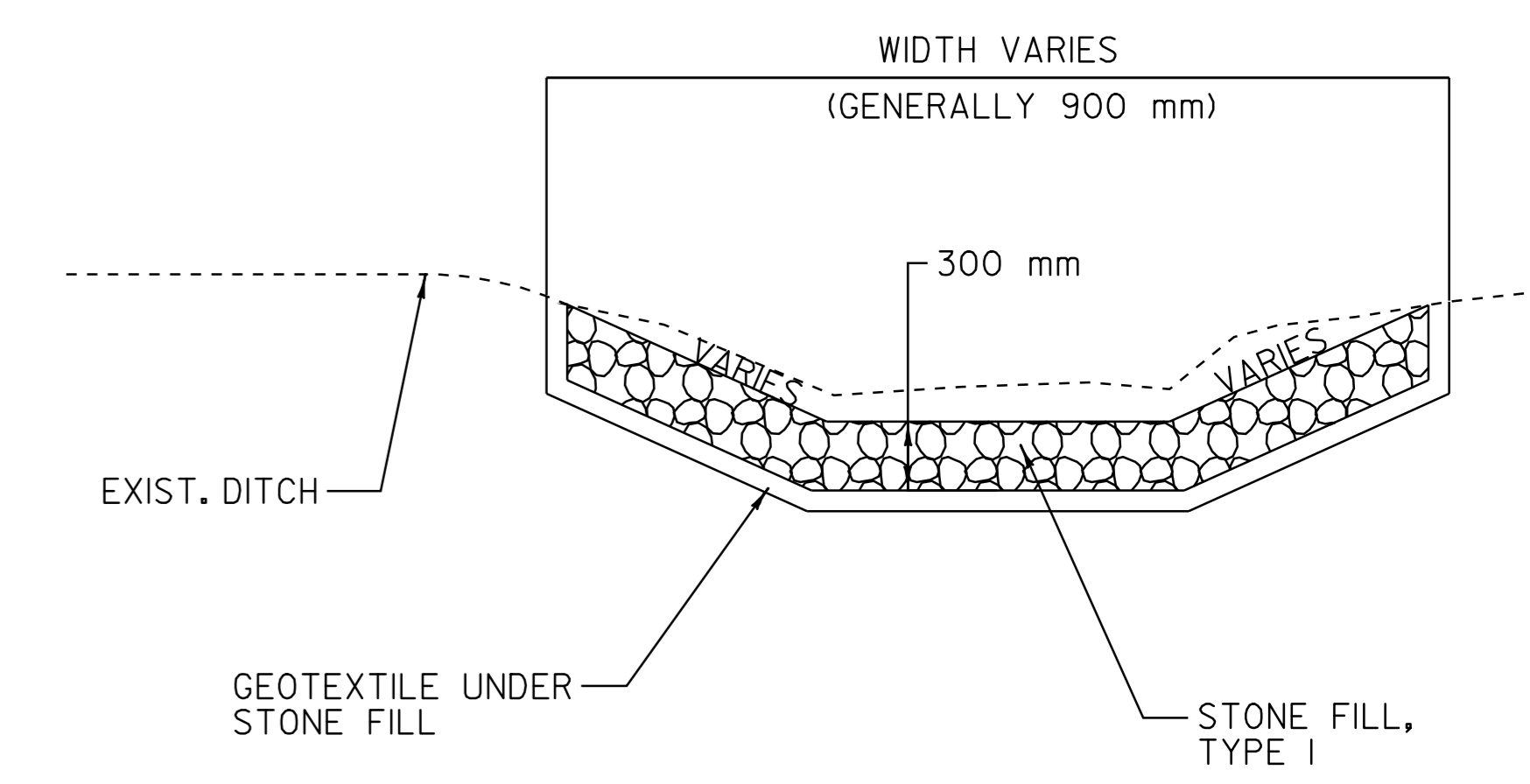


LOCATION				FEET OF DITCHING			MISC. ITEMS			REMARKS	LOCATION				FEET OF DITCHING			MISC. ITEMS			REMARKS						
SITE	STATION	STATION	POS.	PERCENT GRADE			613.10	649.31	653.21		STONE FILL TYP. I	GEO. UNDER STONE FILL	PERM. EROS. MATT.	SITE	STATION	STATION	POS.	PERCENT GRADE				613.10	649.31	653.21	STONE FILL TYP. I	GEO. UNDER STONE FILL	PERM. EROS. MATT.
				0-1	1-2.5	2.5-10												0-1	1-2.5	2.5-10							
US ROUTE 7, MIDDLEBURY				m	m	m	m3	m2	m2									m	m	m	m3	m2	m2				
1	8+599	8+657	LT	58																							
2	8+671	8+693	LT	22																							
3	8+698	8+826	LT	128																							
PROJECT SUBTOTALS				208																							
ROUNDINGS				2																							
PROJECT TOTALS				210																							



**DITCH DETAIL**

NOT TO SCALE

NOTES:  
 PIPE INLET AND OUTLET AREA'S AND DITCH CLEANING THROUGH PROJECT, SHALL BE PERFORMED AT LOCATIONS AND AS DIRECTED BY THE RESIDENT ENGINEER. PAYMENT WILL BE UNDER THE APPLICABLE EQUIPMENT RENTAL ITEM(S).

**DITCH CLEANING**

PROJECT NAME:	MIDDLEBURY	FILE NAME:	/pave/06b032/p06b032.dgn	PLOT DATE:	06-OCT-2008 13:1
PROJECT NUMBER:	NH 2603(I)S	PROJECT LEADER:	PTS	DRAWN BY:	MRS
		DESIGNED BY:	NLL	CHECKED BY:	NLL
		IPARM FILE NAME:	p06b032dc.i	SHEET	64 OF 103

NOTE: ALL DIMENSIONS IN METERS EXCEPT AS INDICATED