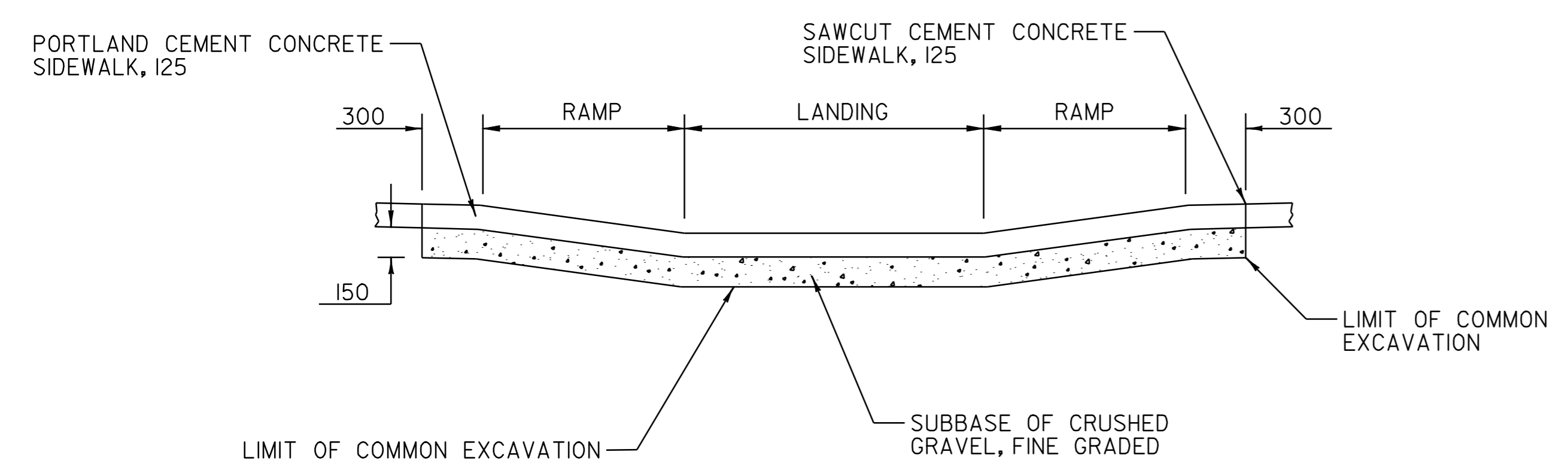
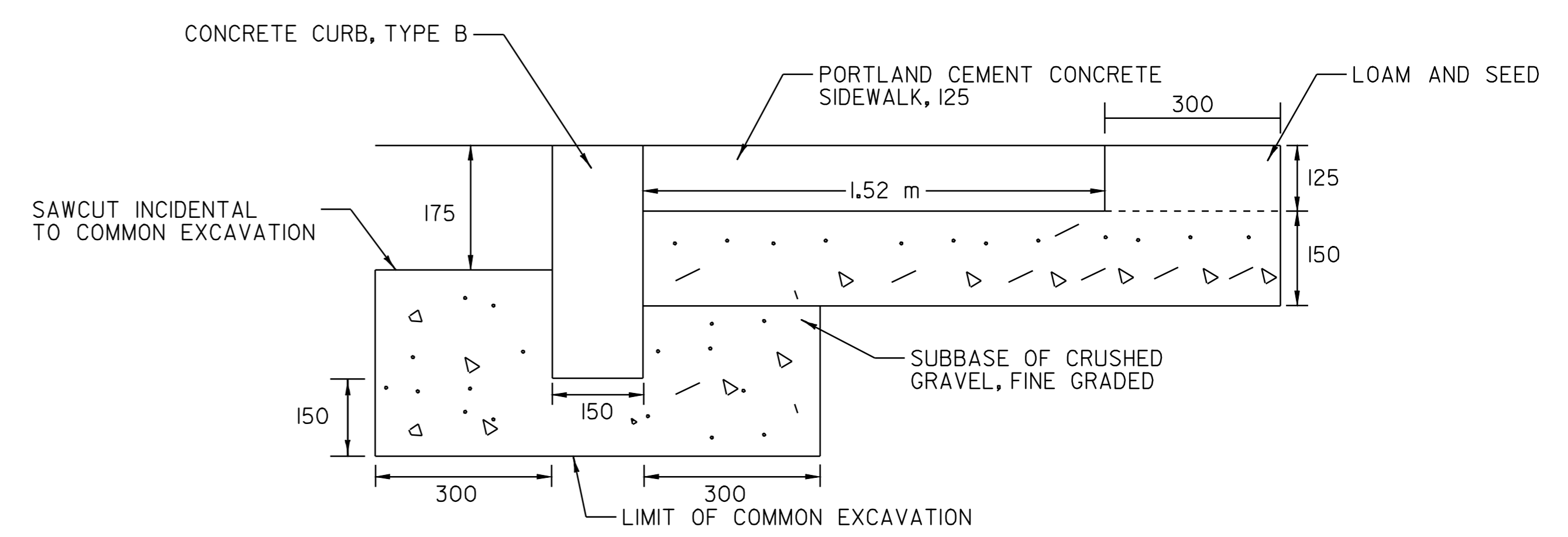


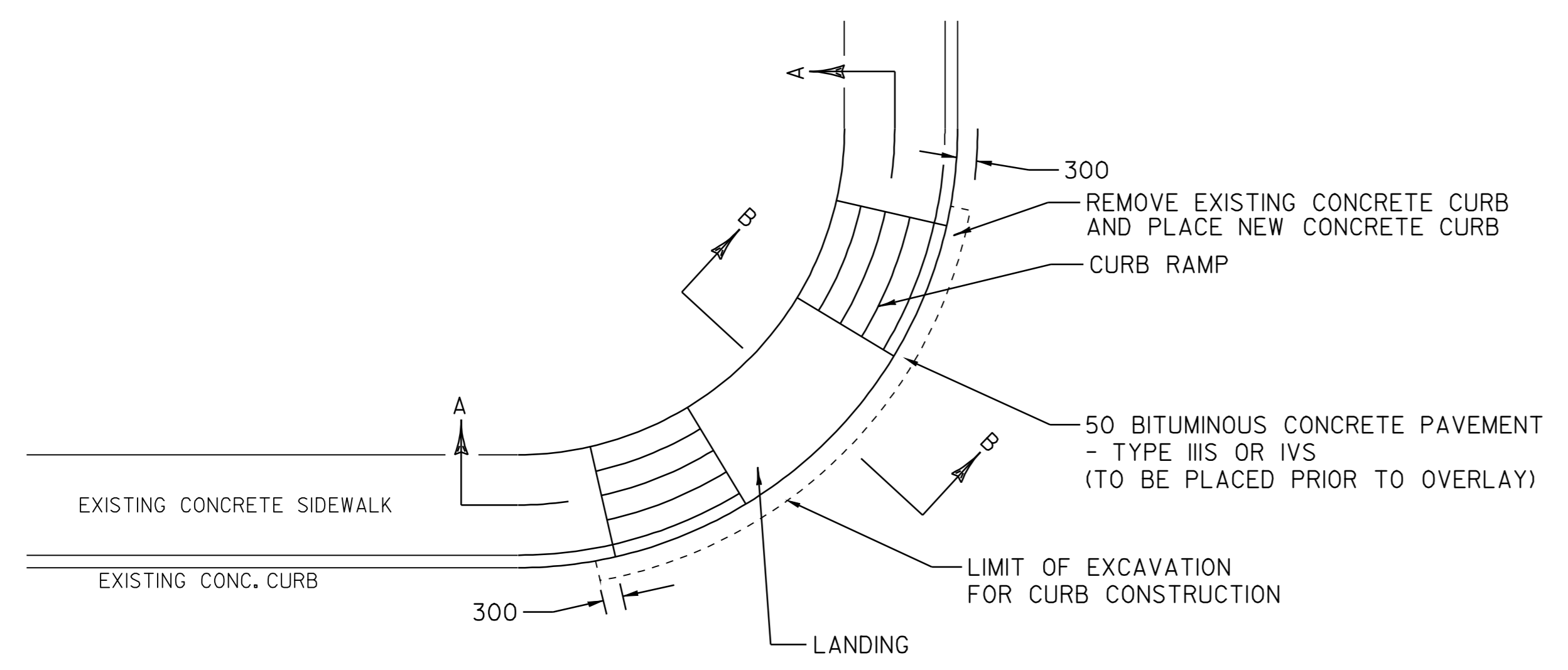
SECTION B-B



SECTION A-A



SIDEWALK AND CURB CONSTRUCTION DETAIL



PLAN

SIDEWALK RAMP PAY LIMIT DETAILS

NOTE: THIS DETAIL IS FOR PAY LIMITS ONLY. FOR INDIVIDUAL RAMP CONFIGURATIONS, SLOPES, DIMENSIONS, ETC., SEE VTRANS STANDARDS C-3AM/C-3BM.

NOT TO SCALE

NOTE: ALL DIMENSIONS IN MILLIMETERS EXCEPT AS INDICATED

SIDEWALK RAMP DETAIL

PROJECT NAME:	MIDDLEBURY	FILE NAME:	/pave/0ld048/pd048.dgn	PLOT DATE:	06-OCT-2008 13:00
PROJECT NUMBER:	STP 2304(I)S / NH 2603(I)S	PROJECT LEADER:	PTS	DRAWN BY:	MRS
		IPARM FILE NAME:	pd048csrd.i	CHECKED BY:	NLL
				SHEET	7 OF 103