

TEMPORARY 4" YELLOW LINE, PAINT  
 STA 46+00 ~ 47+48 C.L. (DBL.--SOLID--ISLAND)  
 STA 47+48 ~ 48+00 C.L. (CTR. LINE--DBL.--SOLID)

TEMPORARY 4" WHITE LINE, PAINT  
 STA 46+00 ~ 48+00 LT (EDGE LINE--SOLID)  
 STA 46+00 ~ 48+00 RT (EDGE LINE--SOLID)

TEMPORARY 8" YELLOW LINE, PAINT  
 STA 46+00 ~ 46+96 RT (DIAG.--ISLAND)

TEMPORARY 8" WHITE LINE, PAINT  
 STA 46+00 ~ 46+06 LT (SHOULDER HATCHING)

REMOVING SIGNS  
 AS SHOWN--1 EA

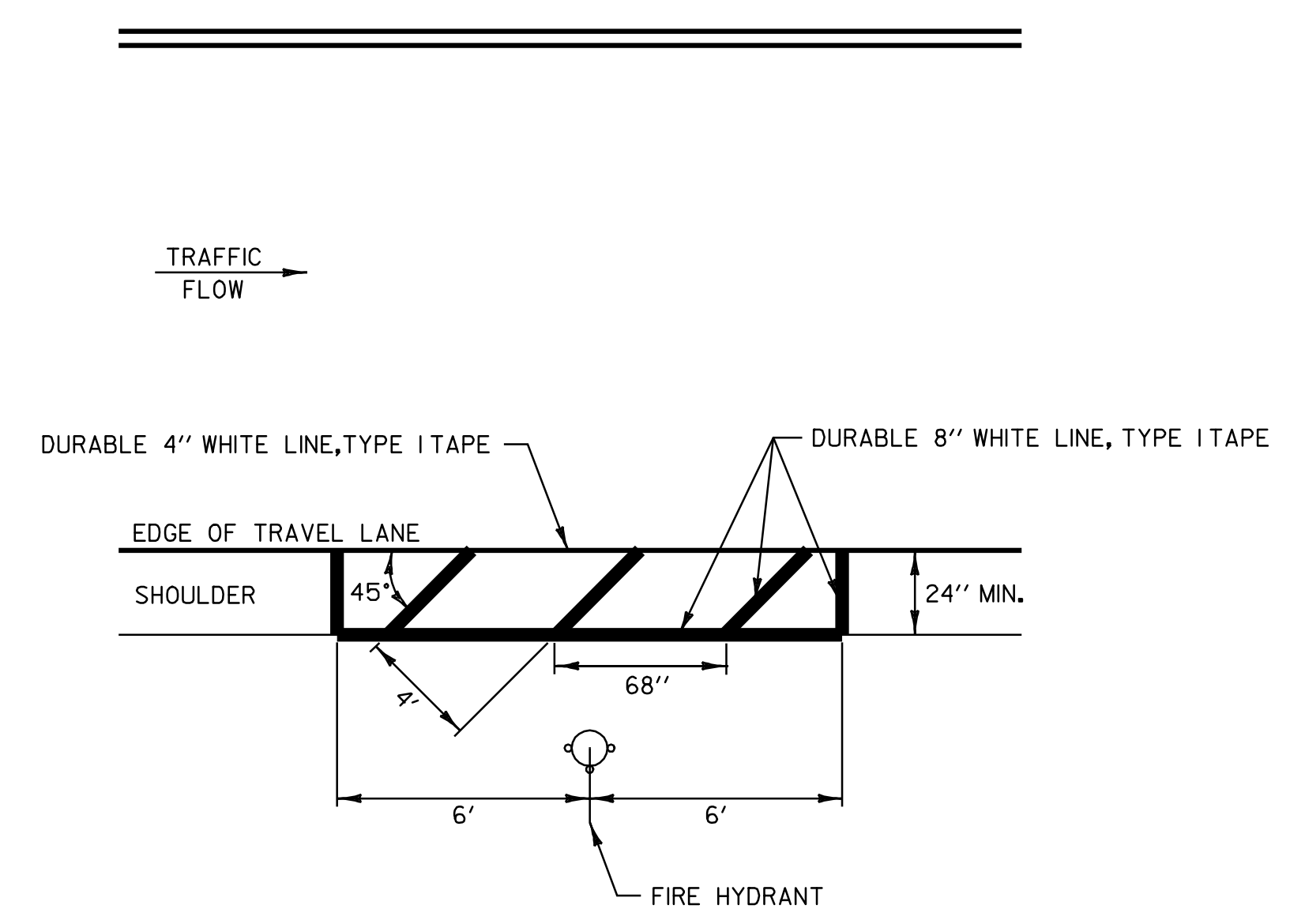
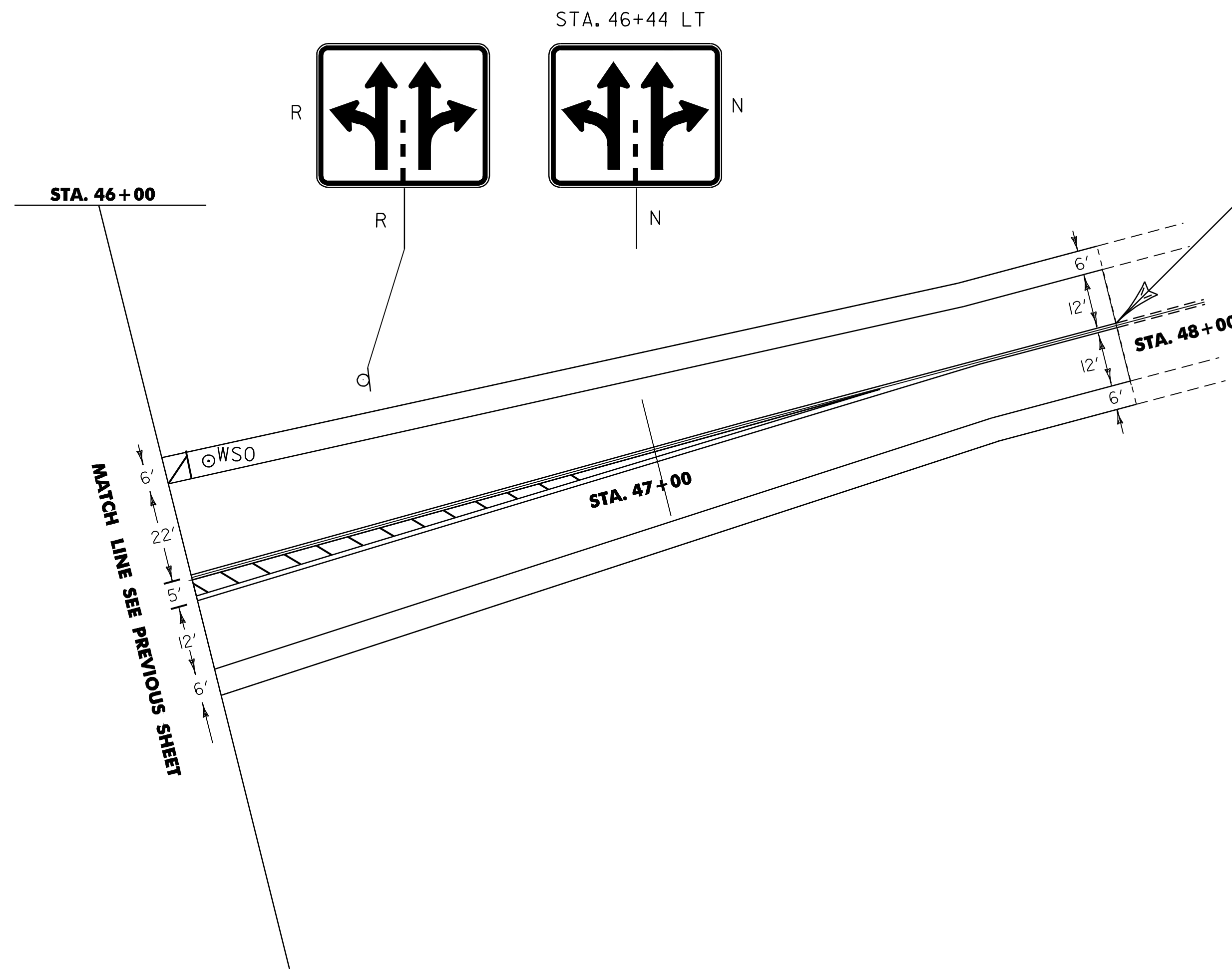
DURABLE 4" YELLOW LINE, TYPE I TAPE  
 STA 46+00 ~ 47+48 C.L. (DBL.--SOLID--ISLAND)  
 STA 47+48 ~ 48+00 C.L. (CTR. LINE--DBL.--SOLID)

DURABLE 4" WHITE LINE, TYPE I TAPE  
 STA 46+00 ~ 48+00 LT (EDGE LINE--SOLID)  
 STA 46+00 ~ 48+00 RT (EDGE LINE--SOLID)

DURABLE 8" YELLOW LINE, TYPE I TAPE  
 STA 46+00 ~ 46+96 RT (DIAG.--ISLAND)

DURABLE 8" WHITE LINE, TYPE I TAPE  
 STA 46+00 ~ 46+06 LT (SHOULDER HATCHING)

**US ROUTE 7  
 STA. 48+00 = MM 0.909  
 END PROJECT STP 2307(1)S**



**FIRE HYDRANT PAVEMENT MARKING DETAIL**  
 N.T.S.

**LEGEND**  
 N = NEW  
 R = REMOVE  
 RET = RETAIN

**PROJECT LAYOUT SHEET 9**

PROJECT NAME: COLCHESTER	PLOT DATE: 23-APR-2009 15:3
PROJECT NUMBER: STP 2307(1)s	DRAWN BY: LSW
FILE NAME: /pave01d044/p01d044.dgn	CHECKED BY: LSW
PROJECT LEADER: MW	SHEET 14 OF 26
IPARM NAME: p01d044i09.i	