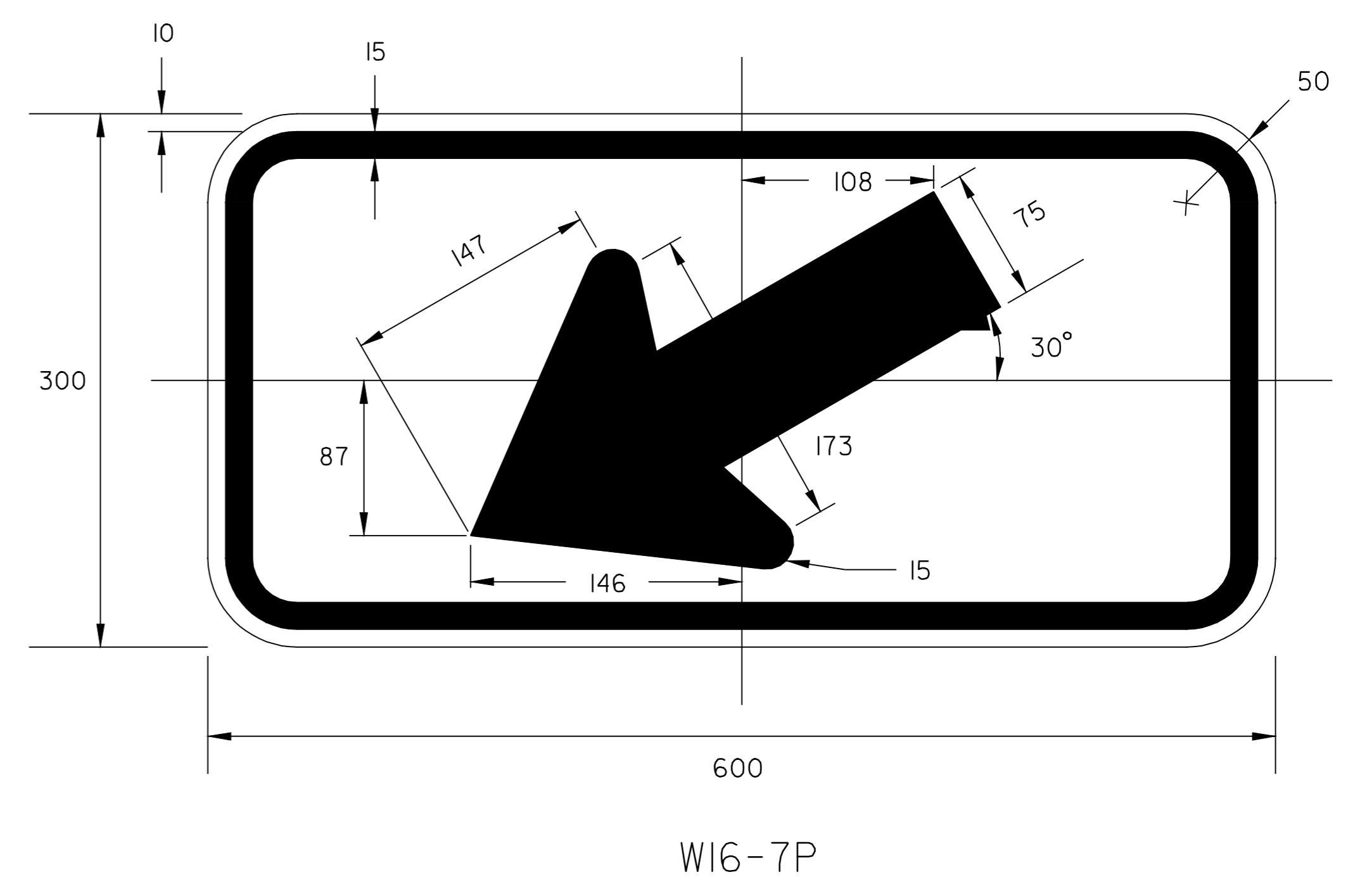
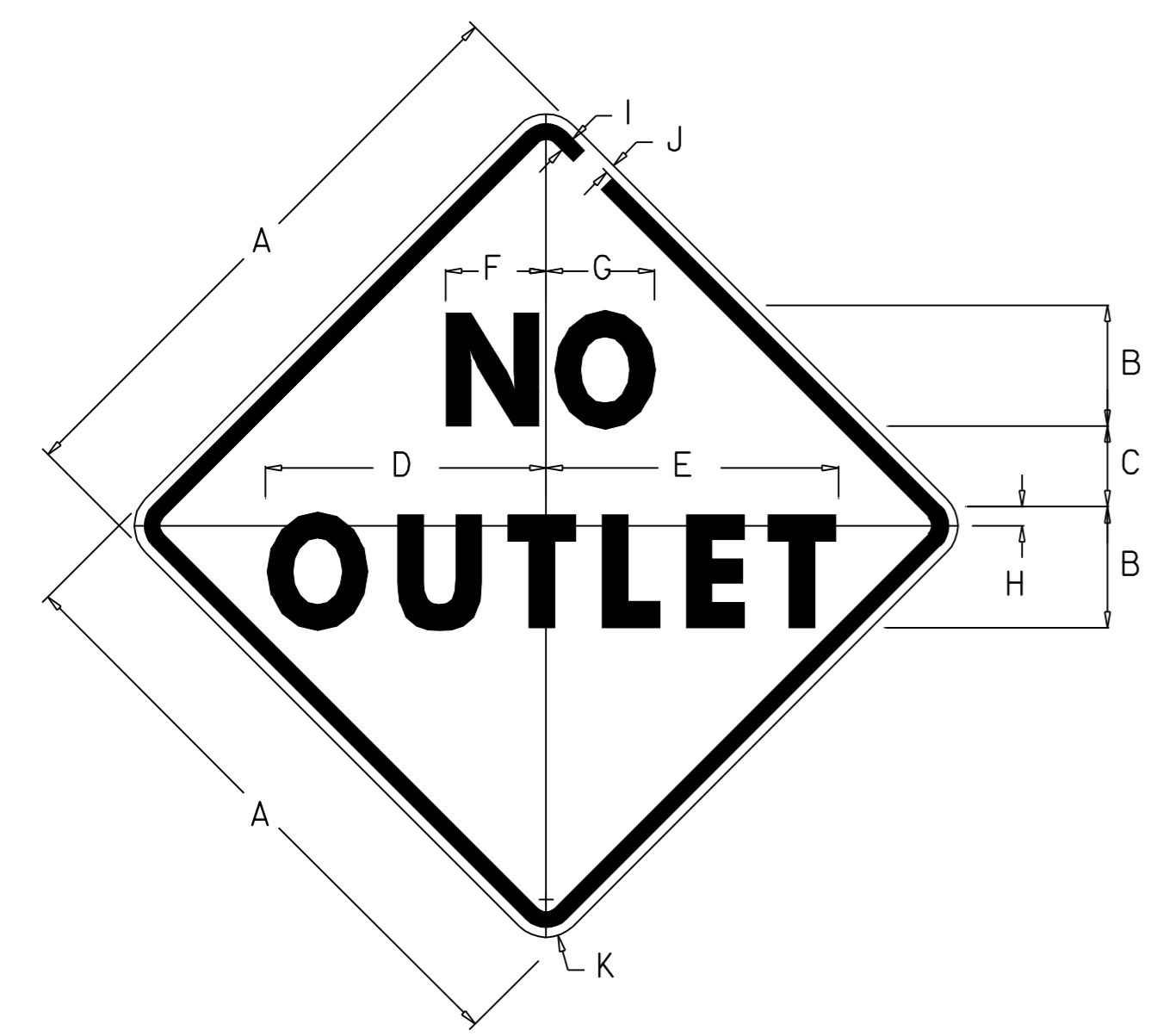


COLOR: WHITE LEGEND AND BORDER
ON A RED BACKGROUND
MATERIAL: PER VOAT STANDARD E-143M

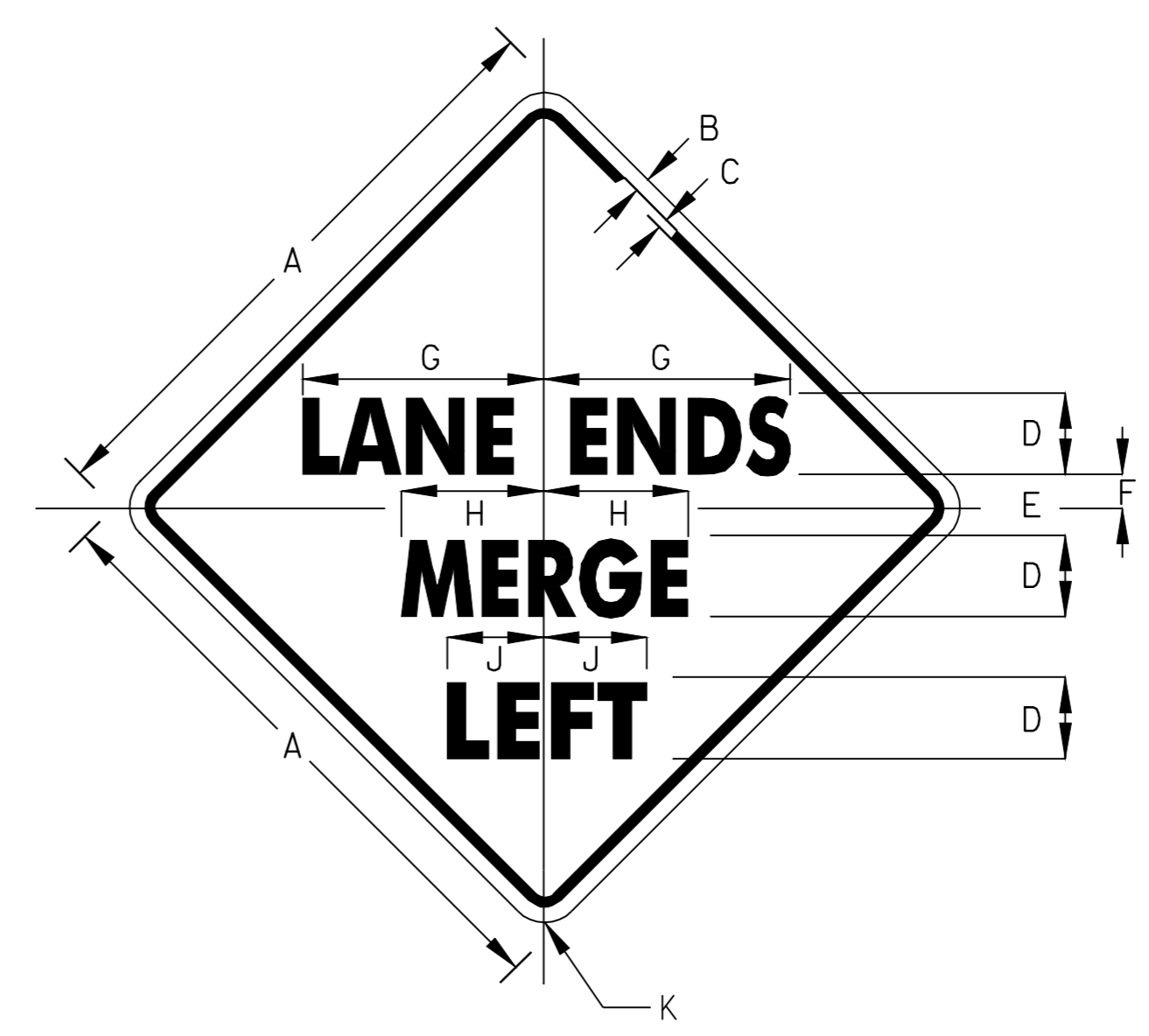


COLOR: FLOURESCENT YELLOW-GREEN SHEETING
WITH BLACK BORDER AND ARROW
MATERIAL: PER VOAT STANDARD E-151M



SEE STD. E-153M FOR
COLORS AND MATERIALS

SIGN	DIMENSIONS (MILLIMETERS)										
	A	B	C	D	E	F	G	H	I	J	K
SIZE	750	150D	100	350	370	130	135	25	20	15	50



SEE STD. E-153M FOR
COLORS AND MATERIALS

SIGN	DIMENSIONS (MILLIMETERS)										
	A	B	C	D	E	F	G	H	J	K	
SIZE	750	13	20	100 C	75	42	300.5	176	120	50	

TEXT LAYOUT DIMENSIONS ARE BASED ON THE "LETTER & NUMERAL WIDTHS AND SPACE" TABLES FOUND IN THE "STANDARD HIGHWAY SIGNS" BOOKLET. MINOR VARIATIONS IN TEXT DIMENSIONS ARE ACCEPTABLE BASED ON INDIVIDUAL MANUFACTURER'S LETTER FABRICATION. SIGNIFICANT CHANGES WHICH AFFECT SIGN APPEARANCE SHALL BE BROUGHT TO THE ATTENTION OF THE VAOT'S TRAFFIC AND SAFETY DIVISION BEFORE FABRICATION.

NOTE: ALL DIMENSIONS IN MILLIMETERS EXCEPT AS INDICATED

NOT TO SCALE

SIGN DETAIL SHEET	PROJECT NAME: BRATTLEBORO	
	PROJECT NUMBER: ST-STP 2303(I)S	
	FILE NAME: /PAVE/OID026/PD026.dgn	PLOT DATE: \$DATE\$
	PROJECT LEADER: WRH	DRAWN BY: JAC
DESIGNED BY: -	CHECKED BY: NLL	
CLD REF. NO.: pd026sd.i	SHEET 53 OF 55	