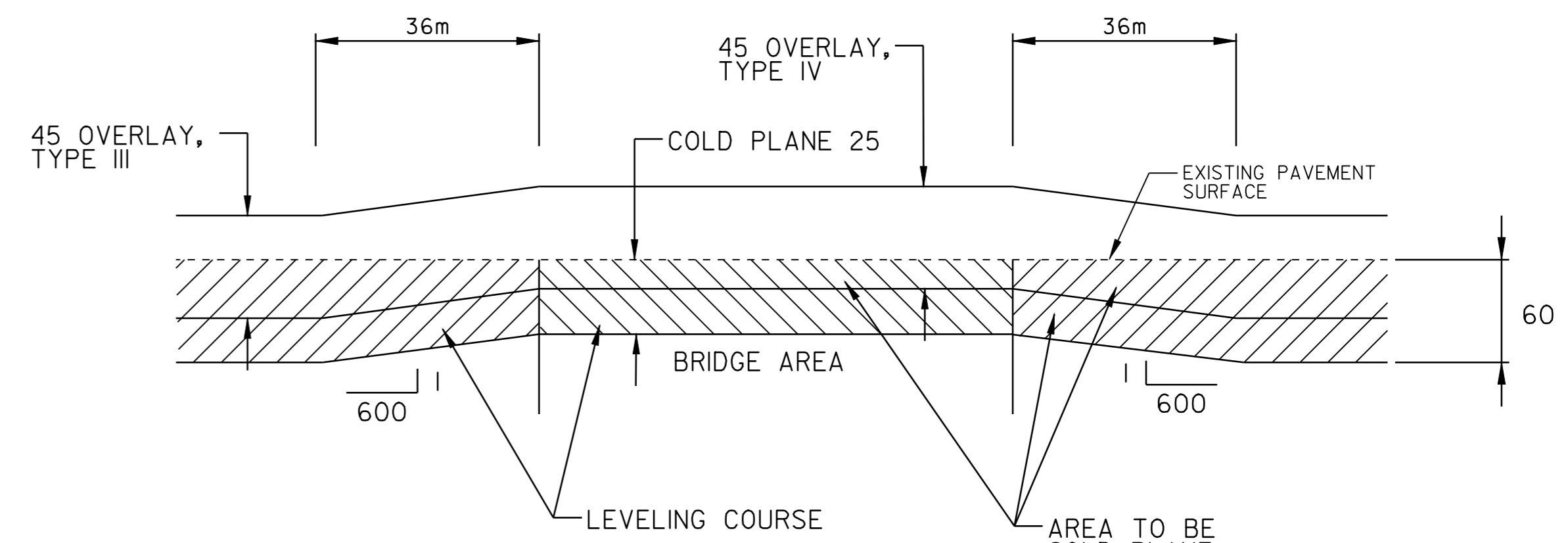


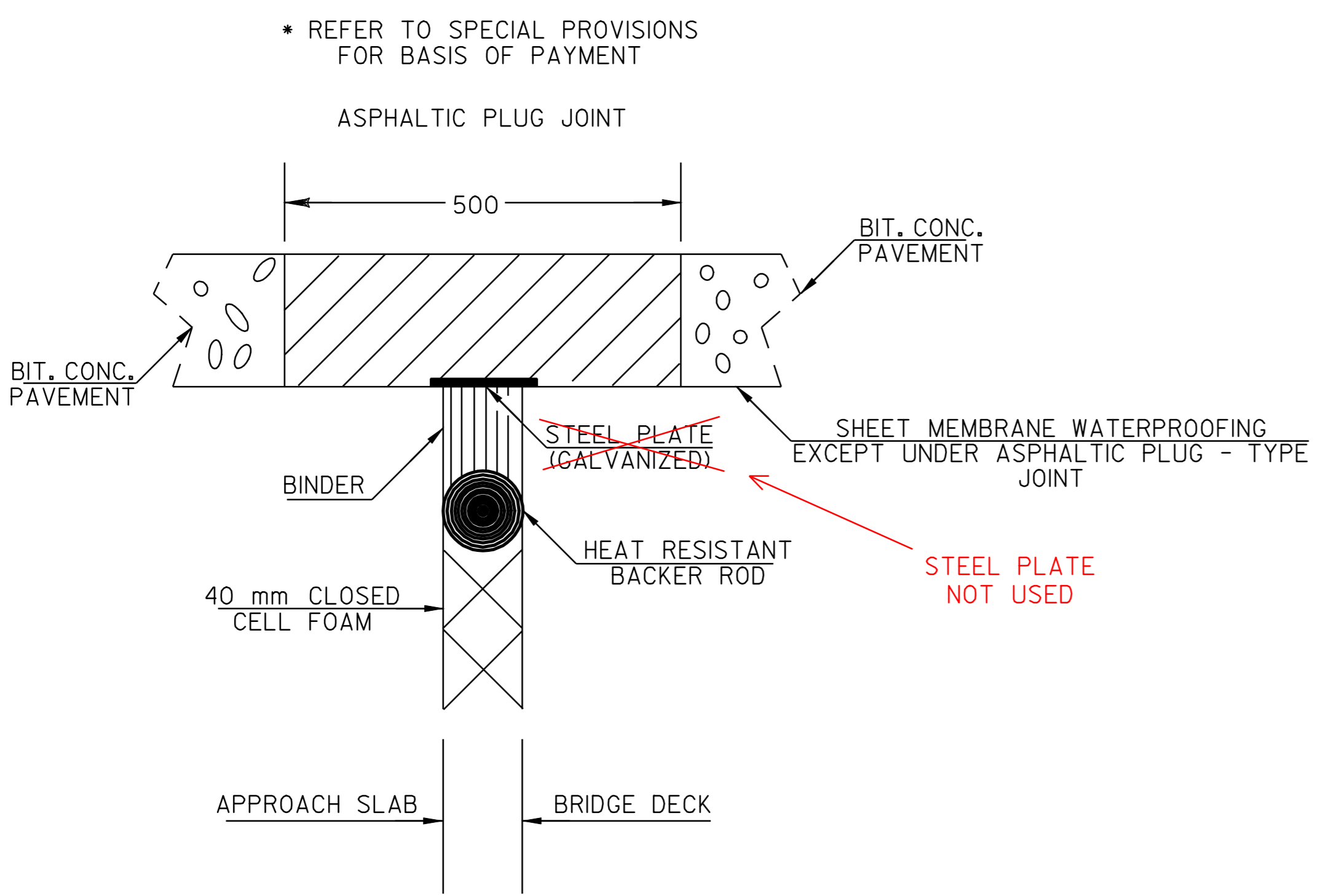
COLD PLANING DETAIL @ BRIDGE 52

BRATTLEBORO
STA 7+331 TO STA 7+337



COLD PLANING DETAIL @ BRIDGES 53, 54 & 7

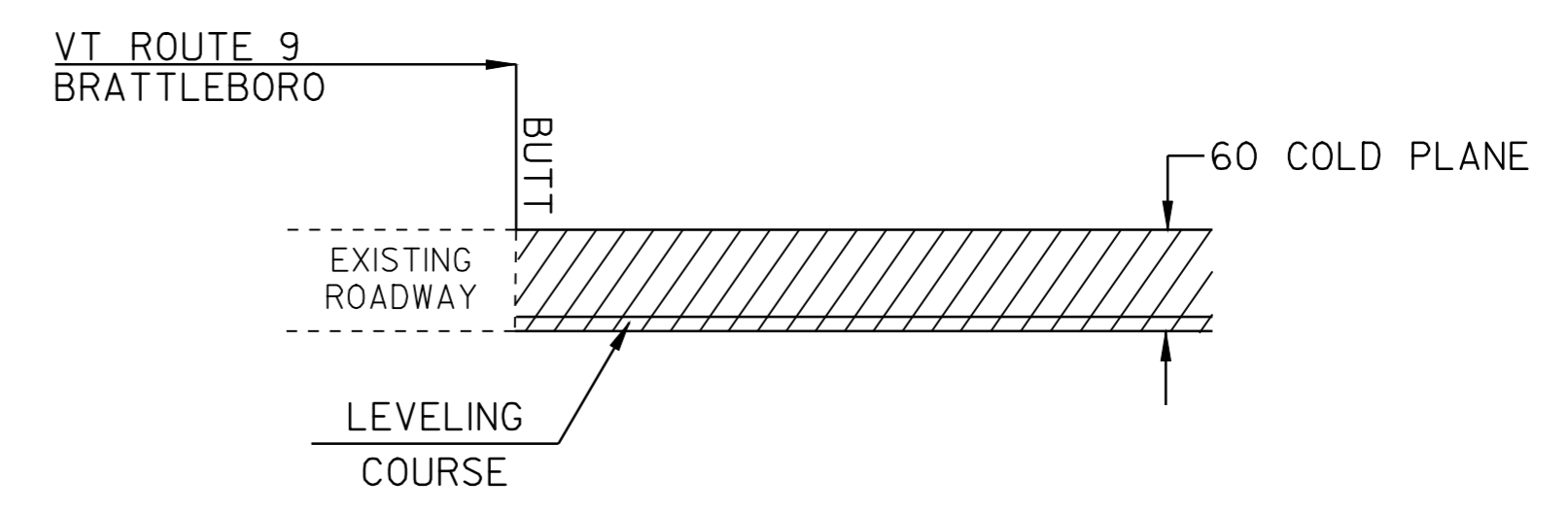
BRATTLEBORO
STA 7+770 TO STA 7+774
STA 8+332 TO STA 8+354
STA 9+586 TO STA 9+625



ASPHALTIC PLUG-TYPE JOINT DETAIL

LOCATION

BRIDGE #7 (20.2 M) STA 9+591 (MM 5.960) (2 EXPANSION JOINTS)



APPROACH AREA DETAIL

LOCATION

STA 6+872, BRATTLEBORO - BEGIN COLD PLANING
STA 11+360, BRATTLEBORO - END COLD PLANING

NOTE: ALL DIMENSIONS IN MILLIMETERS EXCEPT AS INDICATED

PROJECT TYPICAL SHEET#2	PROJECT NAME: BRATTLEBORO	PLOT DATE: \$DATE\$
	PROJECT NUMBER: ST-STP 2303(I)S	DRAWN BY: JAC
	FILE NAME: /PAVE/OID026/PD026.dgn	CHECKED BY: NLL
	PROJECT LEADER: WRH	SHEET 3 OF 55
	DESIGNED BY:	
CLD REF. NO.: pd026typ2.i		