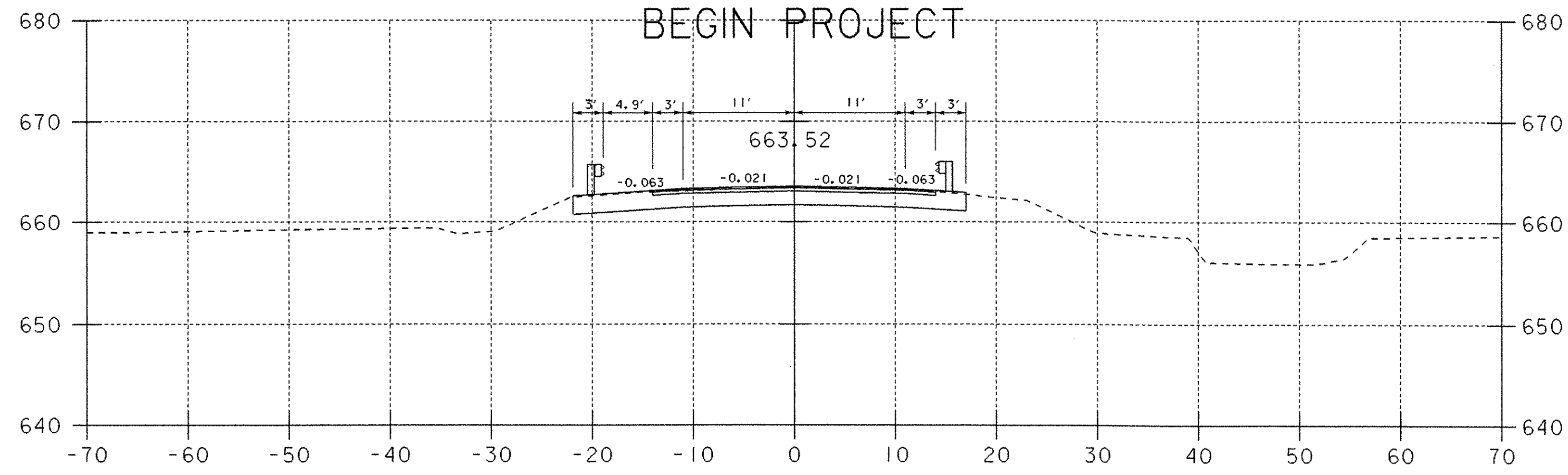
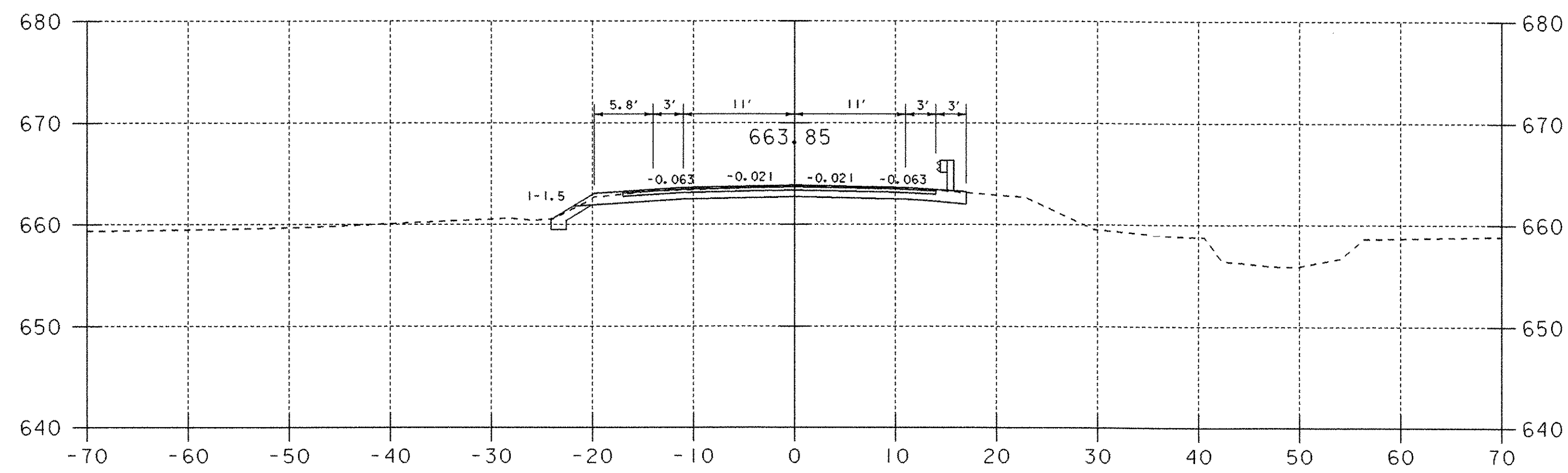


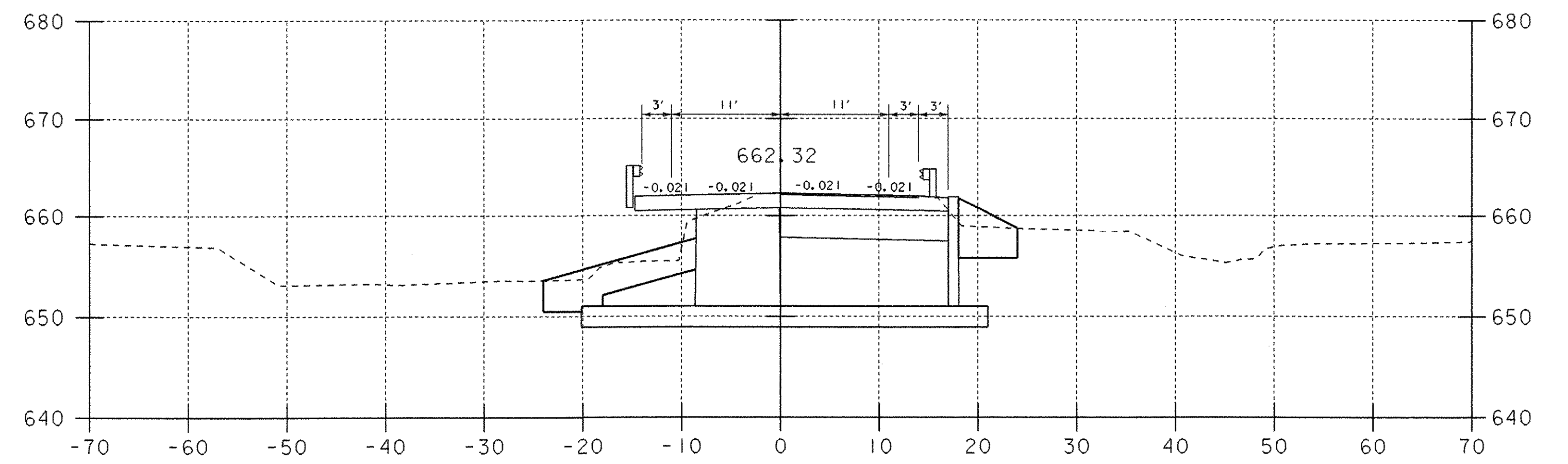
13+00
12+90.00
END APPROACH
BEGIN PROJECT



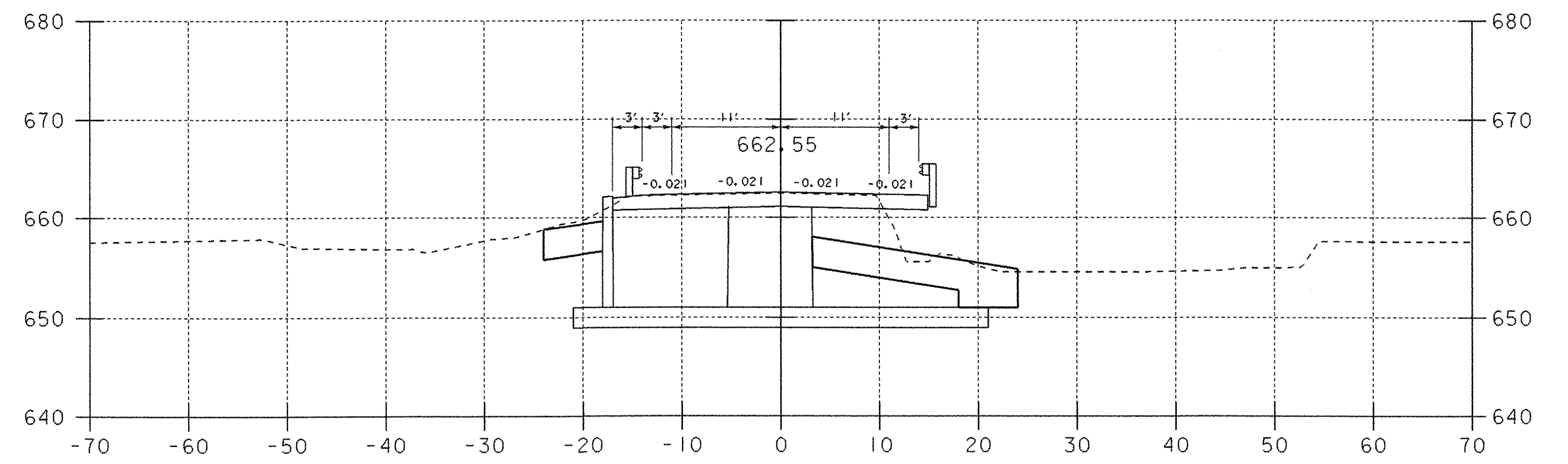
12+75



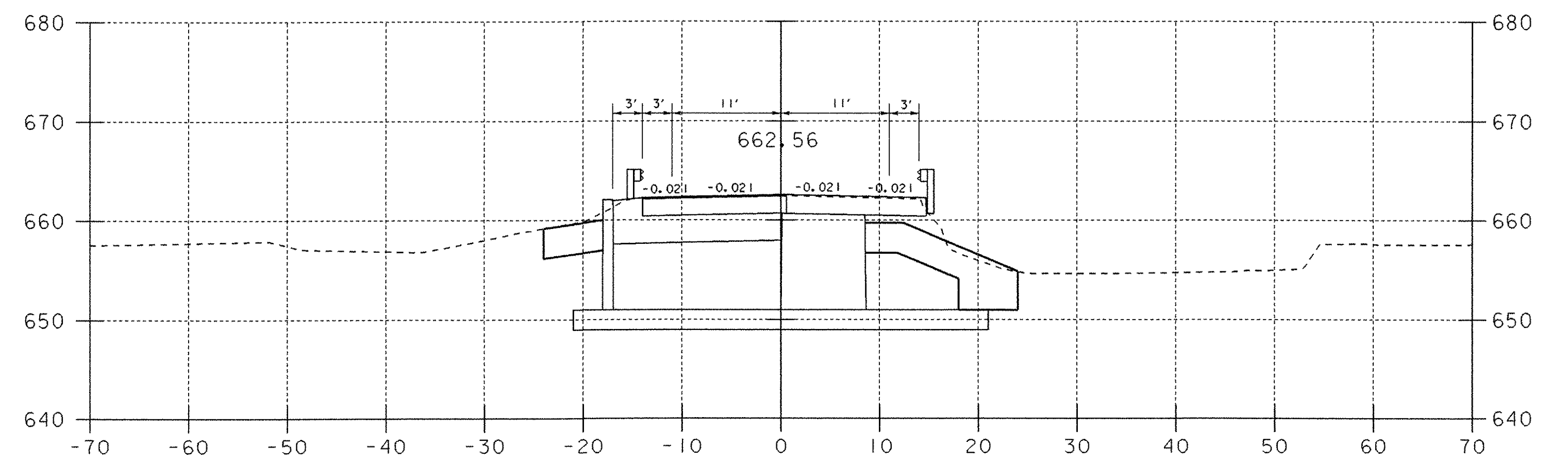
12+62



13+45.00
END BRIDGE



13+25



13+24.00
BEGIN BRIDGE

ROADWAY CROSS SECTIONS

PROJECT NAME:	FAIRFIELD	FILE NAME:	str5/01c182/sc182bdr.dgn	PLOT DATE:	28-APR-2005
PROJECT NUMBER:	AC STP ST 0298 (6)	PROJECT LEADER:	C. Keller	DRAWN BY:	J. Reed
		DESIGNED BY:	J. Reed	CHECKED BY:	W.B. Symonds
			sc182xs3.i	SHEET	32 OF 41