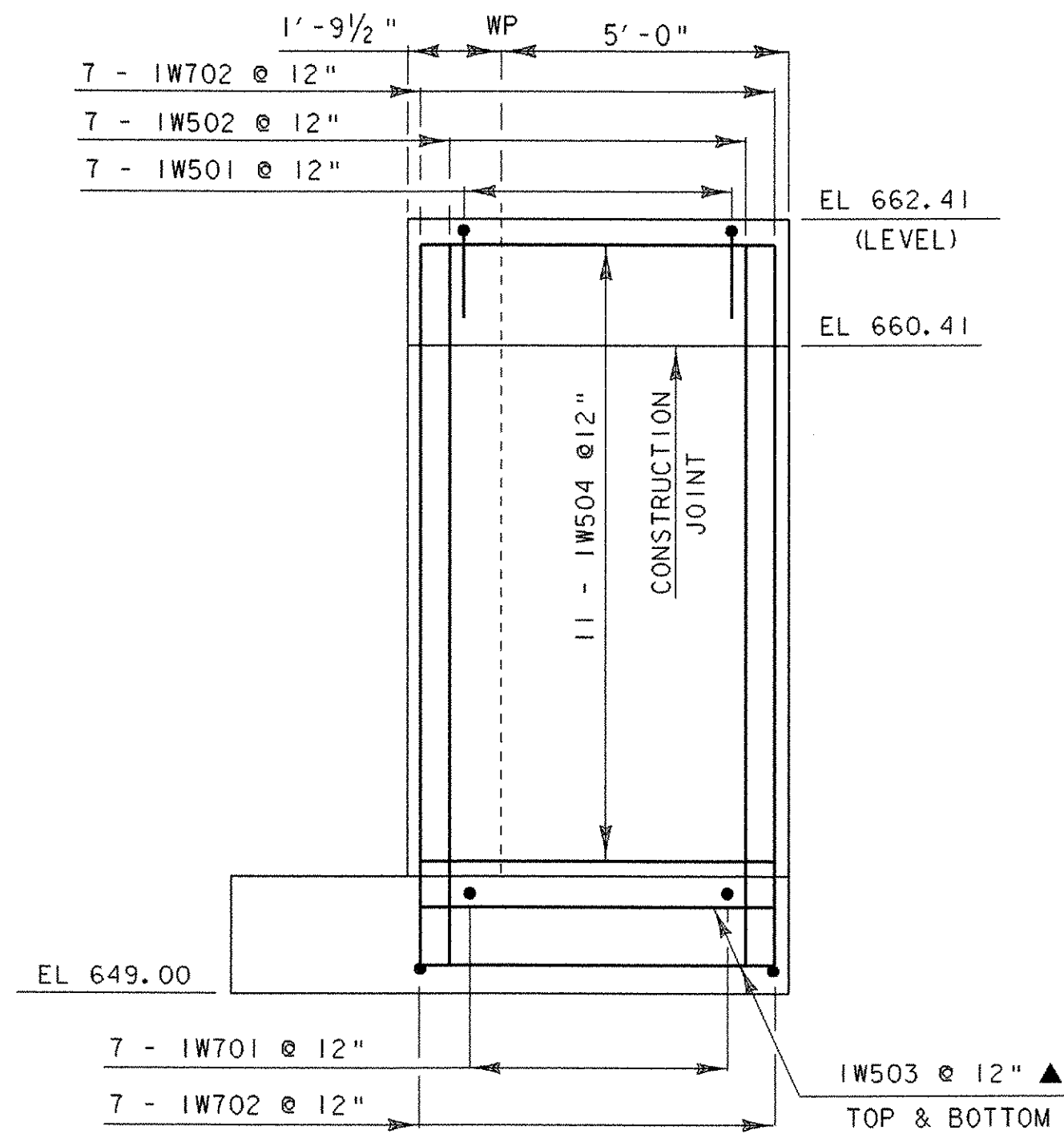


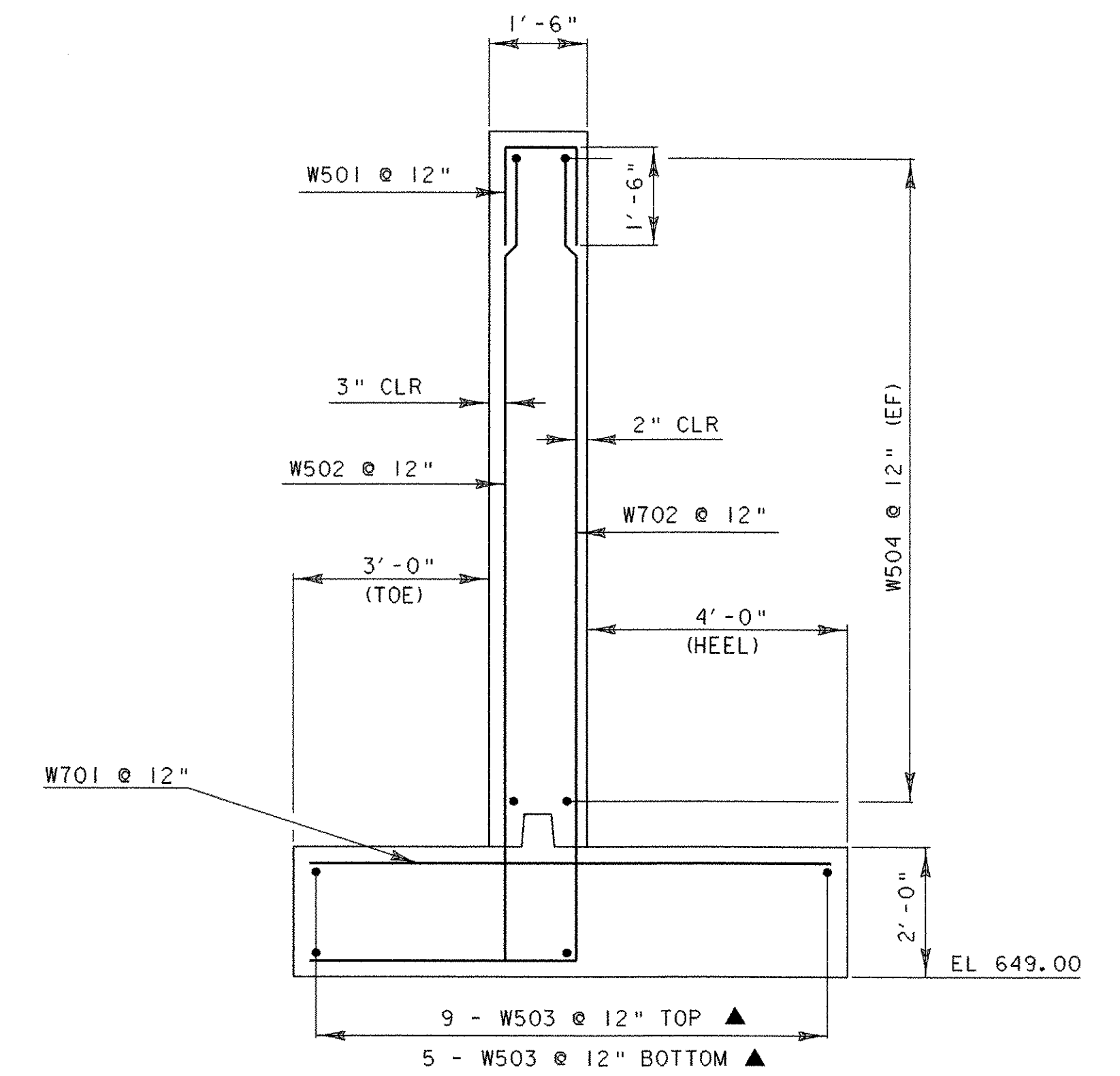
WINGWALL #2 ELEVATION

SCALE 3/8" = 1'-0"



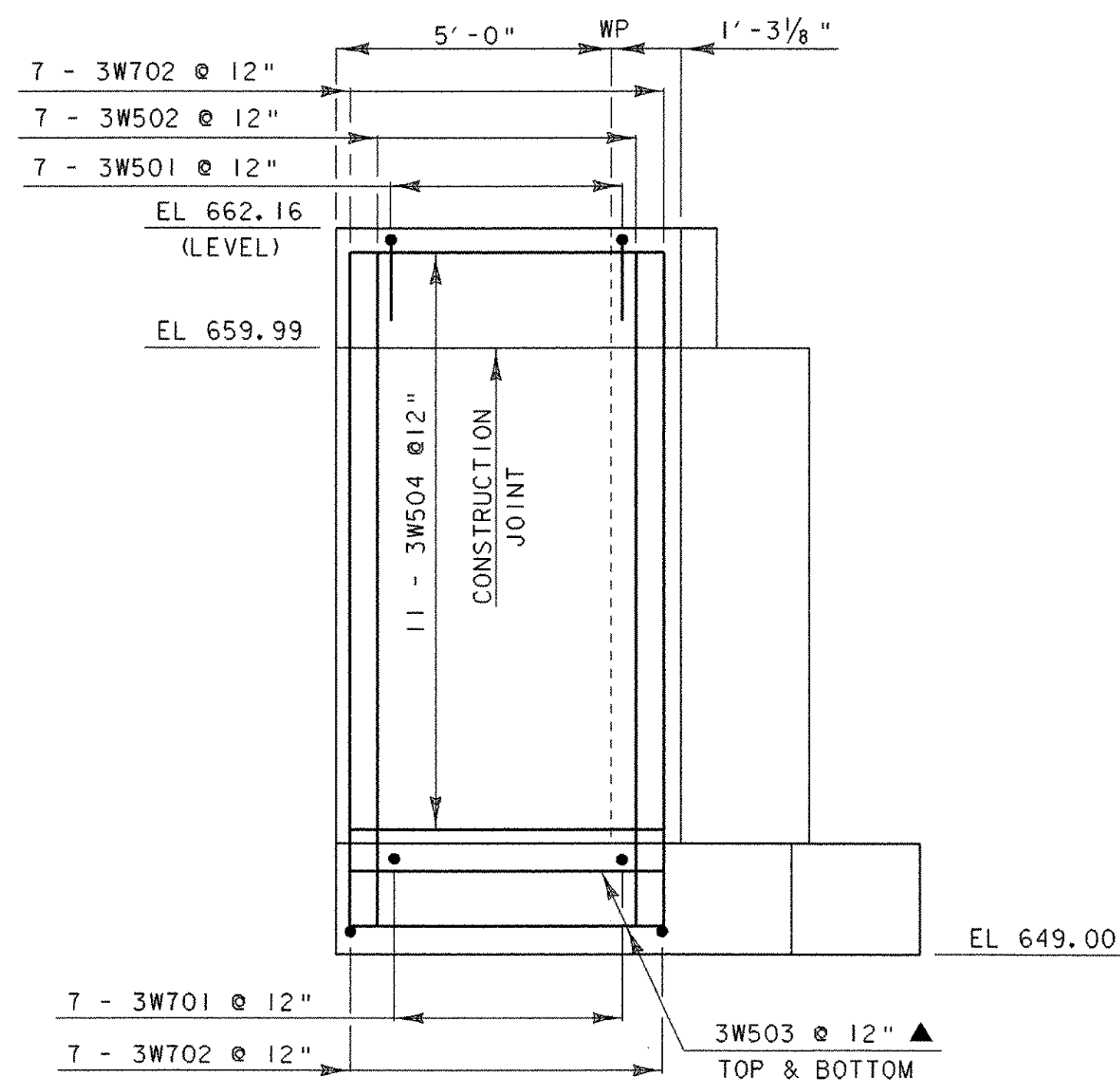
WINGWALL #1 ELEVATION

SCALE 3/8" = 1'-0"



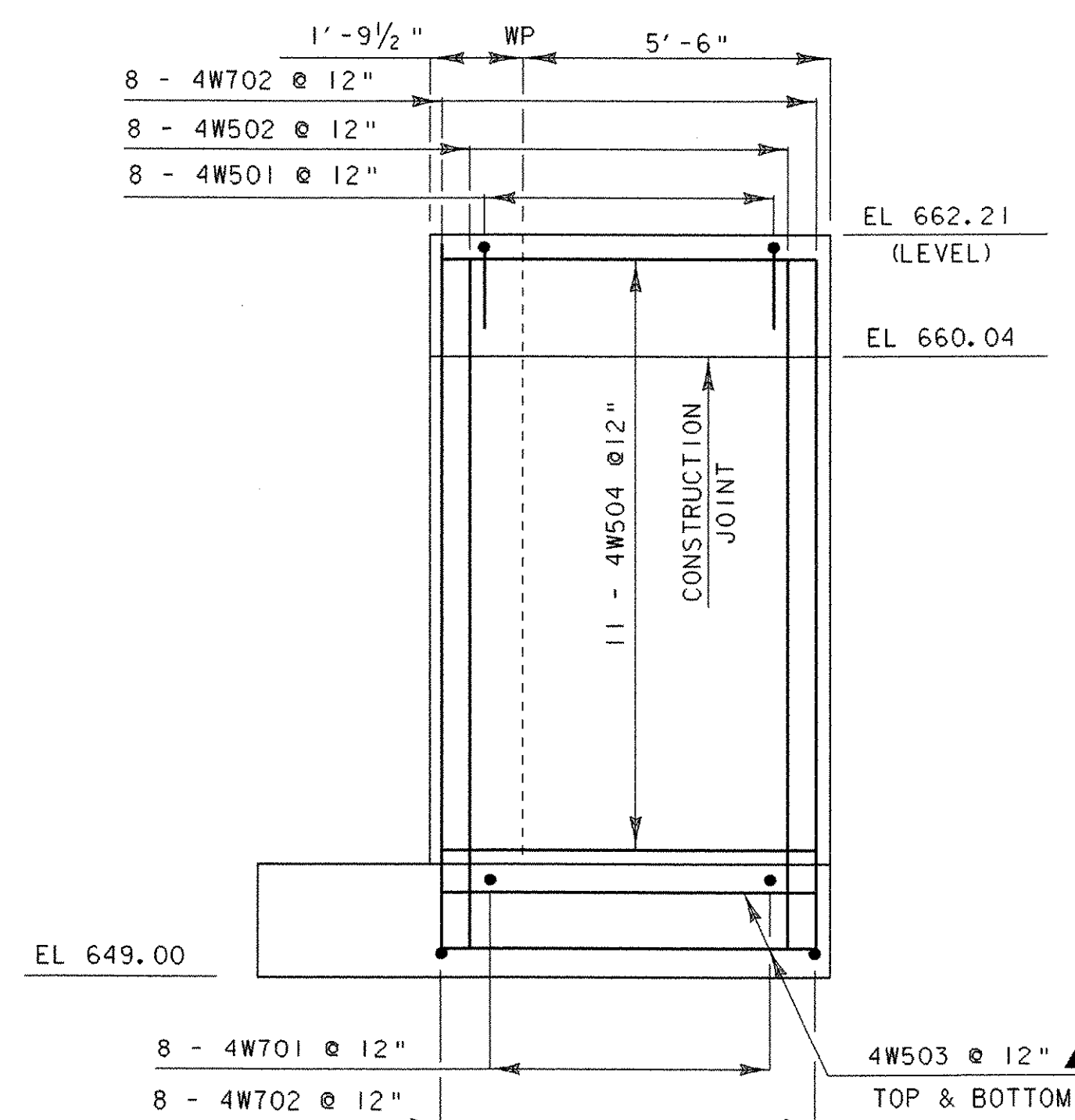
TYPICAL WINGWALL SECTION

SCALE 1/2" = 1'-0"



WINGWALL #3 ELEVATION

SCALE 3/8" = 1'-0"



WINGWALL #4 ELEVATION

SCALE 3/8" = 1'-0"

NOTE:

- NF = NEAR FACE
- FF = FAR FACE
- EF = EACH FACE
- ▲ = CUT TO FIT IN FIELD
- 3" CLR. UNLESS OTHERWISE SPECIFIED ON THE PLANS.
- ALL LAPS ARE 2'-2" UNLESS OTHERWISE NOTED.

WINGWALL DETAILS

PROJECT NAME:	FAIRFIELD	PLOT DATE:	28-APR-2005
PROJECT NUMBER:	AC STP ST 0298 (6)	DRAWN BY:	K. RUTTER
FILE NAME:	/str5/01c182/sc182sub.dgn	CHECKED BY:	W.B. SYMONDS
PROJECT LEADER:	C. KELLER	SHEET	28 OF 41
DESIGNED BY:	K. RUTTER		