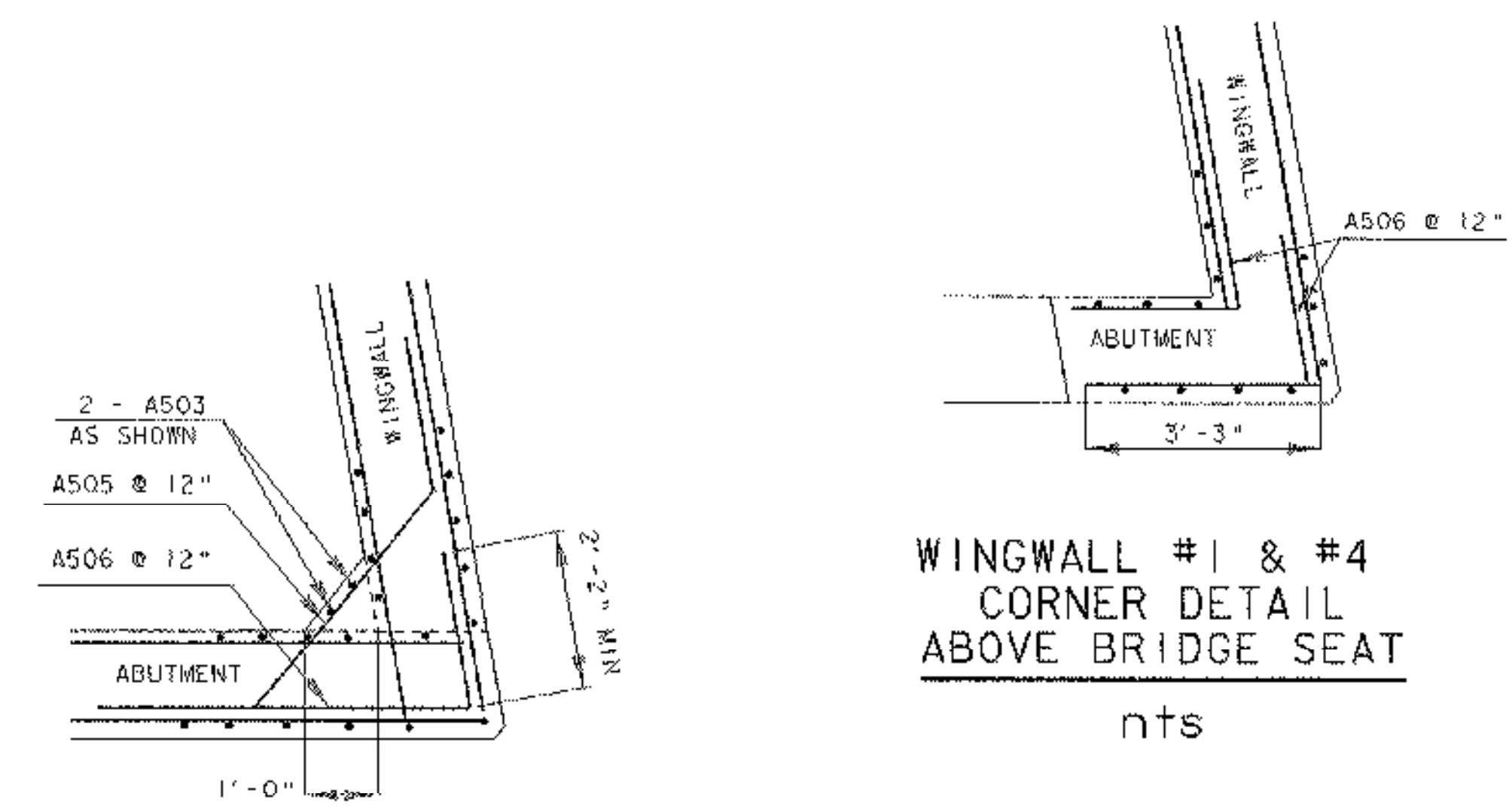


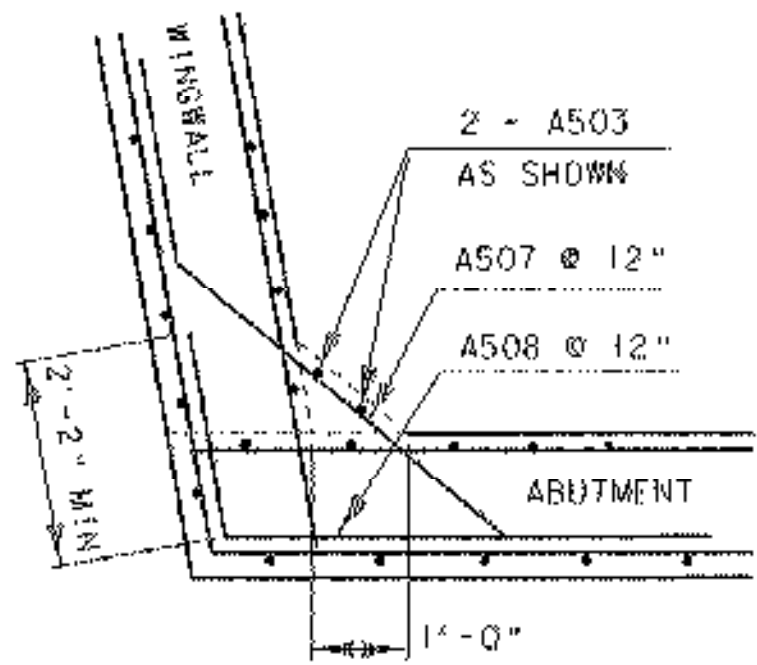
ABUTMENT # 1 PLAN

SCALE 3/8" = 1'-0"
 1 0 1 2 3 4



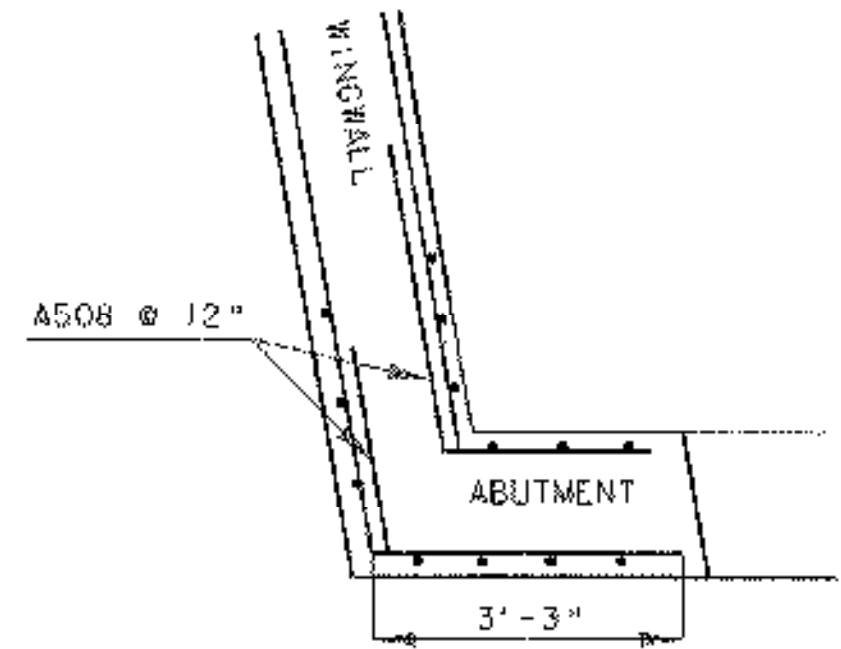
WINGWALL #1 & #4
 CORNER DETAIL
 BELOW BRIDGE SEAT

nts



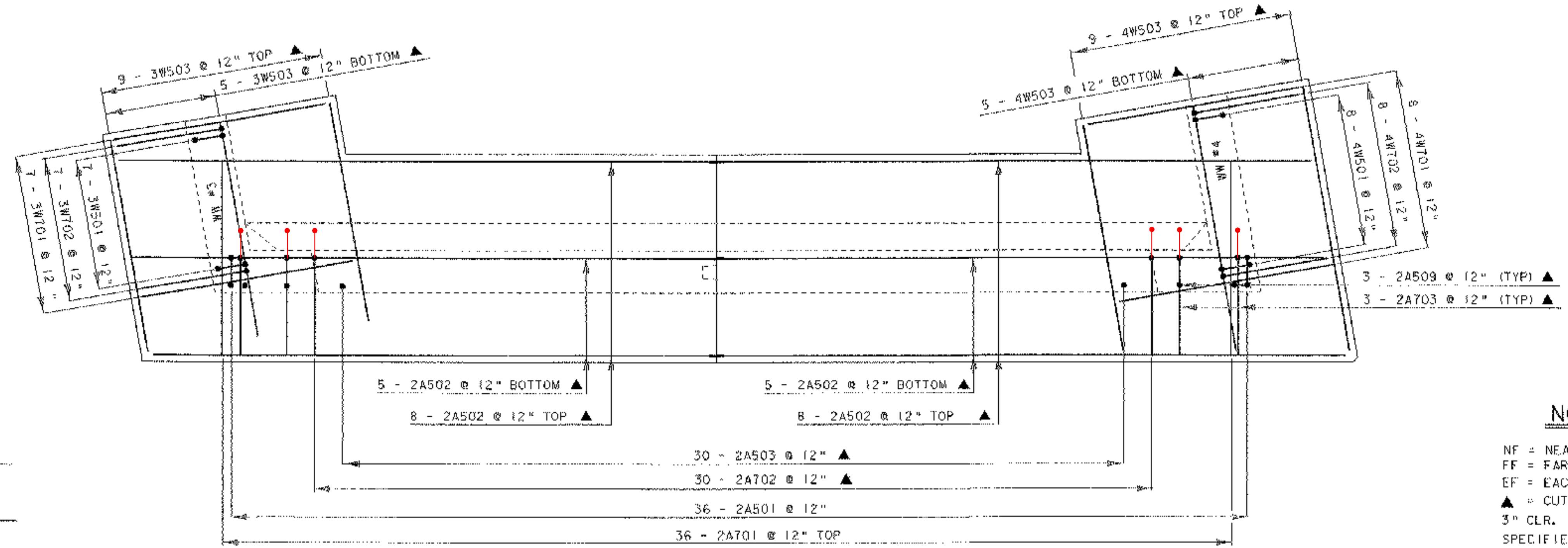
WINGWALL #2 & #3
 CORNER DETAIL
 BELOW BRIDGE SHEET

nts



WINGWALL #2 & #3
 CORNER DETAIL
 ABOVE BRIDGE SEAT

nts



ABUTMENT # 2 PLAN

SCALE 3/8" = 1'-0"
 1 0 1 2 3 4

NOTE:
 NF = NEAR FACE
 FF = FAR FACE
 EF = EACH FACE
 ▲ = CUT TO FIT IN FIELD
 3" CLR. UNLESS OTHERWISE
 SPECIFIED ON THE PLANS.
 ALL LAPS ARE 2'-2" UNLESS
 OTHERWISE NOTED.

ABUTMENT REINFORCING DETAILS

PROJECT NAME:	FAIRFIELD
PROJECT NUMBER:	AC STP ST 0298 (6)
FILE NAME:	/str5/01c182/sc182sub.dgn
PROJECT LEADER:	C. KELLER
DESIGNED BY:	K. RUTTER
PL01 DATE:	28-APR-2005
DRAWN BY:	K. RUTTER
CHECKED BY:	W. B. SYMONDS
sc182subebr.s.1	SHEET 27 OF 41