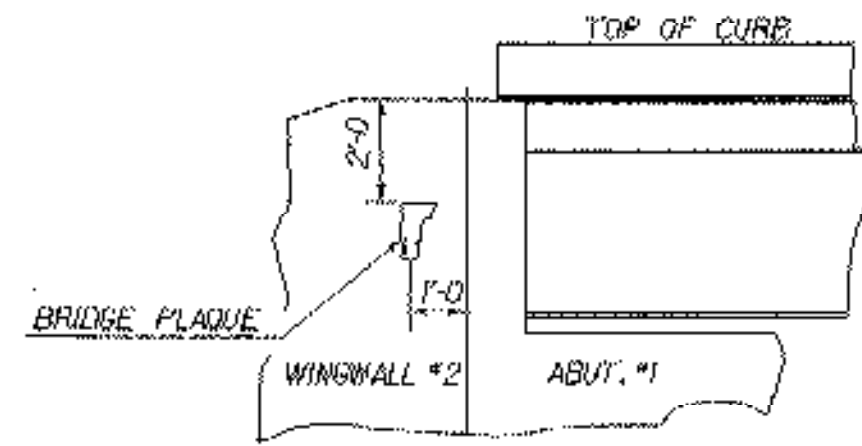


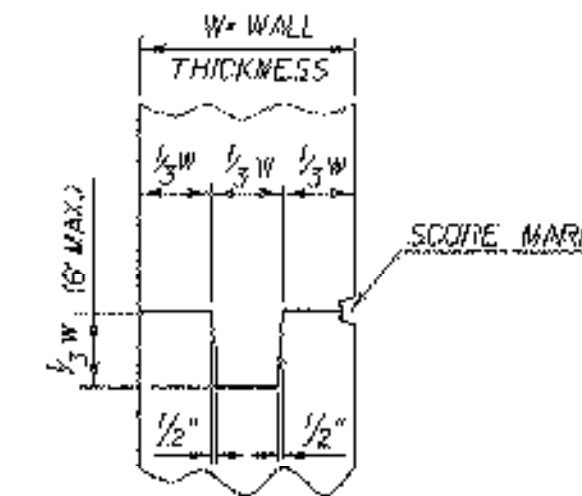
SCORE MARK DETAIL

NTS

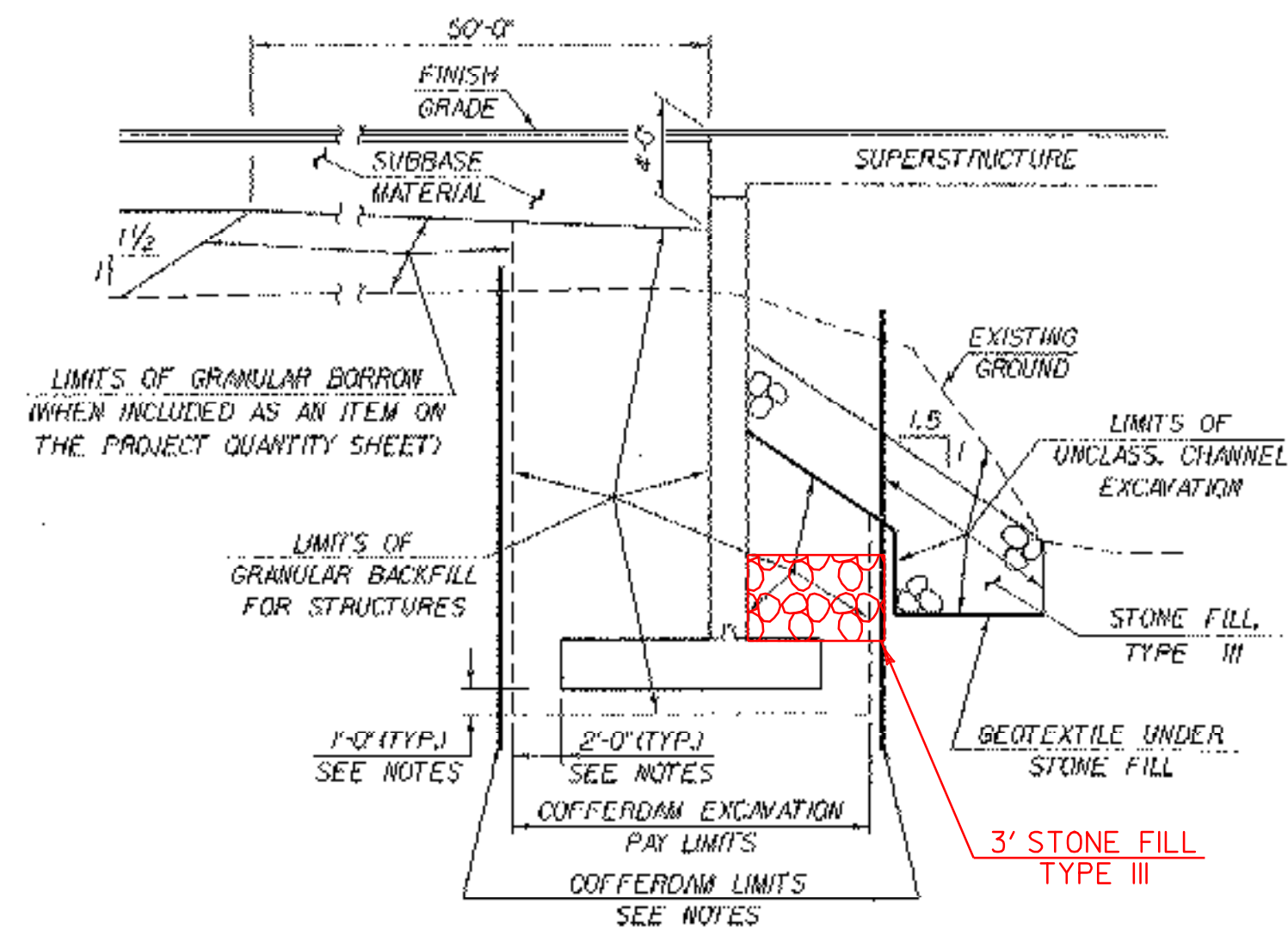


VIEW "A - A"
LOCATE BRIDGE PLAQUE

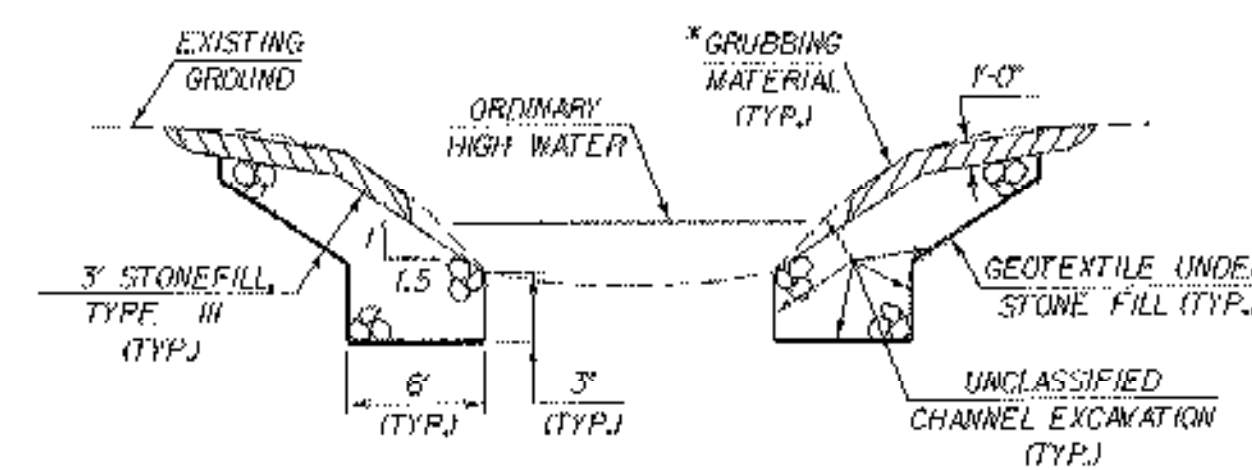
THE BRIDGE PLAQUE WILL BE SUPPLIED BY THE AGENCY OF TRANSPORTATION AND SHALL BE INSTALLED BY THE CONTRACTOR AT ABUTMENT #1 ON THE RIGHT SIDE AS SHOWN OR AS DIRECTED BY THE ENGINEER.



TYPICAL CONCRETE CONSTRUCTION JOINT



TYPICAL ABUTMENT SECTION
(NOT TO SCALE)



TYPICAL CHANNEL SECTION
(NOT TO SCALE)

* GRUBBING MATERIAL SHALL NOT BE PLACED ON THE STONE FILL IN THE AREA UNDER THE BRIDGE.

NOTES

1. COFFERDAM LIMITS TO BE DETERMINED BY THE CONTRACTOR
2. FOR THE PURPOSE OF ESTIMATING EARTHWORK QUANTITIES, THE LIMITS OF COFFERDAM HAVE BEEN ASSUMED TO BE 2'-0" OUTSIDE THE PERIMETER OF THE FOOTING
3. ONE FOOT UNDERCUT AS DETERMINED NECESSARY BY THE ENGINEER
4. IF A COFFERDAM IS CONSTRUCTED WHICH IS MORE THAN THE INDICATED MINIMUM DISTANCE OUTSIDE THE FOOTING LIMITS, PAYMENT FOR ALL UNCLASSIFIED CHANNEL EXCAVATION INCLUDING THAT PORTION WHICH IS INSIDE THE COFFERDAM BUT OUTSIDE THE MINIMUM COFFERDAM LIMITS SHOWN WILL BE MADE AT THE CONTRACT UNIT PRICE FOR UNCLASSIFIED CHANNEL EXCAVATION.

BRIDGE DETAILS

PROJECT NAME:	FAIRFIELD	FILE NAME:	str5/01c182/sc182typ.dgn	PLOT DATE:	28-APR-2005
PROJECT NUMBER:	AC STP ST 0298 (6)	PROJECT LEADER:	C. KELLER	DRAWN BY:	K. RUTTER
		DESIGNED BY:	J. REED	CHECKED BY:	W.B. SYMONDS
			sc182typ.d	SHEET	23 OF 41