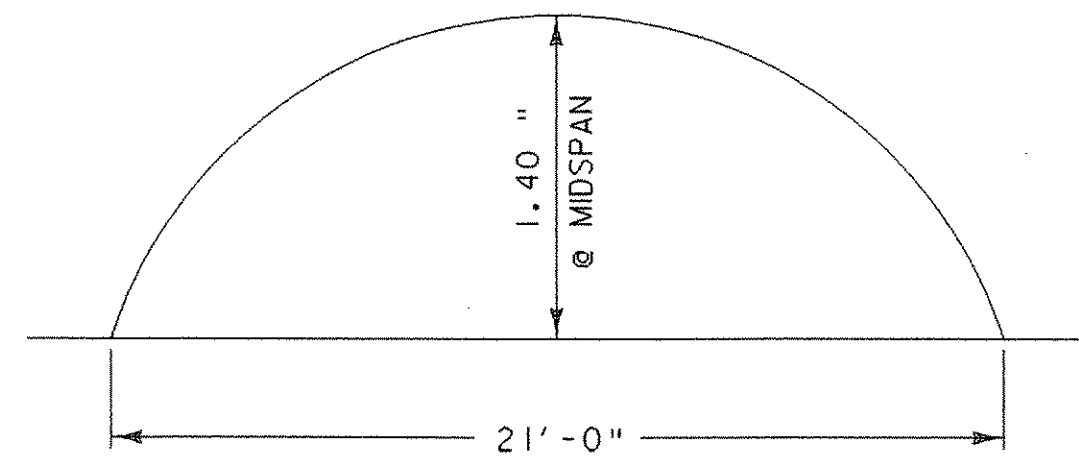


SLAB REINFORCING PLAN

SCALE 1/4" = 1'-0"
 1 0 2 4 6

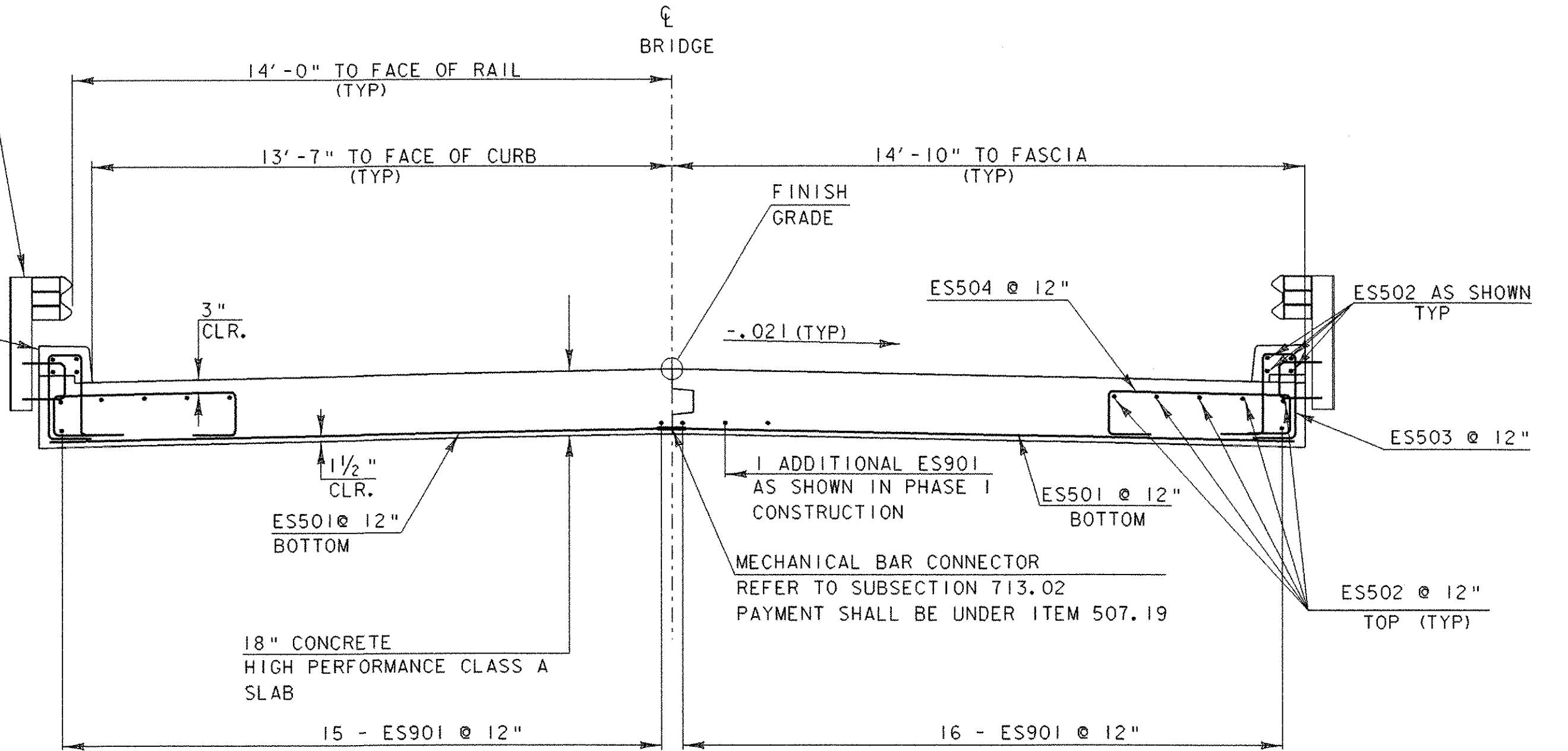


CAMBER DIAGRAM

nts

BRIDGE RAILING:
 HDSB STEEL BEAM
 FASCIA MOUNTED
 STEEL TUBING
 (TYP)
 (SEE STD. SB-R7-90
 AND STD. SB-R6-90)

CONCRETE CURB
 HIGH PERFORMANCE
 CLASS A

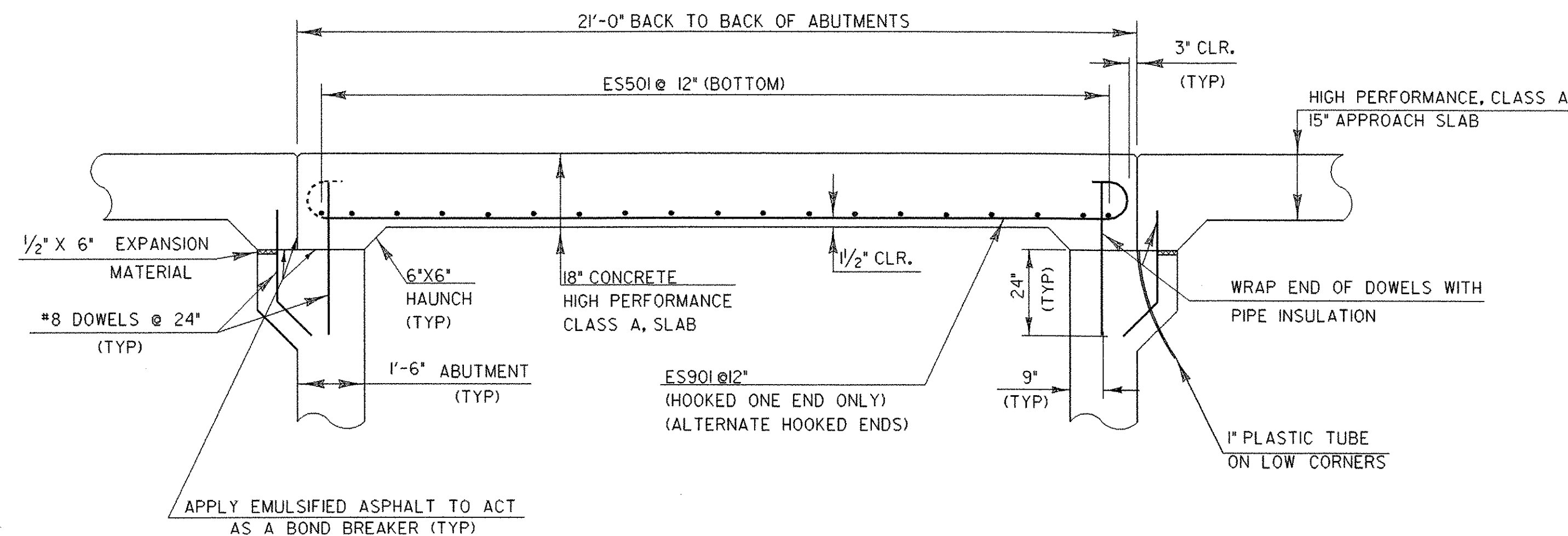


BRIDGE TYPICAL SECTION

SCALE 3/8" = 1'-0"
 1 0 1 2 3 4

NOTES:

1. THE SLAB CAMBER SHALL APPROXIMATE A CIRCULAR CURVE.
2. COST OF PLASTIC TUBE, PIPE INSULATION AND ITS APPLICATION SHALL BE SUBSIDIARY TO CONCRETE HIGH PERFORMANCE, CLASS A.

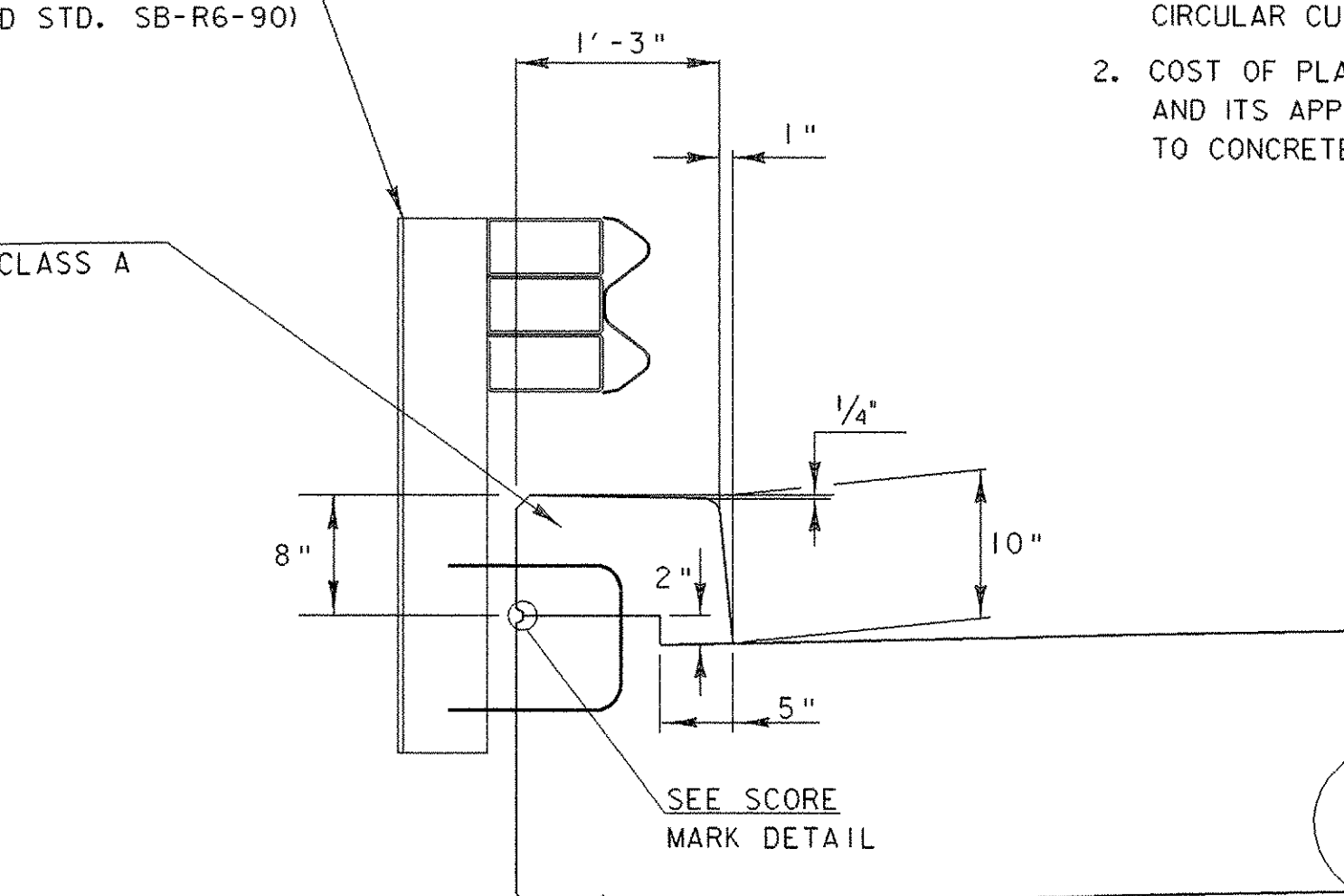


ELEVATION ALONG C OF ROADWAY

SCALE 1/2" = 1'-0"
 1 0 1 2

BRIDGE RAILING HEAVY DUTY STEEL BEAM
 FASCIA MOUNTED (TYP)
 (SEE STD. SB-R7-90 AND STD. SB-R6-90)

CONCRETE
 HIGH PERFORMANCE CLASS A



CURB DETAIL

SCALE 1" = 1'-0"
 1 9 6 3 0 1 2

BRIDGE TYPICALS

| | | | |
|-----------------|--------------------------|--------------|----------------|
| PROJECT NAME: | FAIRFIELD | PLOT DATE: | 28-APR-2005 |
| PROJECT NUMBER: | AC STP ST 0298 (6) | DRAWN BY: | J. REED |
| FILE NAME: | str5/01cl82/sc182typ.dgn | DESIGNED BY: | J. REED |
| PROJECT LEADER: | C. KELLER | CHECKED BY: | W. B. SYMONDS |
| SC182br typ. i | | | SHEET 22 OF 41 |