

TEMPORARY 4" WHITE LINE, PAINT
 PAINTED DURABLE 4" WHITE LINE, THERMOPLASTIC

D 103+50 TO D 112+36 SOLID RT
 D 103+50 TO D 114+50 SOLID LT
 D 112+36 TO D 112+46 SOLID RT (TH 43)
 D 112+59 TO D 113+25 SOLID RT (TH 43)
 D 113+25 TO D 114+50 SOLID RT

TEMPORARY 24" STOP BAR, PAINT
 PAINTED DURABLE 24" STOP BAR, THERMOPLASTIC

D 112+81 TO D 113+03 RT (TH 43)
 TEMPORARY LETTER OR SYMBOL, PAINT
 DURABLE LETTER OR SYMBOL, THERMOPLASTIC
 D 112+88 RT - STOP (TH 43)

EXCAVATION OF SURFACES AND PAVEMENTS
 D 112+76 TO D 113+50 RT

REMOVING SIGNS
 AS SHOWN - 8

ERECTING SALVAGED SIGNS
 AS SHOWN - 1

STONE FILL, TYPE I
 D 110+79 TO 111+20 LT
 D 109+29 TO 111+63 RT

TEMPORARY 4" YELLOW LINE, PAINT
 PAINTED DURABLE 4" YELLOW LINE, THERMOPLASTIC

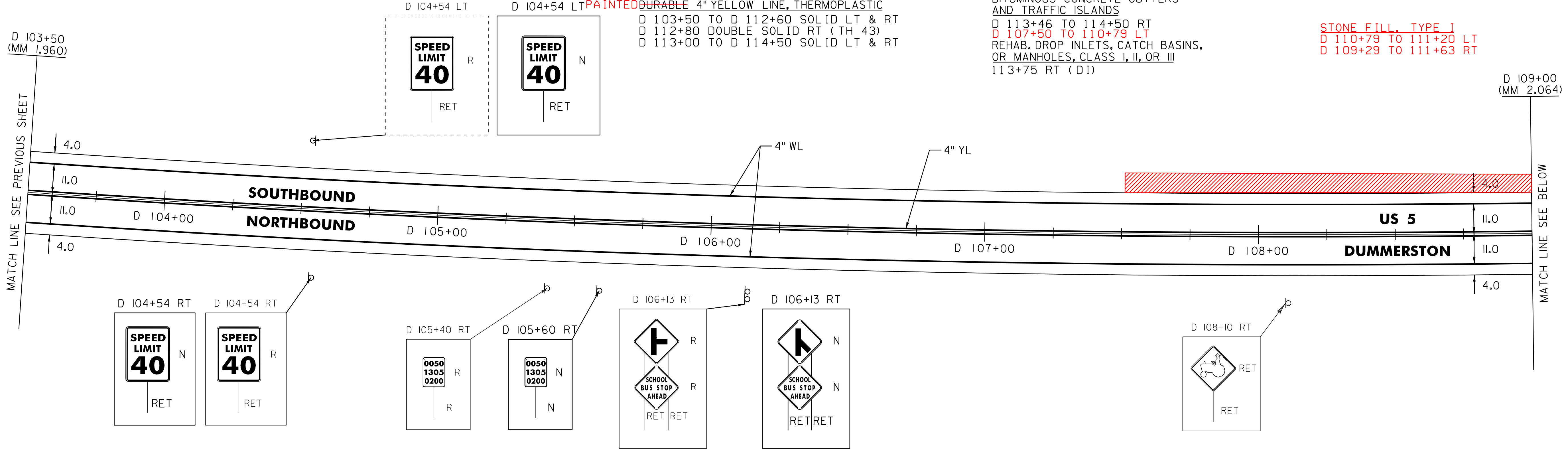
D 103+50 TO D 112+60 SOLID LT & RT
 D 112+80 DOUBLE SOLID RT (TH 43)
 D 113+00 TO D 114+50 SOLID LT & RT

BITUMINOUS CONCRETE GUTTERS
 AND TRAFFIC ISLANDS

D 113+46 TO 114+50 RT
 D 107+50 TO 110+79 LT
 REHAB. DROP INLETS, CATCH BASINS,
 OR MANHOLES, CLASS I, II, OR III
 113+75 RT (DI)

MATCH LINE SEE PREVIOUS SHEET

MATCH LINE SEE BELOW

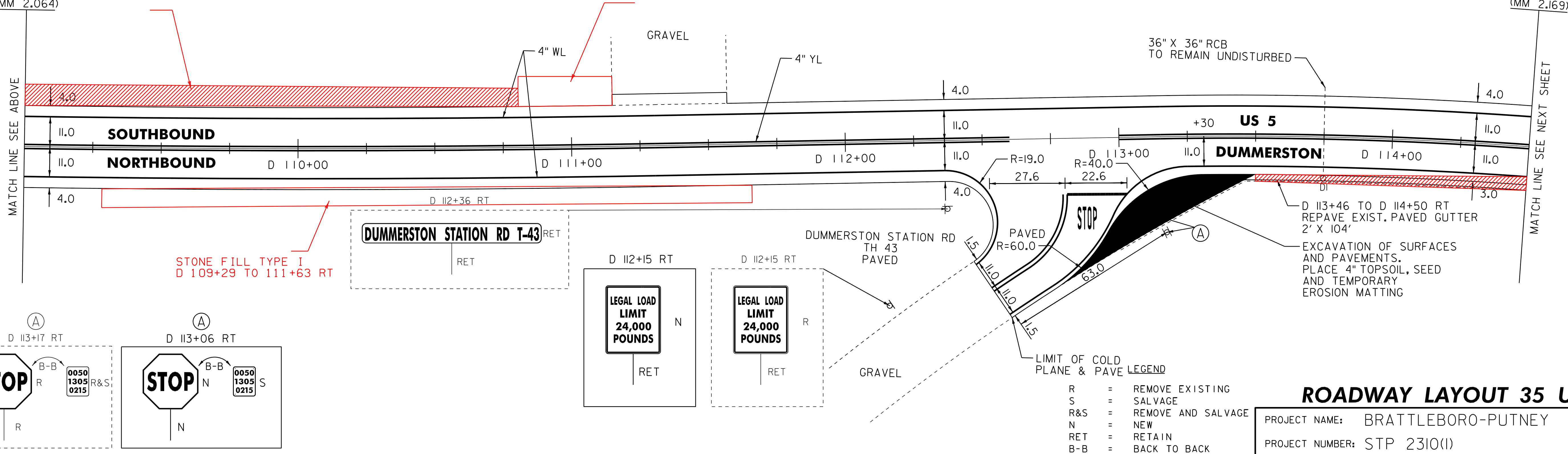


PAVED SWALE DUE TO HOME OWNER
 COMPLAINING OF SEDIMENT RUN OFF
 INTO HIS YARD.

STONE FILL TYPE I
 D 110+79 TO 111+15 LT

MATCH LINE SEE ABOVE

MATCH LINE SEE NEXT SHEET



ROADWAY LAYOUT 35 US 5

PROJECT NAME: BRATTLEBORO-PUTNEY	FILE NAME: /pave/01c032/pc032	PLOT DATE: 02-MAY-2012 17:2
PROJECT NUMBER: STP 2310(I)	PROJECT LEADER: PTS	DRAWN BY: WWG
	DESIGNED BY: NLL	CHECKED BY: NLL/PTS
	IPARM FILE NAME: 01C032.59	SHEET 59 OF 118

NOT TO SCALE