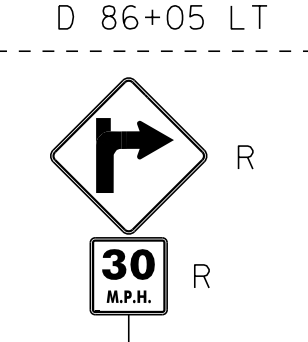


TEMPORARY 4" WHITE LINE, PAINT  
 DURABLE 4" WHITE LINE, THERMOPLASTIC  
 D 83+00 TO D 93+00 SOLID LT & RT

TEMPORARY 4" YELLOW LINE, PAINT  
 DURABLE 4" YELLOW LINE, THERMOPLASTIC  
 D 83+00 TO D 93+00 SOLID LT & RT

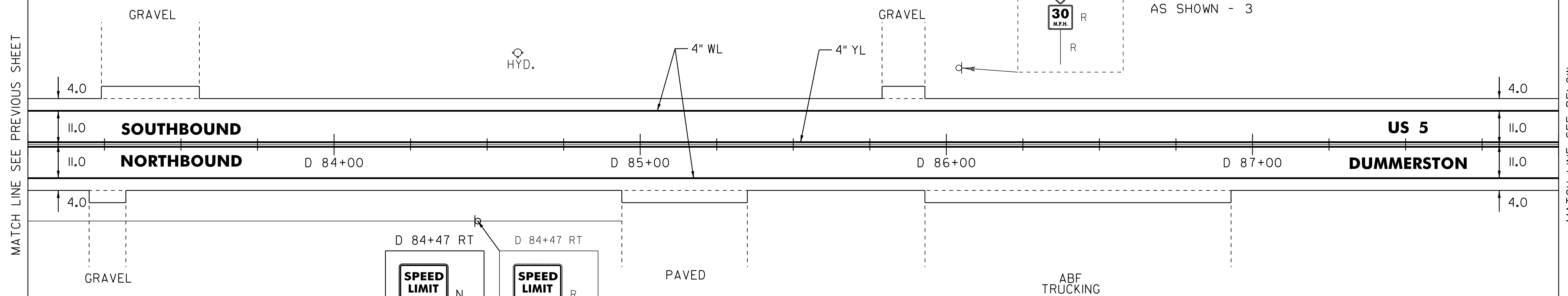
BITUMINOUS CONCRETE GUTTERS  
 AND TRAFFIC ISLANDS  
 D 88+11 TO D 91+07 RT

REMOVING SIGNS  
 AS SHOWN - 3



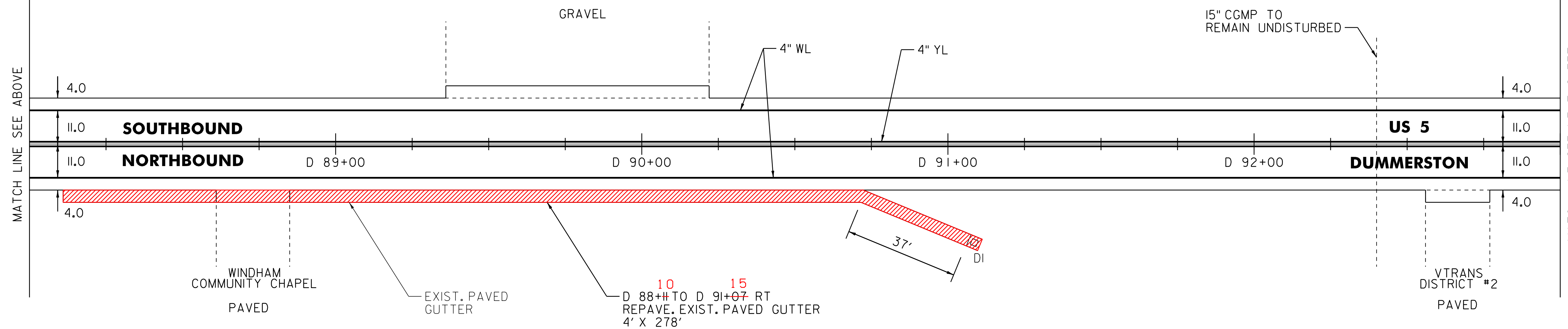
D 83+00  
 (MM 1.572)

D 88+00  
 (MM 1.667)



D 88+00  
 (MM 1.667)

D 93+00  
 (MM 1.761)



LEGEND

- R = REMOVE EXISTING
- S = SALVAGE
- R&S = REMOVE AND SALVAGE
- N = NEW
- RET = RETAIN
- B-B = BACK TO BACK
- = EXISTING GUARDRAIL
- = PROPOSED GUARDRAIL
- YL = YELLOW LINE
- WL = WHITE LINE
- ⊙ = DELINEATOR

**ROADWAY LAYOUT 33 US 5**

PROJECT NAME: BRATTLEBORO-PUTNEY	FILE NAME: /pave/01c032/pc032	PLOT DATE: 02-MAY-2012 17:2
PROJECT NUMBER: STP 2310(I)	PROJECT LEADER: PTS	DRAWN BY: WWG
	DESIGNED BY: NLL	CHECKED BY: NLL/PTS
	IPARM FILE NAME: 01C032.57	SHEET 57 OF 118

NOT TO SCALE