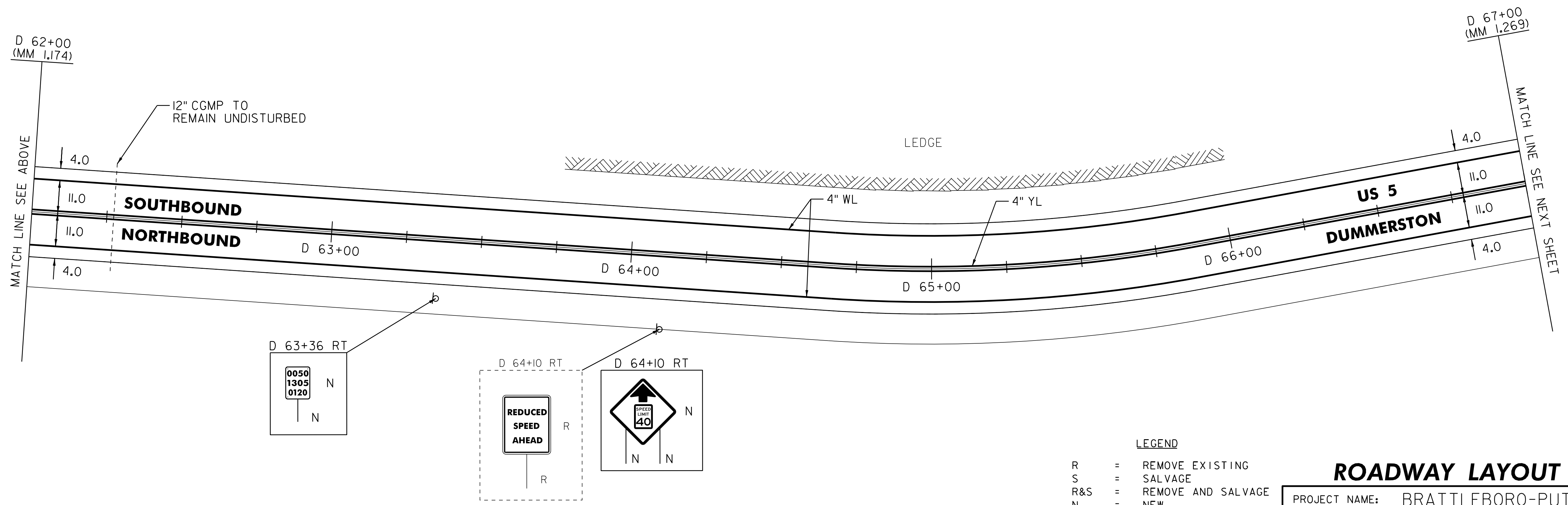
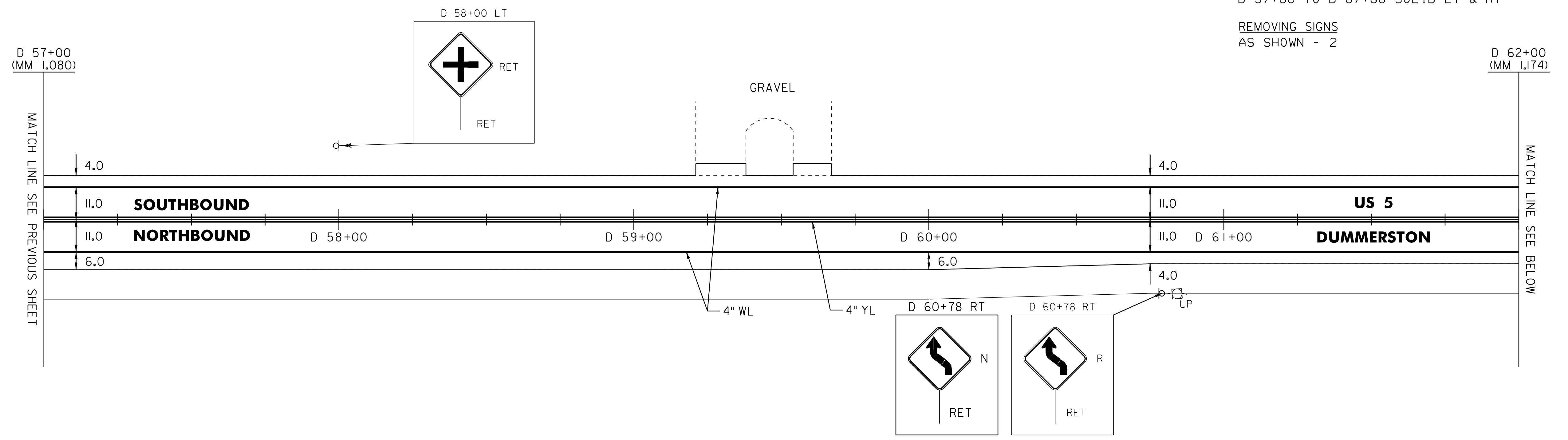


PAINTED DURABLE 4" WHITE LINE, PAINT
 DURABLE 4" WHITE LINE, THERMOPLASTIC
 D 57+00 TO D 67+00 SOLID LT & RT

TEMPORARY 4" YELLOW LINE, PAINT
 PAINTED DURABLE 4" YELLOW LINE, THERMOPLASTIC
 D 57+00 TO D 67+00 SOLID LT & RT

REMOVING SIGNS
 AS SHOWN - 2



- LEGEND**
- R = REMOVE EXISTING
 - S = SALVAGE
 - R&S = REMOVE AND SALVAGE
 - N = NEW
 - RET = RETAIN
 - B-B = BACK TO BACK
 - = EXISTING GUARDRAIL
 - = PROPOSED GUARDRAIL
 - YL = YELLOW LINE
 - WL = WHITE LINE
 - ⊙ = DELINEATOR

ROADWAY LAYOUT 30 US 5

PROJECT NAME: BRATTLEBORO-PUTNEY
 PROJECT NUMBER: STP 2310(I)

FILE NAME: /pave/01c032/pc032
 PROJECT LEADER: PTS
 DESIGNED BY: NLL
 IPARM FILE NAME: 01C032.54

PLOT DATE: 02-MAY-2012 17:2
 DRAWN BY: WWG
 CHECKED BY: NLL/PTS
 SHEET 54 OF 118

NOT TO SCALE