

STONE FILL, TYPE I
D 33+18 TO 33+85 LT

PAINTED DURABLE 4" WHITE LINE, THERMOPLASTIC
D 31+50 TO D 42+00 SOLID LT & RT

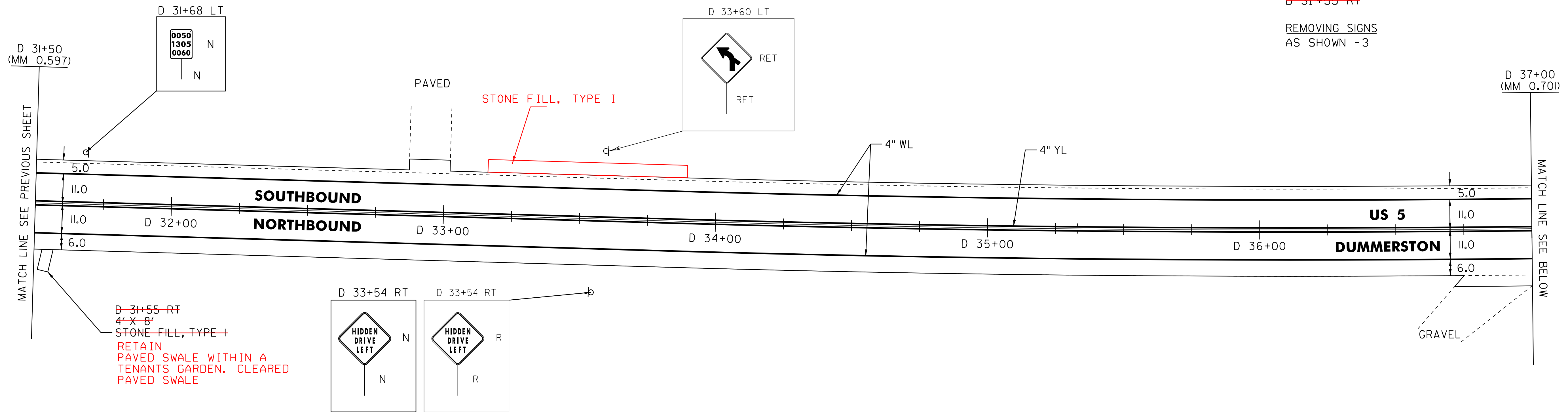
THINNING AND TRIMMING
FOR SIGNS
D 33+60 LT

PAINTED DURABLE 4" YELLOW LINE, THERMOPLASTIC
D 31+50 TO D 42+00 SOLID LT & RT

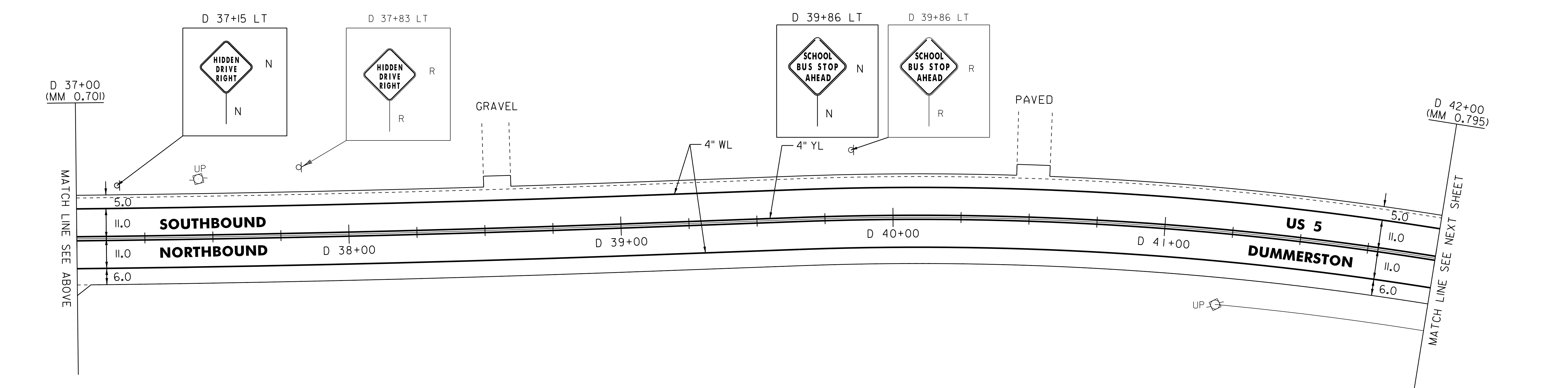
~~STONE FILL, TYPE I
D 31+55 RT~~

~~REMOVING SIGNS
AS SHOWN - 3~~

THINNING AND TRIMMING
DONE FOR THIS SIGN



~~D 31+55 RT
4' X 8'
STONE FILL, TYPE I~~
RETAIN
PAVED SWALE WITHIN A
TENANTS GARDEN. CLEARED
PAVED SWALE



LEGEND

- R = REMOVE EXISTING
- S = SALVAGE
- R&S = REMOVE AND SALVAGE
- N = NEW
- RET = RETAIN
- B-B = BACK TO BACK
- = EXISTING GUARDRAIL
- = PROPOSED GUARDRAIL
- YL = YELLOW LINE
- WL = WHITE LINE
- o = DELINEATOR

ROADWAY LAYOUT 27 US 5

PROJECT NAME: BRATTLEBORO-PUTNEY
PROJECT NUMBER: STP 2310(I)

FILE NAME: /pave/01c032/pc032	PLOT DATE: 02-MAY-2012 17:2
PROJECT LEADER: PTS	DRAWN BY: WWG
DESIGNED BY: NLL	CHECKED BY: NLL/PTS
IPARM FILE NAME: 01C032.51	SHEET 51 OF 118

NOT TO SCALE