

TEMPORARY 4" WHITE LINE, PAINT
 DURABLE 4" WHITE LINE, THERMOPLASTIC
 D 5+00 TO D 9+88 SOLID LT
 D 5+00 TO D 15+50 SOLID RT
 D 10+70 TO D 15+50 SOLID LT

TEMPORARY 4" YELLOW LINE, PAINT
 DURABLE 4" YELLOW LINE, THERMOPLASTIC
 D 5+00 TO D 10+08 SOLID LT & RT
 D 10+48 TO D 15+50 SOLID LT & RT

REMOVAL AND DISPOSAL OF GUARDRAIL
 D 5+00 TO D 7+22 LT
 D 10+48 TO D 15+50 LT

STEEL BEAM GUARDRAIL, GALVANIZED
 D 5+00.0 TO D 6+84.5 LT
 D 10+48.0 TO D 15+50.0 LT

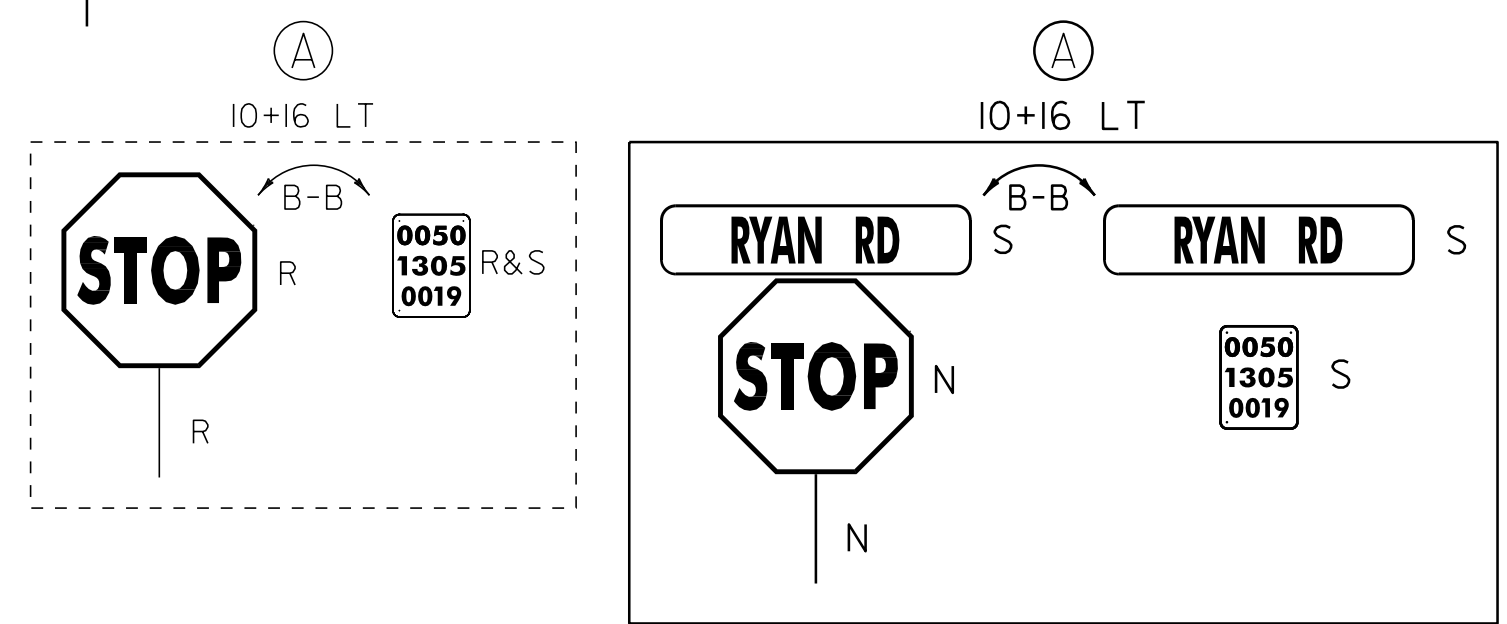
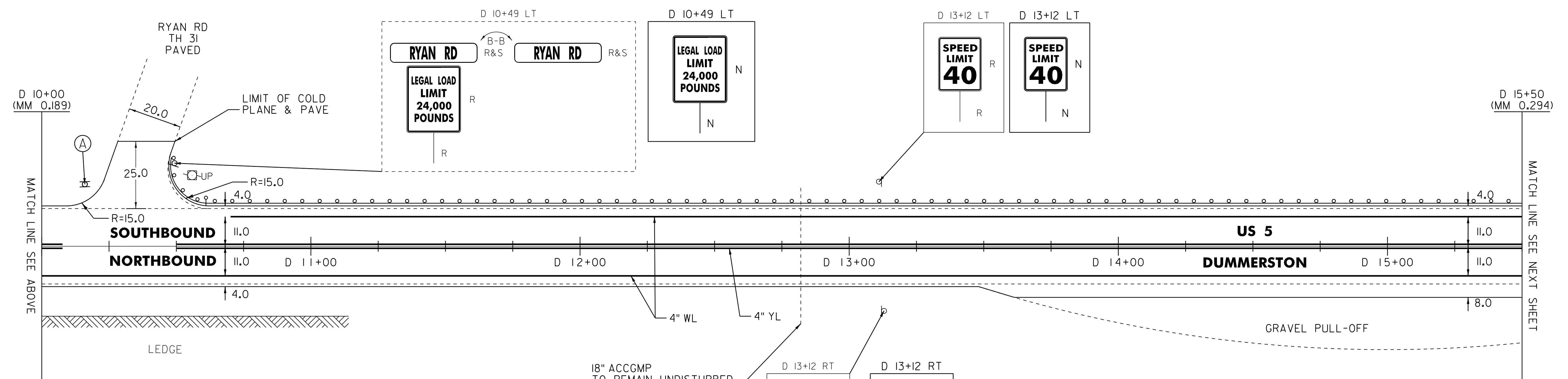
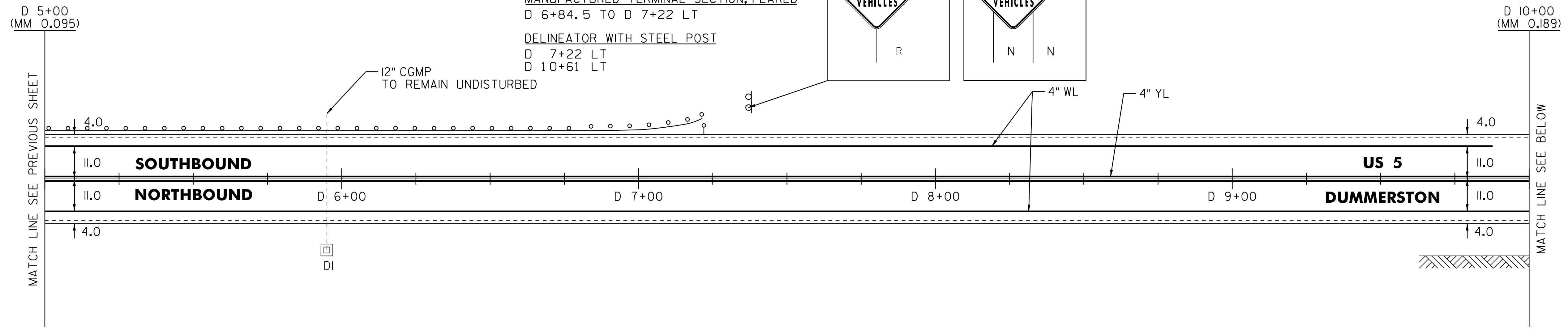
ANCHOR FOR STEEL BEAM RAIL
 D 10+48 LT

MANUFACTURED TERMINAL SECTION, FLARED
 D 6+84.5 TO D 7+22 LT

DELINEATOR WITH STEEL POST
 D 7+22 LT
 D 10+61 LT

REMOVING SIGNS
 AS SHOWN - 8

ERECTING SALVAGED SIGNS
 AS SHOWN - 3



- LEGEND
- R = REMOVE EXISTING
 - S = SALVAGE
 - R&S = REMOVE AND SALVAGE
 - N = NEW
 - RET = RETAIN
 - B-B = BACK TO BACK
 - S-S = EXISTING GUARDRAIL
 - = PROPOSED GUARDRAIL
 - YL = YELLOW LINE
 - WL = WHITE LINE
 - = DELINEATOR

ROADWAY LAYOUT 24 US 5

PROJECT NAME: BRATTLEBORO-PUTNEY
 PROJECT NUMBER: STP 2310(I)

FILE NAME: /pave/01c032/pc032
 PROJECT LEADER: PTS
 DESIGNED BY: NLL
 IPARM FILE NAME: OIC032_48

PLOT DATE: 02-MAY-2012 17:2
 DRAWN BY: WWG
 CHECKED BY: NLL/PTS
 SHEET 48 OF 118

NOT TO SCALE