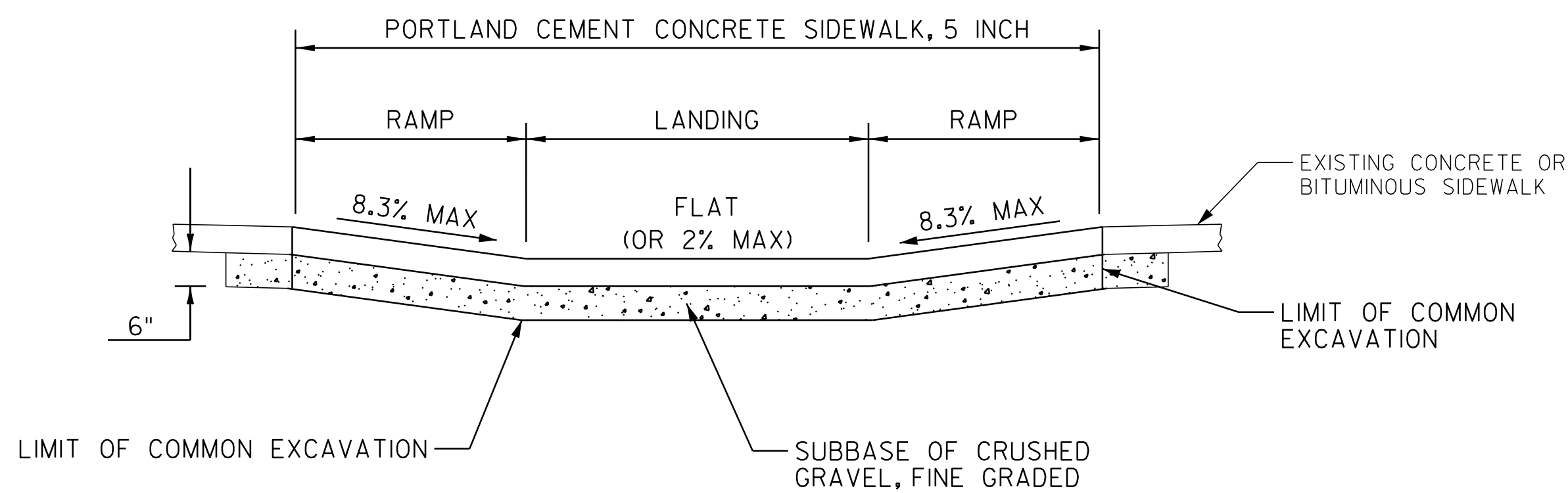
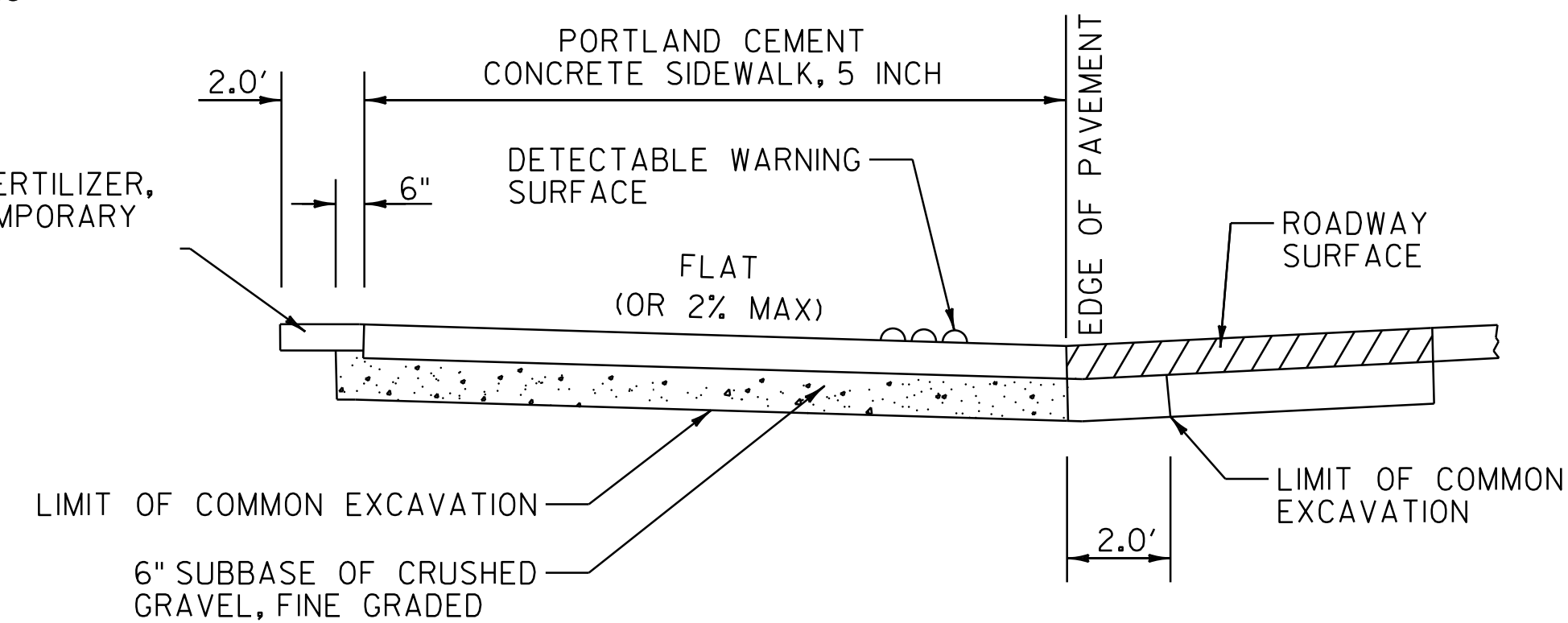


PLAN



SECTION A-A

4" TOPSOIL, SEED, FERTILIZER, LIMESTONE AND TEMPORARY EROSION MATTING



SECTION B-B

SIDEWALK RAMP PAY LIMIT DETAILS

NOTE: THIS DETAIL IS FOR PAY LIMITS ONLY. FOR INDIVIDUAL RAMP CONFIGURATIONS, SLOPES, DIMENSIONS, ETC., SEE VTRANS STANDARDS C-3A & C-3B.

SIDEWALK PAY LIMITS SHEET

PROJECT NAME: BRATTLEBORO-PUTNEY	FILE NAME: /pave/01c032/pc032	PLOT DATE: 02-MAY-2012 17:2
PROJECT NUMBER: STP 2310(I)	PROJECT LEADER: PTS	DRAWN BY: WWG
	DESIGNED BY: NLL	CHECKED BY: NLL/PTS
	IPARM FILE NAME: 01C032.II	SHEET II OF 118