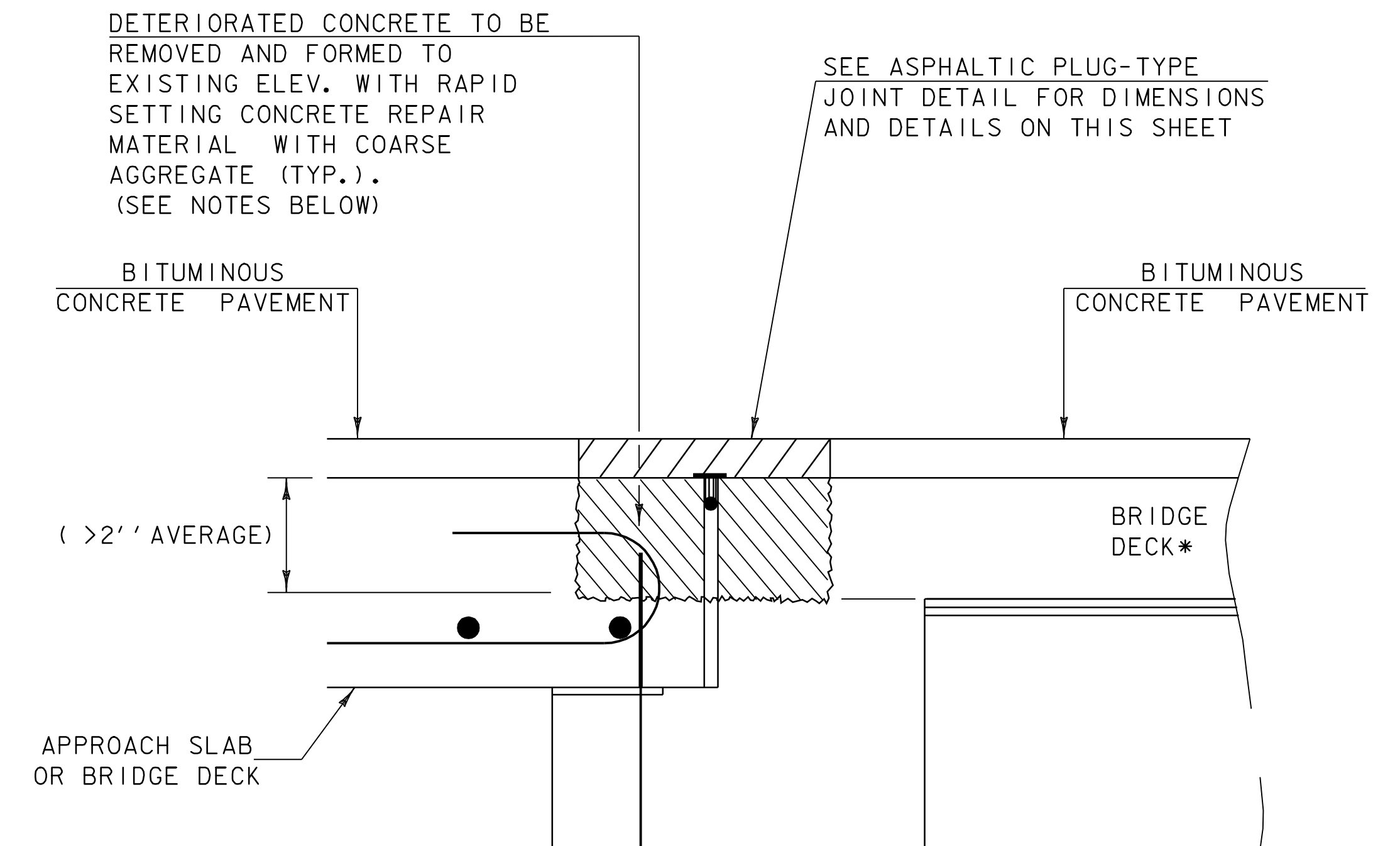


**ASPHALTIC PLUG-TYPE
JOINT DETAIL
REMOVAL OF UP TO
2" DETERIORATED CONCRETE**

NOT TO SCALE

NOTES:

- UPON ENCOUNTERING UP TO 2" AVERAGE OF DETERIORATED CONCRETE, THE CONTRACTOR SHALL REMOVE THE DETERIORATED MATERIAL AND REPLACE IT WITH THE ASPHALTIC PLUG JOINT MATERIAL AS DIRECTED BY THE RESIDENT ENGINEER.
- REMOVAL OF THE DETERIORATED CONCRETE WILL NOT BE PAID SEPARATELY BUT WILL BE CONSIDERED INCIDENTAL TO THE UNIT BID PRICE FOR THE ITEM 516.10. THE ADDITIONAL PLUG JOINT MATERIAL BELOW THE DESIGN DEPTH TO REPLACE THE DETERIORATED CONCRETE WILL BE CONSIDERED INCIDENTAL TO THE UNIT BID PRICE FOR THE ITEM 516.10.
- THE STEEL PLATE IN THE ASPHALTIC PLUG JOINT MAY BE OMITTED ONLY IF THE REPAIRED SURFACE IS SO IRREGULAR IT WILL CAUSE VERTICAL MOVEMENT AND IT IS DIRECTED BY THE RESIDENT ENGINEER.



**ASPHALTIC PLUG-TYPE
JOINT DETAIL
REMOVAL OF >2"
DETERIORATED CONCRETE**

NOT TO SCALE

NOTES:

- UPON ENCOUNTERING GREATER THAN 2" AVERAGE OF DETERIORATED CONCRETE, THE CONTRACTOR SHALL REMOVE THE DETERIORATED MATERIAL AND REPLACE IT WITH RAPID SETTING CONCRETE REPAIR MATERIAL WITH COARSE AGGREGATE.
- REMOVAL OF THE DETERIORATED CONCRETE WILL BE INCLUDED IN THE UNIT BID PRICE FOR ITEM 580.20 "RAPID SETTING CONCRETE REPAIR MATERIAL WITH COARSE AGGREGATE".
- THE STEEL PLATE IN THE ASPHALTIC PLUG JOINT MAY BE OMITTED ONLY IF THE REPAIRED SURFACE IS SO IRREGULAR IT WILL CAUSE VERTICAL MOVEMENT AND IT IS DIRECTED BY THE RESIDENT ENGINEER.

*BRIDGE DECK REINFORCEMENT NOT SHOWN FOR CLARITY

DATUM	
VERTICAL	N/A
HORIZONTAL	N/A

**PROJECT
TYPICAL
SHEET 5**

SURVEYED BY	CLD	DATE	1/05
DRAWN BY	MRS	DATE	7/06
SQUAD LEADER	CRB		
DESIGN FILE NO.	/pave/01b038/pb038.dgn		
IPARM FILE	pb038ty05.i	DATE PLOTTED	OCT-2009 10
PROJ. NAME	CHESTER - LUDLOW		
PROJ. NO.	NH 2326(1)S		
SHEET	6A	OF	110 SHEETS