

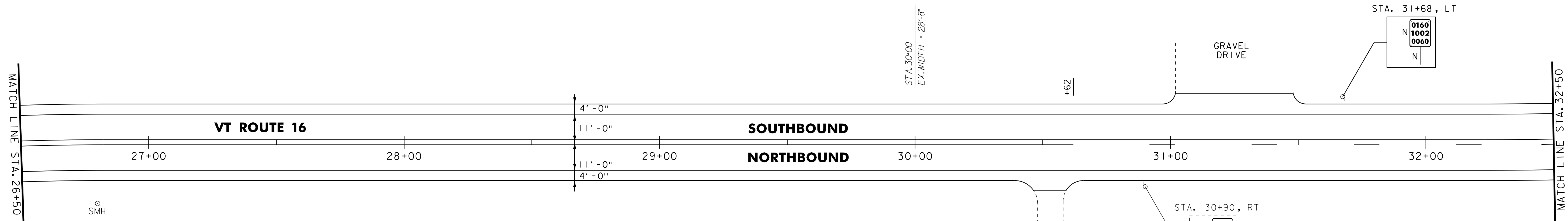
646.402 DURABLE 4 INCH WHITE LINE, THERMOPLASTIC
 (ALL LINES WILL INCLUDE EDGE LINE BREAKS AND
 RADII FOR SIDE ROADS)
 STA. 26+50 TO 32+50, SOLID LT & RT

646.412 DURABLE 4 INCH YELLOW LINE, THERMOPLASTIC
 (ALL LINES WILL INCLUDE C BREAKS FOR SIDE ROADS)
 STA. 26+50 TO 30+62, SOLID LT & RT
 STA. 30+62 TO 32+50, SOLID LT, DASHED RT

646.602 TEMPORARY 4 INCH WHITE LINE, PAINT
 (ALL LINES WILL INCLUDE EDGE LINE BREAKS AND
 RADII FOR SIDE ROADS)
 STA. 26+50 TO 32+50, SOLID LT & RT

646.612 TEMPORARY 4 INCH YELLOW LINE, PAINT
 (ALL LINES WILL INCLUDE C BREAKS FOR SIDE ROADS)
 STA. 26+50 TO 30+62, SOLID LT & RT
 STA. 30+62 TO 32+50, SOLID LT, DASHED RT

675.50 REMOVING SIGNS
 AS SHOWN - 1

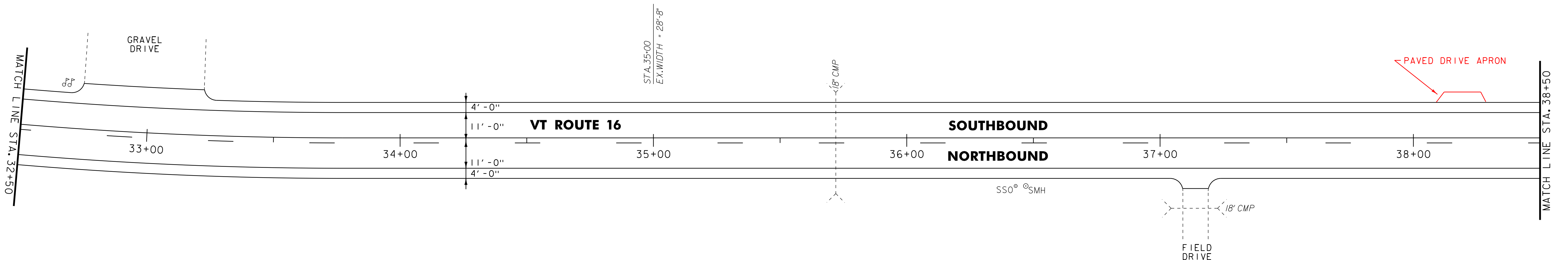


646.402 DURABLE 4 INCH WHITE LINE, THERMOPLASTIC
 (ALL LINES WILL INCLUDE EDGE LINE BREAKS AND
 RADII FOR SIDE ROADS)
 STA. 32+50 TO 38+50, SOLID LT & RT

646.412 DURABLE 4 INCH YELLOW LINE, THERMOPLASTIC
 (ALL LINES WILL INCLUDE C BREAKS FOR SIDE ROADS)
 STA. 32+50 TO 38+50, SOLID LT, DASHED RT

646.602 TEMPORARY 4 INCH WHITE LINE, PAINT
 (ALL LINES WILL INCLUDE EDGE LINE BREAKS AND
 RADII FOR SIDE ROADS)
 STA. 32+50 TO 38+50, SOLID LT & RT

646.612 TEMPORARY 4 INCH YELLOW LINE, PAINT
 (ALL LINES WILL INCLUDE C BREAKS FOR SIDE ROADS)
 STA. 32+50 TO 38+50, SOLID LT, DASHED RT



- NOTES:
1. FOR LEGENDS, SEE LAYOUT SHEET #1.
 2. ALL EXISTING SIGNS NOT SHOWN SHALL BE RETAINED.

NOT TO SCALE

**PROJECT
 LAYOUT
 SHEET #24**



PROJECT NAME: GLOVER - BARTON
 PROJECT NUMBER: STP 2318(I)

FILE NAME: p01b034.dgn
 PROJECT LEADER: JLL
 DESIGNED BY: STANTEC
 IPARM FILE: p01b034I24.i

PLOT DATE: 28-NOV-2012 15:0
 DRAWN BY: STANTEC
 CHECKED BY: STANTEC
 SHEET 36 OF 60