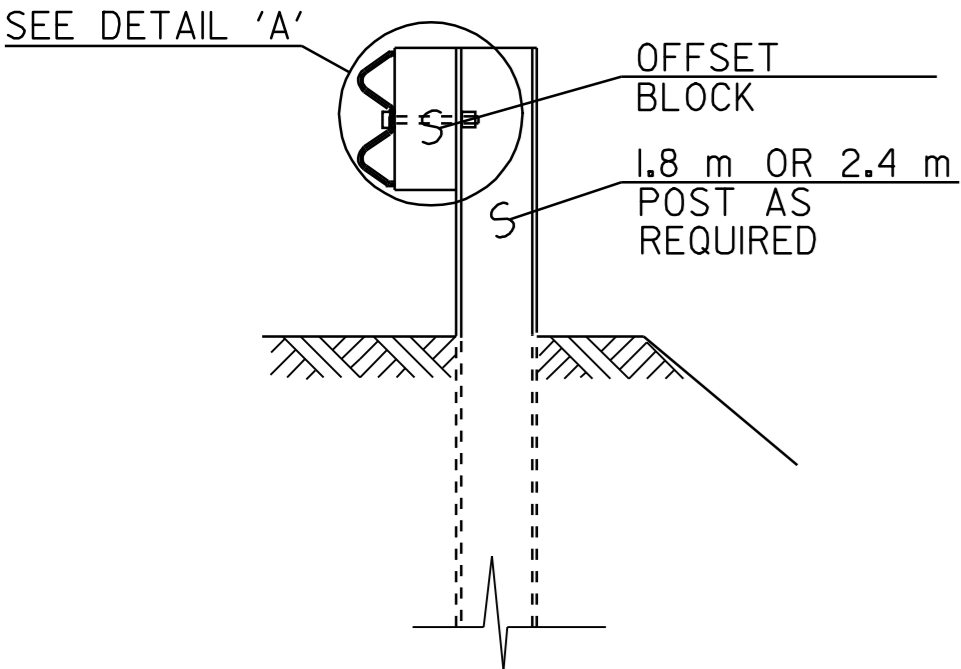


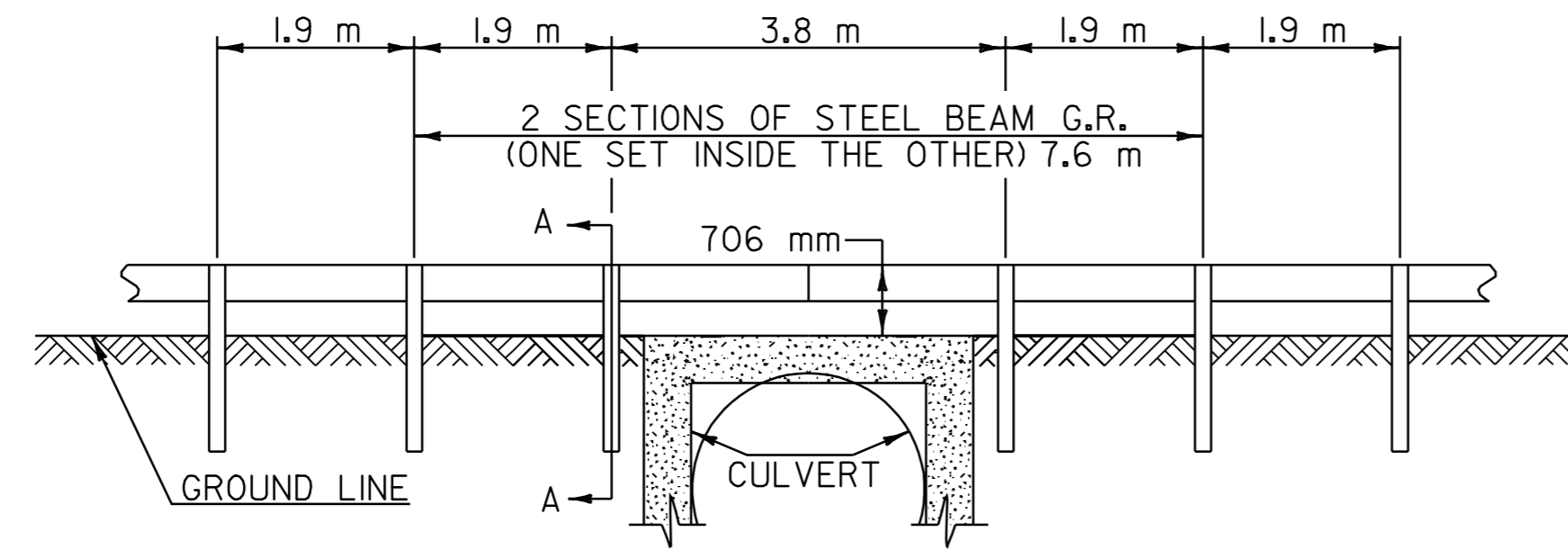
DETAIL A
NOT TO SCALE

NOTES

1. SEE STANDARD G-1M FOR STEEL BEAM GUARDRAIL DETAILS.
2. THIS WORK SHALL BE PAID UNDER ITEM 621.20 STEEL BEAM GUARDRAIL AT A PAY FACTOR OF 1.0.
3. THIS DETAIL TO BE USED AS INDICATED ON THE ITEM DETAIL SUMMARY SHEETS OR AS DIRECTED BY THE RESIDENT ENGINEER.

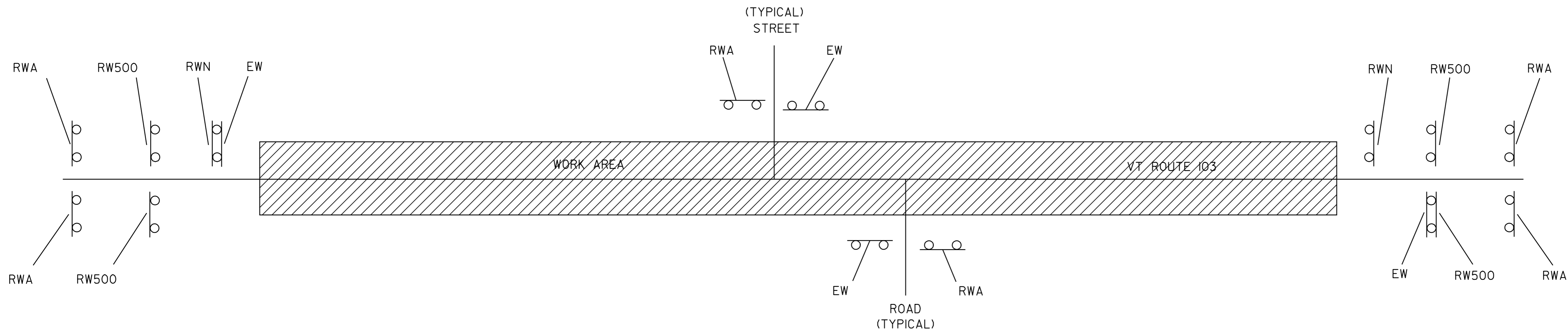


SECTION A-A
NOT TO SCALE



DETAIL OF STEEL BEAM GUARDRAIL AT SMALL CULVERTS

NOT TO SCALE



LEGEND

- RWA = ROAD WORK AHEAD
- RW500 = ROAD WORK 500 FEET
- EW = END WORK
- RWN = ROAD WORK NEXT 5 MILES

CONSTRUCTION APPROACH SIGNING

SEE STD. E-100M FOR SIGN PLACEMENT

RESIDENT ENGINEER, AT HIS OR HER DISCRETION, MAY ELIMINATE CONSTRUCTION APPROACH SIGNING AT DEAD END LOCATIONS

**GUARDRAIL
DETAIL &
CONSTRUCTION
APPROACH
SIGNING
SHEET**

SURVEYED BY	N/A	DATE	N/A
DRAWN BY	C.A.K.	DATE	
SQUAD LEADER	T.P.K.		
DESIGN FILE NO.	/pave/01b024/pb024.dgn		
IPARM FILE	pb024qd.I	DATE PLOTTED	\$DATE\$
PROJ. NAME	LUDLOW - MI. HOLLY		
PROJ. NO.	NH_232I(S)		
SHEET	84	OF	84 SHEETS

DATUM	
VERTICAL	N/A
HORIZONTAL	N/A