

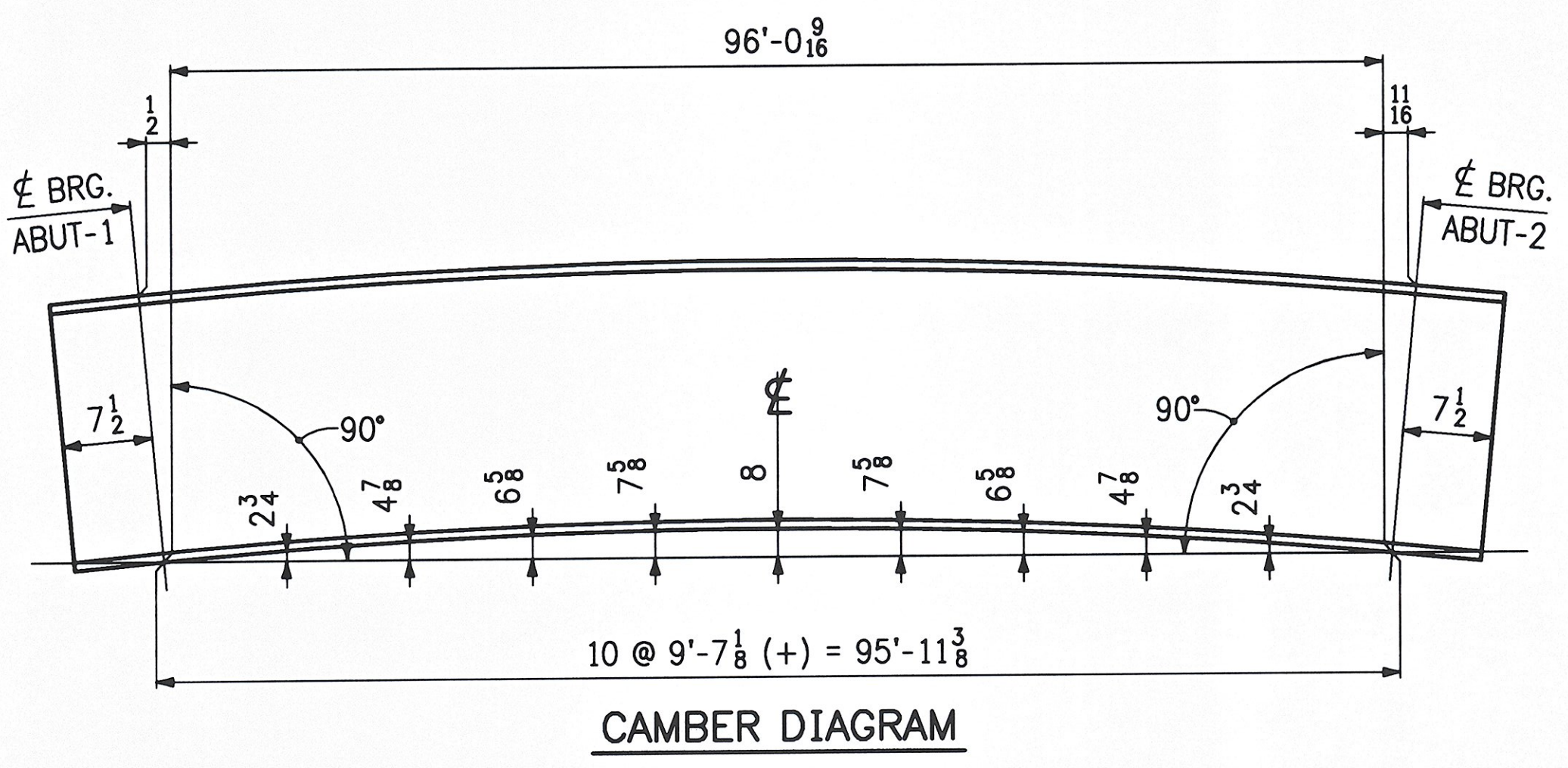
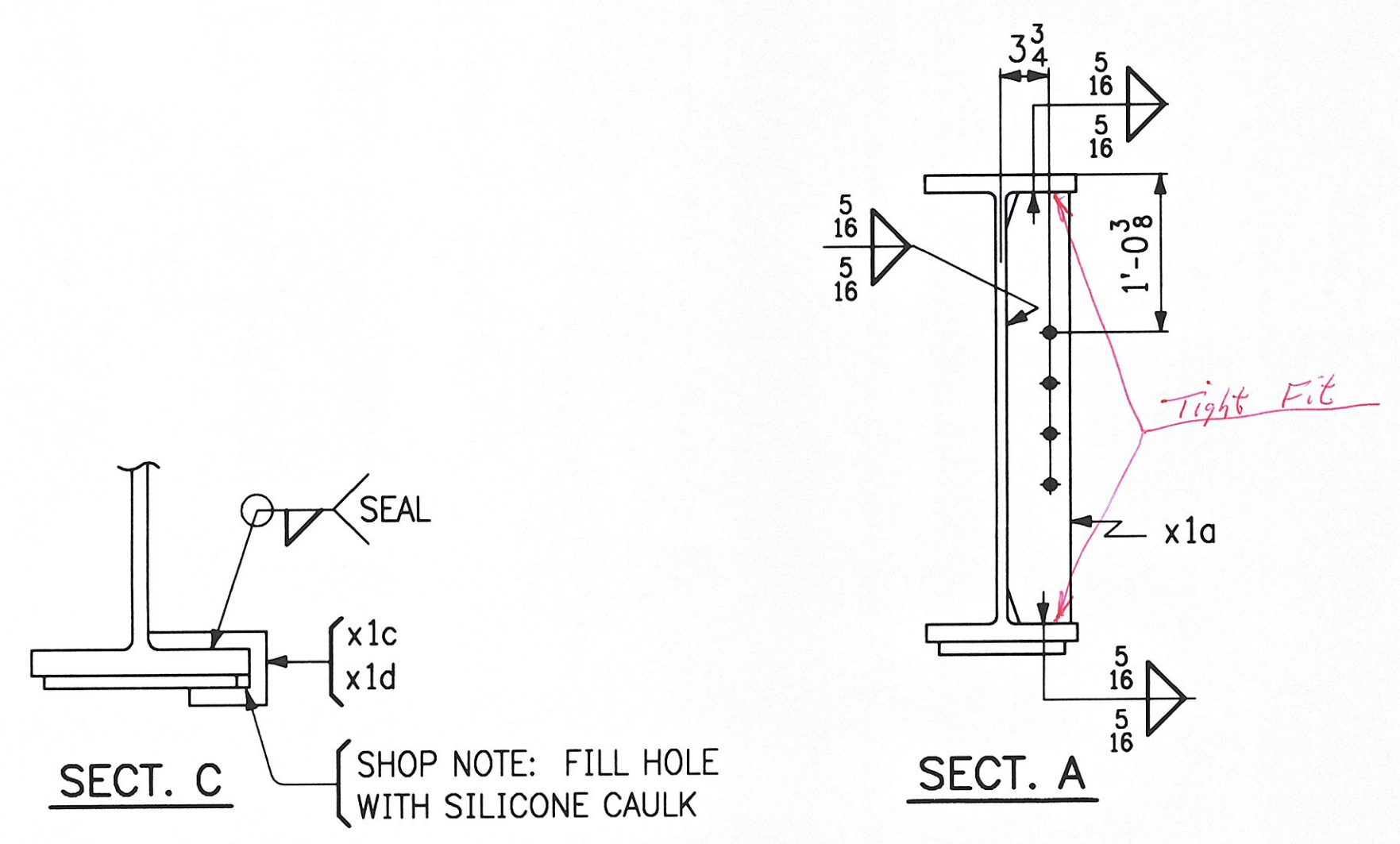
ABM INFO		SHIP		BILL OF MATERIAL				JOB No. 6065		REV.
PAGE	LINE	MARK	QTY.	MARK	MATERIAL	LENGTH	REMARKS	WEIGHT	PROCUREMENT	
						FT.			NOTES	
		3S4A	ONE		STRINGER			23 839 lbs.		
1	10		1		W36 x 210	97	M270-50WT2			
1	11		1	pa	PL 1 x 10	97	M270-50WT2			
1	12		4	x1a	PL 1/2 x 5	2				
1	13		1	x1c	PL 1/4 x 4 3/8	0				
1	13		1	x1d	PL 1/4 x 4 3/8	0				

SECT. B1

SECT. B2

NOTES:

- HOLES: 13/16" (UN.)
- BOLTS: NONE
- MAT'L: M270-50W (UN.)
- PAINT: NONE
- FOR STRINGER STANDARD DETAILS SEE SHT. X1
- FOR GENERAL NOTES & TYPICAL DETAILS SEE SHT. GN1



CAMBER DIAGRAM

REV.	DATE	DESCRIPTION	QTY.	DATE	ISSUED TO	FOR
			8	3/9/06	F.W. Whitcomb	Approval

PROJECT: T.H. NO. 1 OVER SAXTONS RIVER (BRIDGE NO. 16G)
 LOCATION: PROJ. NO. TH2-0104 GRAFTON, VERMONT
 ENGINEER: VANASSE HANGEN BRUSTLIN, INC.
 CUSTOMER: FRANK W. WHITCOMB CONST.
 DRAWING TITLE: STRINGER ~ 3S4A
 DRAWN BY: CPM 3-3-06 JOB NUMBER: 6065 SHEET NUMBER: 3
 CHECKED BY: [Signature] 3-6-06

EB LLC
 EASTERN BRIDGE LLC
 RURAL RTE 2, BOX 302
 CLAREMONT, NH 03743
 603-542-5202