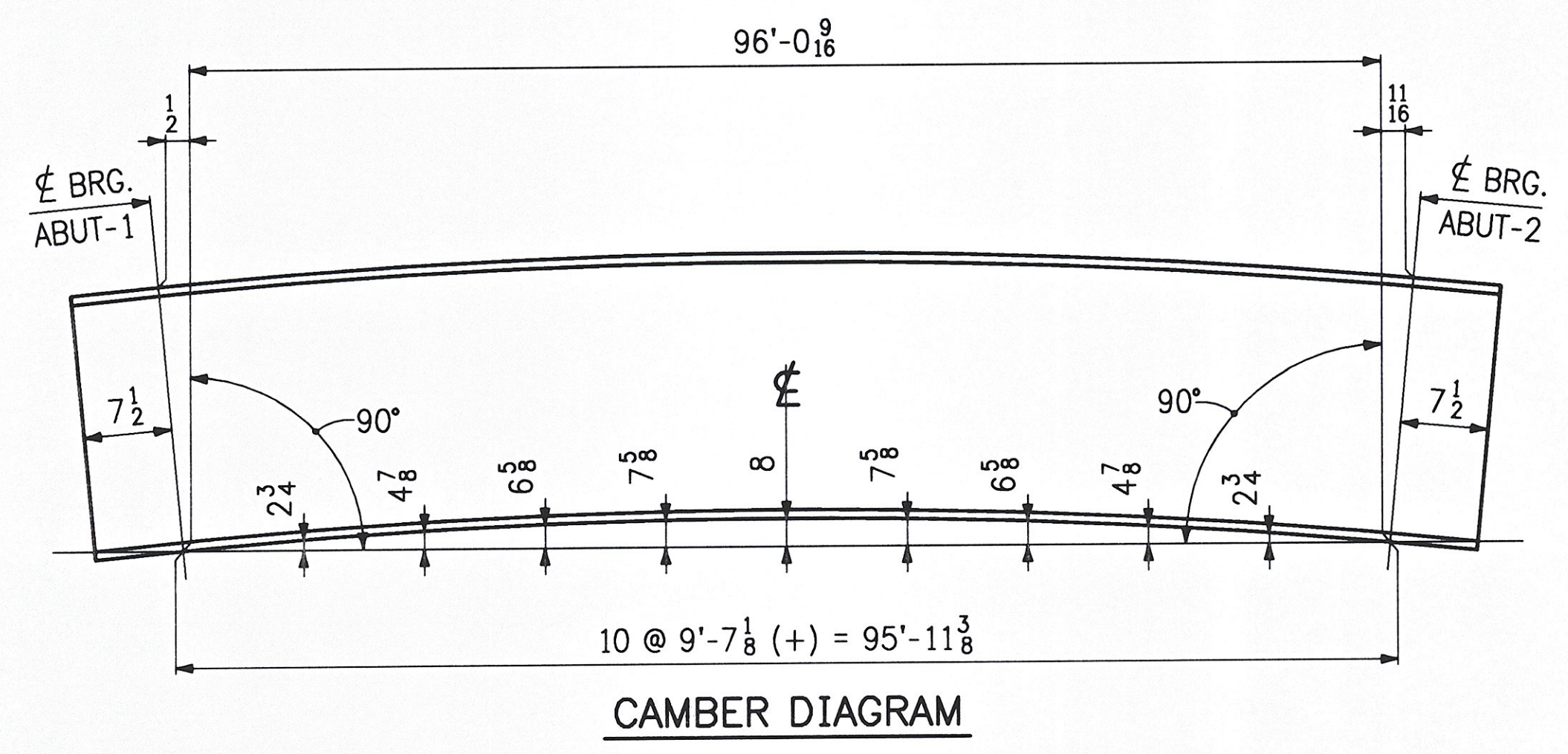
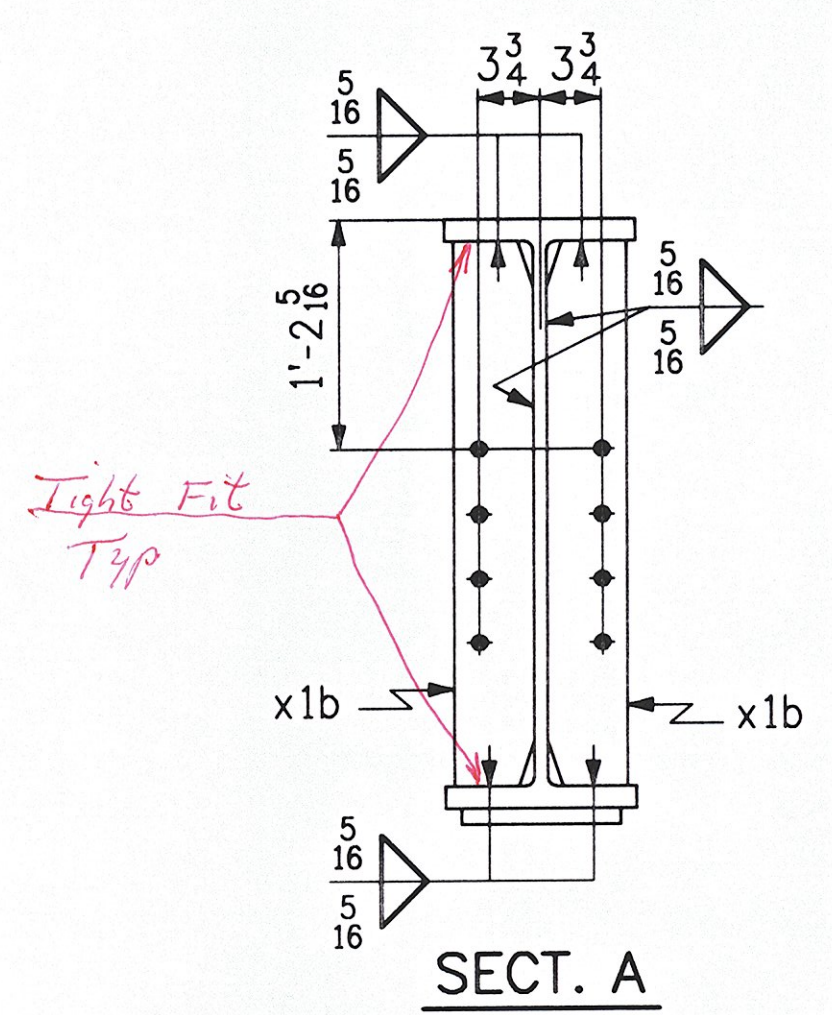


ABM INFO		SHIP		BILL OF MATERIAL				JOB No.	REV.	
PAGE	LINE	MARK	QTY.	MARK	MATERIAL	LENGTH FT.	IN.	REMARKS	WEIGHT	PROCUREMENT NOTES
		2S2A	ONE		STRINGER				23 930 lbs.	
1	10		1		W36 x 210	97	3 ⁹ / ₁₆	M270-50WT2		
1	11		1	pa	PL 1 x 10	97	1 ³ / ₈	M270-50WT2		
1	12		8	x1b	PL 1/2 x 5	2	10			
		2S3A	ONE		STRINGER				23 930 lbs.	
1	10		1		W36 x 210	97	3 ⁹ / ₁₆	M270-50WT2		
1	11		1	pa	PL 1 x 10	97	1 ³ / ₈	M270-50WT2		
1	12		8	x1b	PL 1/2 x 5	2	10			

NOTES:
 HOLES: 15/16" (UN).
 BOLTS: NONE
 MAT'L: M270-50W (UN).
 PAINT: NONE
 FOR STRINGER STANDARD DETAILS SEE SHT. X1
 FOR GENERAL NOTES & TYPICAL DETAILS SEE SHT. GN1



REV.	DATE	DESCRIPTION	QTY.	DATE	ISSUED TO	FOR
			8	3/9/06	F. W. Whitcomb	Approval

E B LLC
 EASTERN BRIDGE LLC
 RURAL RTE 2, BOX 302
 CLAREMONT, NH 03743
 603-542-5202

PROJECT: T.H. NO. 1 OVER SAXTONS RIVER (BRIDGE NO. 16G)
 LOCATION: PROJ. NO. TH2-0104 GRAFTON, VERMONT
 ENGINEER: VANASSE HANGEN BRUSTLIN, INC.
 CUSTOMER: FRANK W. WHITCOMB CONST.
 DRAWING TITLE: STRINGERS ~ 2S2A & 2S3A
 DRAWN BY: CPM 3-3-06
 CHECKED BY: [Signature] 3-6-06
 JOB NUMBER: 6065
 SHEET NUMBER: 2