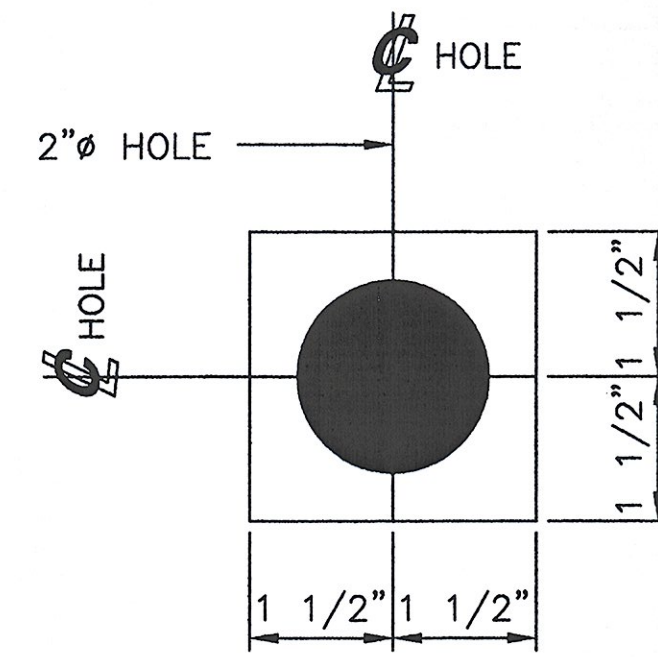
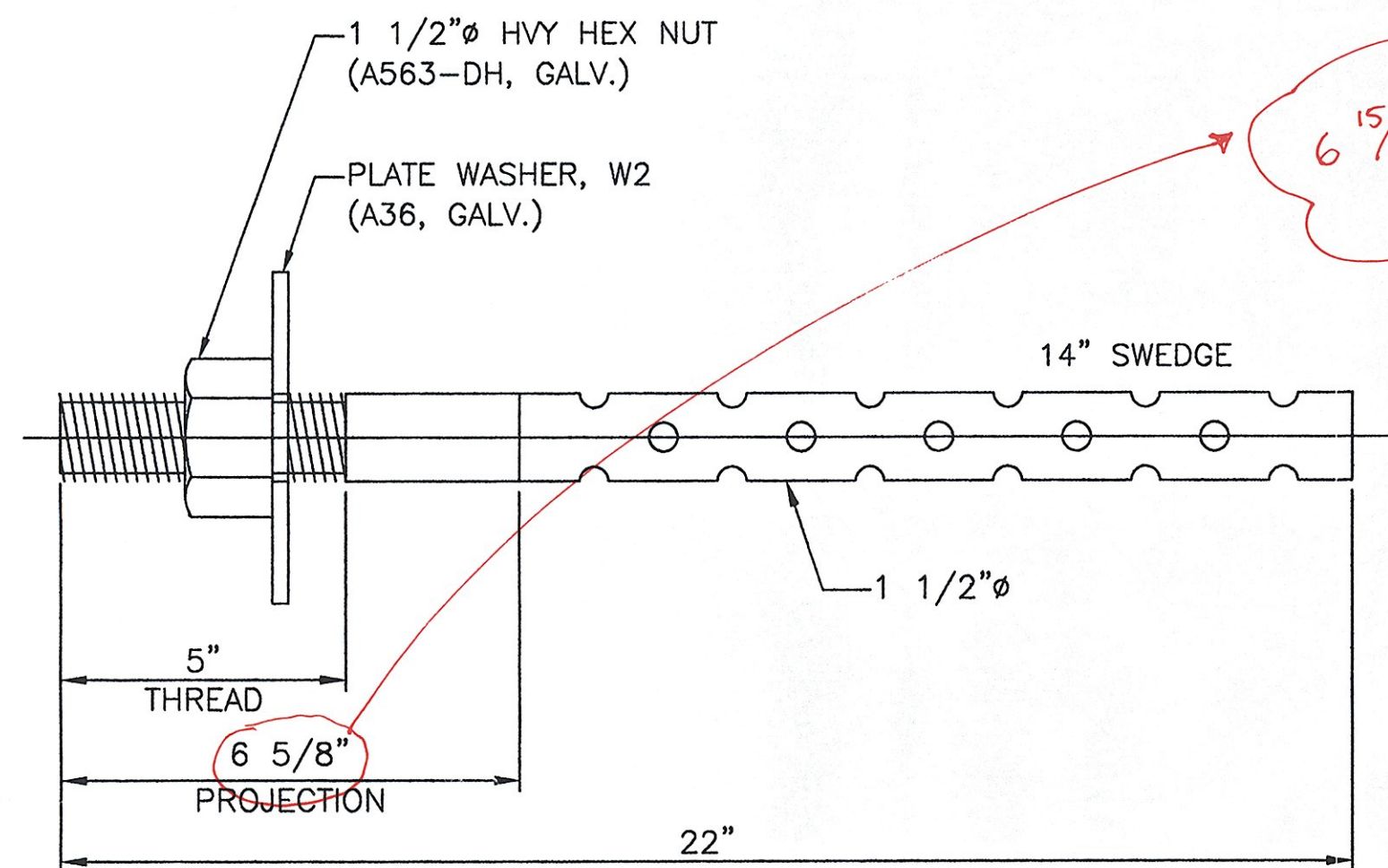


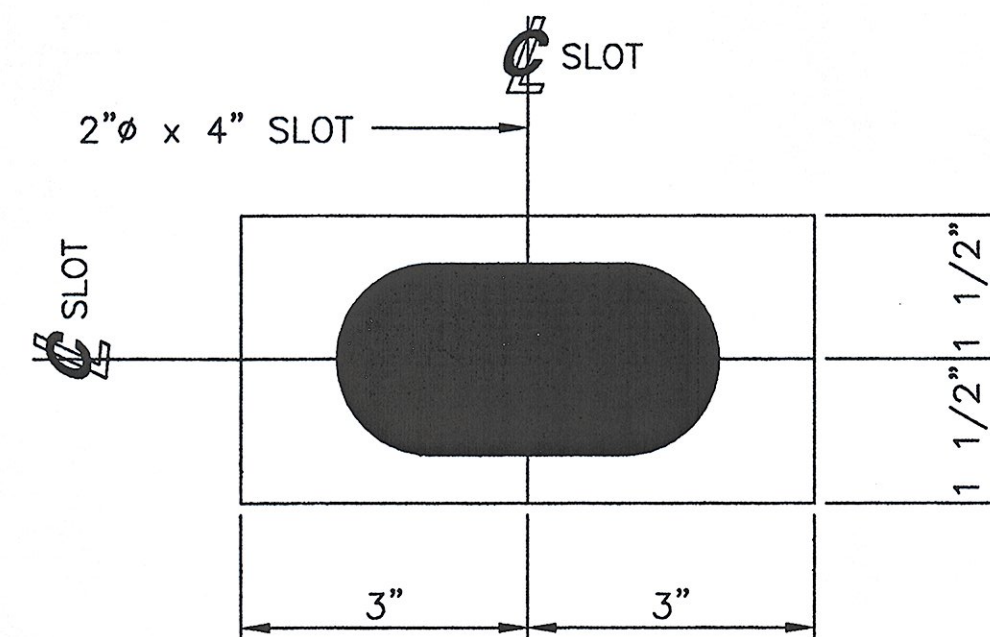
**8 ANCHOR BOLTS, AB1**  
 RD 1 1/2"  $\phi$  x 21 5/8"  
 F1554 GR. 55 (GALV.)  
 MIN. EMBED: 15"  
 LOCATE AT  
 ABUTMENT 1



**8 PLATE WASHERS, W1**  
 PL 3/8" x 3" x 3"  
 (GALV.)  
 USE WITH  
 ANCHOR BOLT, AB1



**8 ANCHOR BOLTS, AB2**  
 RD 1 1/2"  $\phi$  x 22"  
 F1554 GR. 55 (GALV.)  
 MIN. EMBED: 15"  
 LOCATE AT  
 ABUTMENT 2



**8 PLATE WASHERS, W2**  
 PL 3/8" x 3" x 6"  
 (GALV.)  
 USE WITH  
 ANCHOR BOLT, AB2

MARK	QTY	DESCRIPTION	IN	16ths	FAB MARK	MILL MARK	WEIGHT
AB1	8	RD 1 1/2" $\phi$	21	10	GALV.	F1554 GR. 55	87
W1	8	PL 3/8" x 3"	3	0	GALV.	.	8
AB2	8	RD 1 1/2" $\phi$	22	0	GALV.	F1554 GR. 55	88
W2	8	PL 3/8" x 3"	6	0	GALV.	.	15
.	16	1 1/2" $\phi$ HVY HEX NUTS	.	.	GALV.	A563-DH	15

TOTAL WEIGHT IN LBS = 213

SEE SHEET 1 FOR SHOP NOTES.

**SHOP DRAWING REVIEW**

REVIEWED AS REQUIRED BY THE CONSTRUCTION CONTRACT DOCUMENTS AND APPROVED, BUT ONLY FOR CONFORMANCE TO THE DESIGN CONCEPT OF THE WORK, AND SUBJECT TO FURTHER LIMITATIONS AND REQUIREMENTS CONTAINED IN THE CONSTRUCTION CONTRACT DOCUMENTS.

REJECTED  REVISE AND RESUBMIT  FURNISH AS CORRECTED

CORRECTIONS OR COMMENTS MADE ON THE SHOP DRAWINGS DURING THIS REVIEW DO NOT RELIEVE CONTRACTOR FROM COMPLIANCE WITH REQUIREMENTS OF THE DRAWINGS AND SPECIFICATIONS. THIS CHECK IS ONLY FOR REVIEW OF GENERAL CONFORMANCE WITH THE DESIGN CONCEPT OF THE PROJECT AND GENERAL COMPLIANCE WITH THE INFORMATION GIVEN IN THE CONTRACT DOCUMENTS. THE CONTRACTOR IS RESPONSIBLE FOR CORRECTING AND CORRELATING ALL QUANTITIES AND DIMENSIONS; SELECTING FABRICATION PROCESSES AND TECHNIQUES OF CONSTRUCTION; COORDINATING HIS WORK WITH THAT OF ALL OTHER TRADES; AND PERFORMING HIS WORK IN A SAFE AND SATISFACTORY MANNER.

**VHB** Vanesse Hanger Brustlin, Inc.  
 Engineers, Planners, and Scientists  
 Six Bedford Farms, Kilton Rd.  
 Bedford, NH 03110 603 844 0888

Job Number: 51335  
 Reviewed By: Mac/LSL  
 Date: 3/27/06

STATE OF VERMONT  
 AGENCY OF TRANSPORTATION  
 TH 1 (CAMBRIDGEPORT BRIDGE)  
 OVER THE SAXTONS RIVER  
 TOWN OF GRAFTON, VERMONT  
 PROJECT NO. TH2-0104  
 BRIDGE NO. 16G

**COSMEC, INC.** 70 SOUTH STREET  
 WALPOLE, MA 02081

SCALE: NONE DRAWN BY: JEP CHECKED BY: PJM  
 SHEET 3 OF 3 DATE: 02/06 DATE: 02/06

COSMEC BEARING

CUSTOMER: FRANK W. WHITCOMB CONSTRUCTION CORPORATION S.O. NUMBER: 60519 DRAWING NUMBER: 4679 REV: 0

REV.	BY:	DATE	CK'D BY:	DATE
-	-	-	-	-