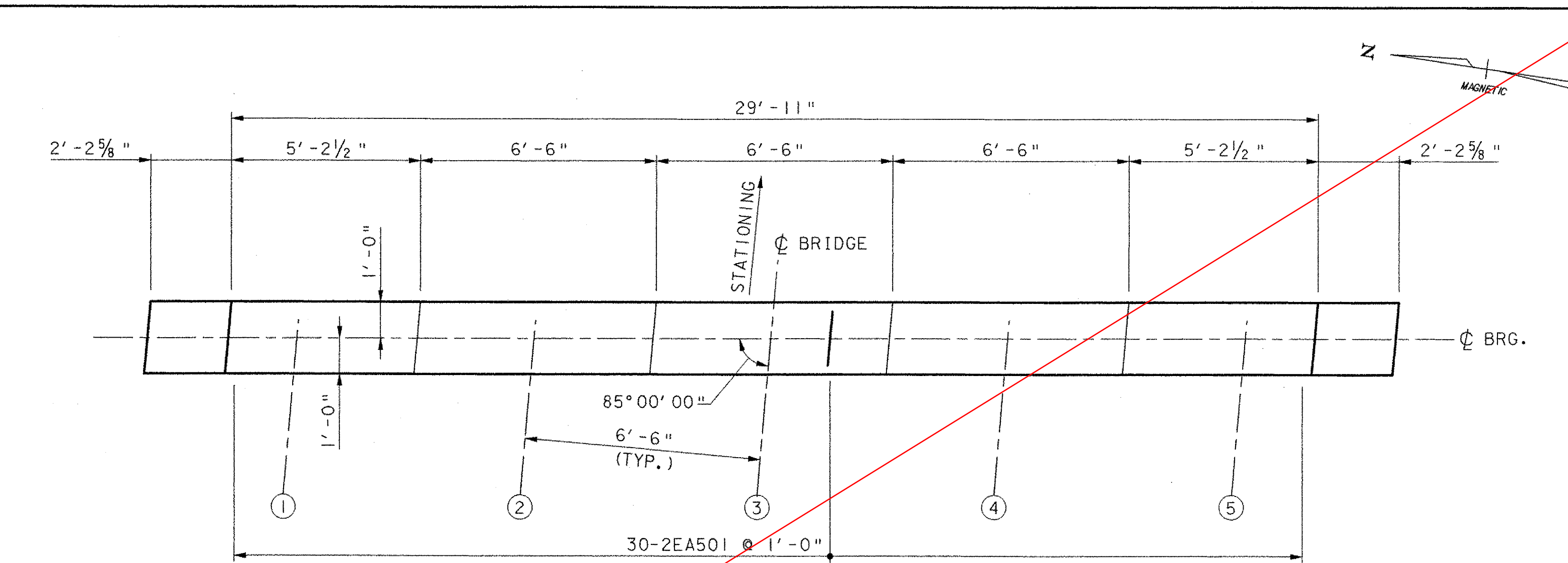
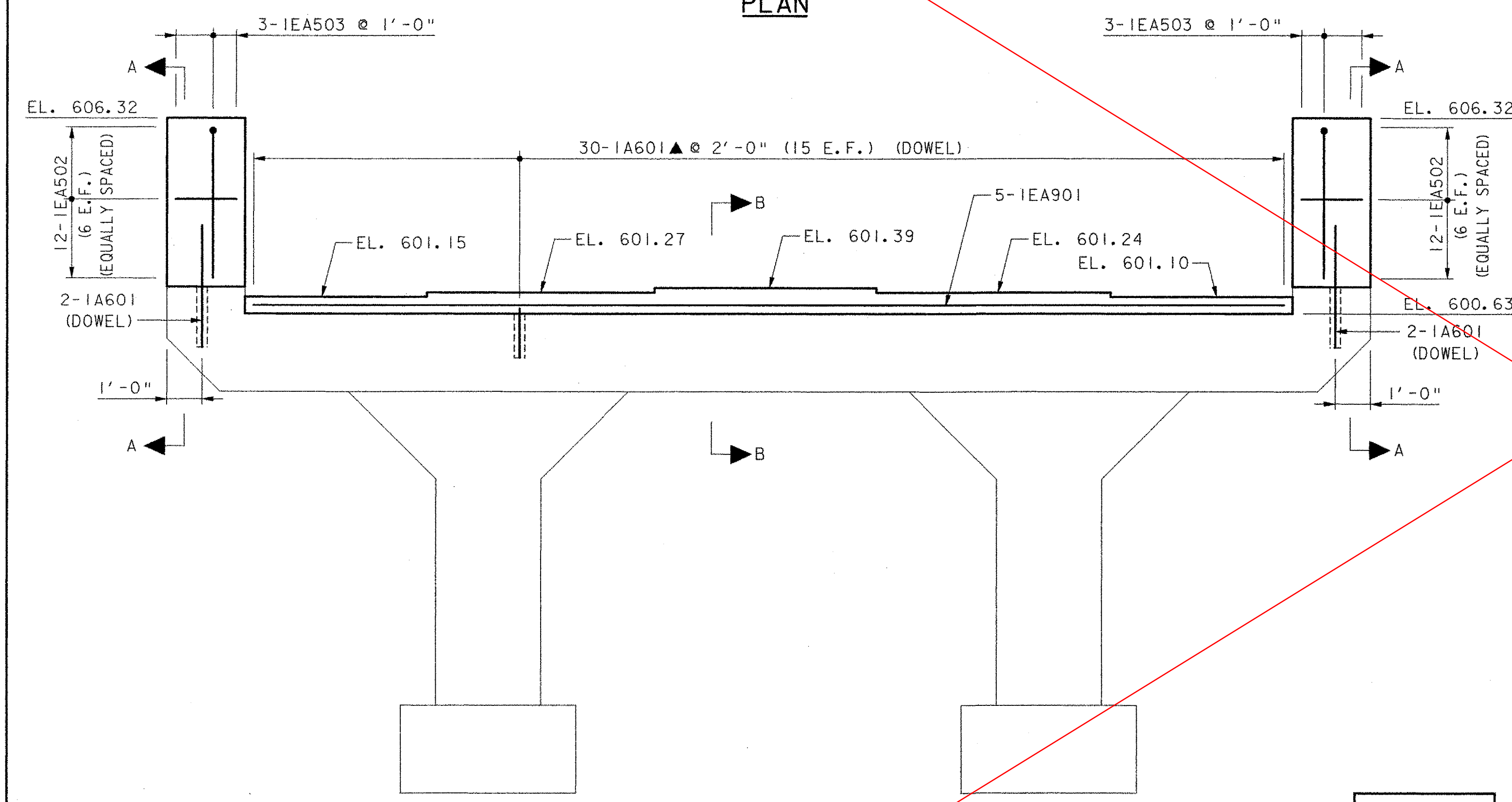


PLAN

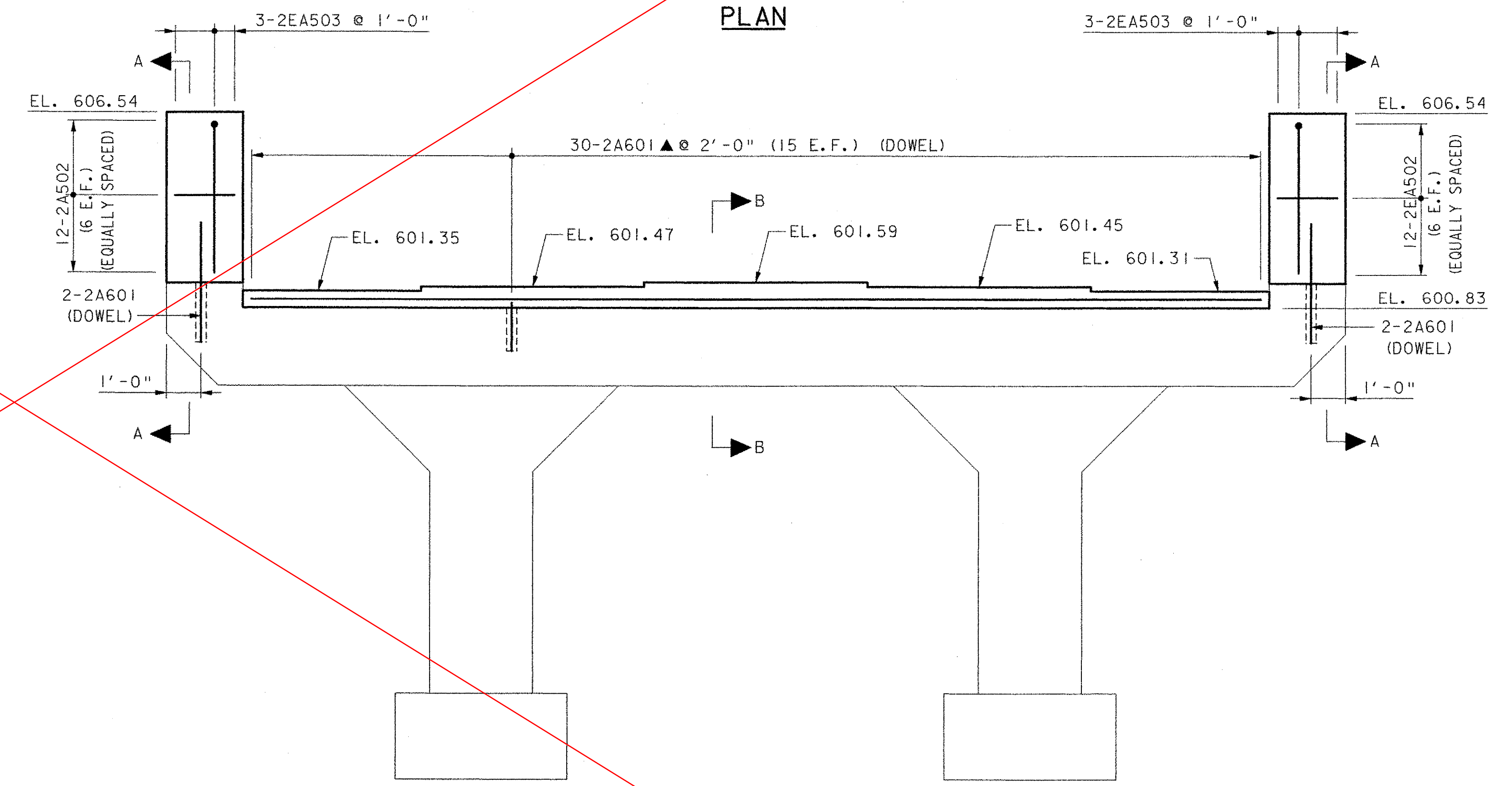


PLAN



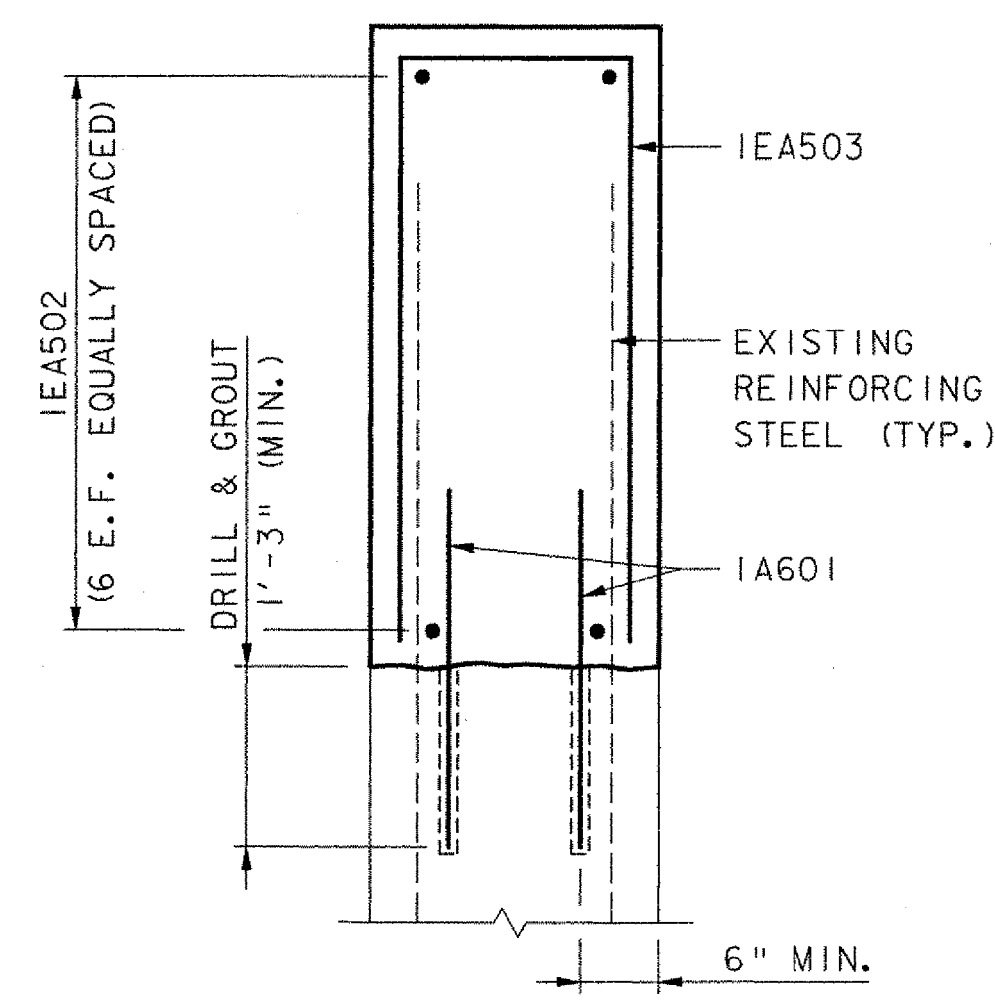
ELEVATION

ABUTMENT NO. 1
SCALE: 3/8" = 1'-0"

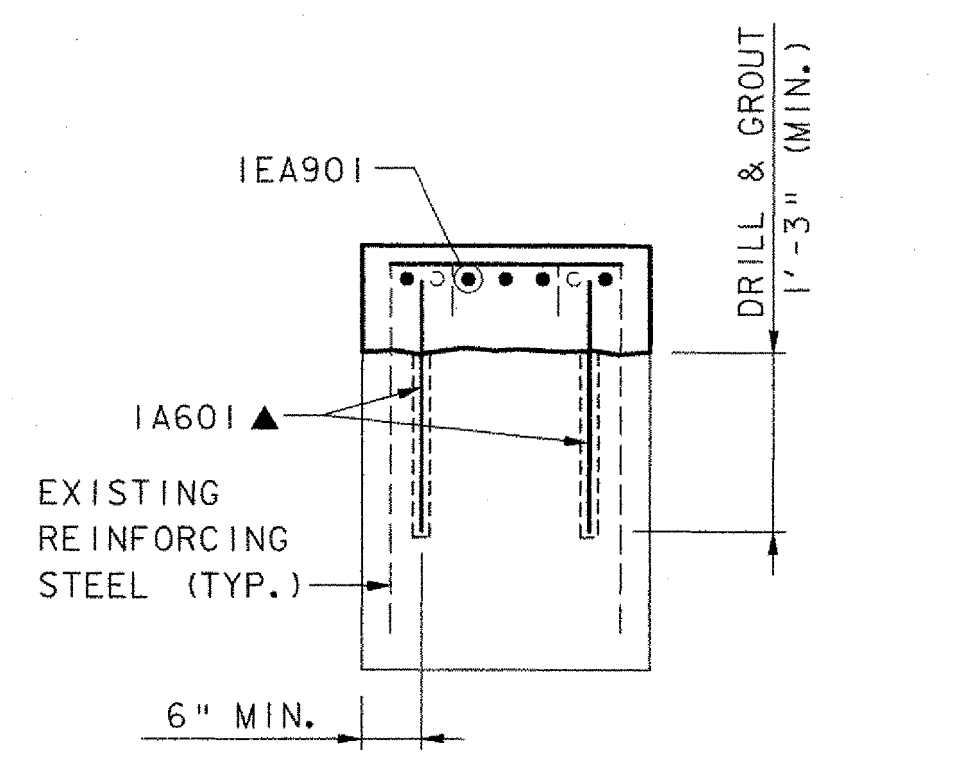


ELEVATION

ABUTMENT NO. 2
SCALE: 3/8" = 1'-0"



SECTION A-A
(ABUTMENT 1 SHOWN, ABUTMENT 2 SIMILAR)
SCALE: 3/4" = 1'-0"



SECTION B-B
(ABUTMENT 1 SHOWN, ABUTMENT 2 SIMILAR)
SCALE: 3/4" = 1'-0"

KEY
E.F. = EACH FACE
▲ = BARS TO BE CUT IN FIELD

SEE SHEET
35R

TOWN OF GRAFTON CAMBRIDGEPORT BRIDGE		
Town of	GRAFTON	Bridge No. 16G
Highway No.	TH 1	Log Sta.
		Surv. Sta.
TH 1 (CAMBRIDGEPORT BRIDGE) OVER THE SAXTONS RIVER		
ABUTMENT DETAILS		
Designed By	J.T. KLEIN	Drawn By B.J. MASSE
Checked By	K.G. KRETSCH	Bridge Design Supervisor
	Date 5/05	M.A. COLGAN Date 5/05
PROJECT	GRAFTON	PROJECT NO. TH2-0104
I.G.C. Info.		File No. 51335AM1
		Sheet 35 of 42

VHB Vanasse Hangen Brustlin, Inc.