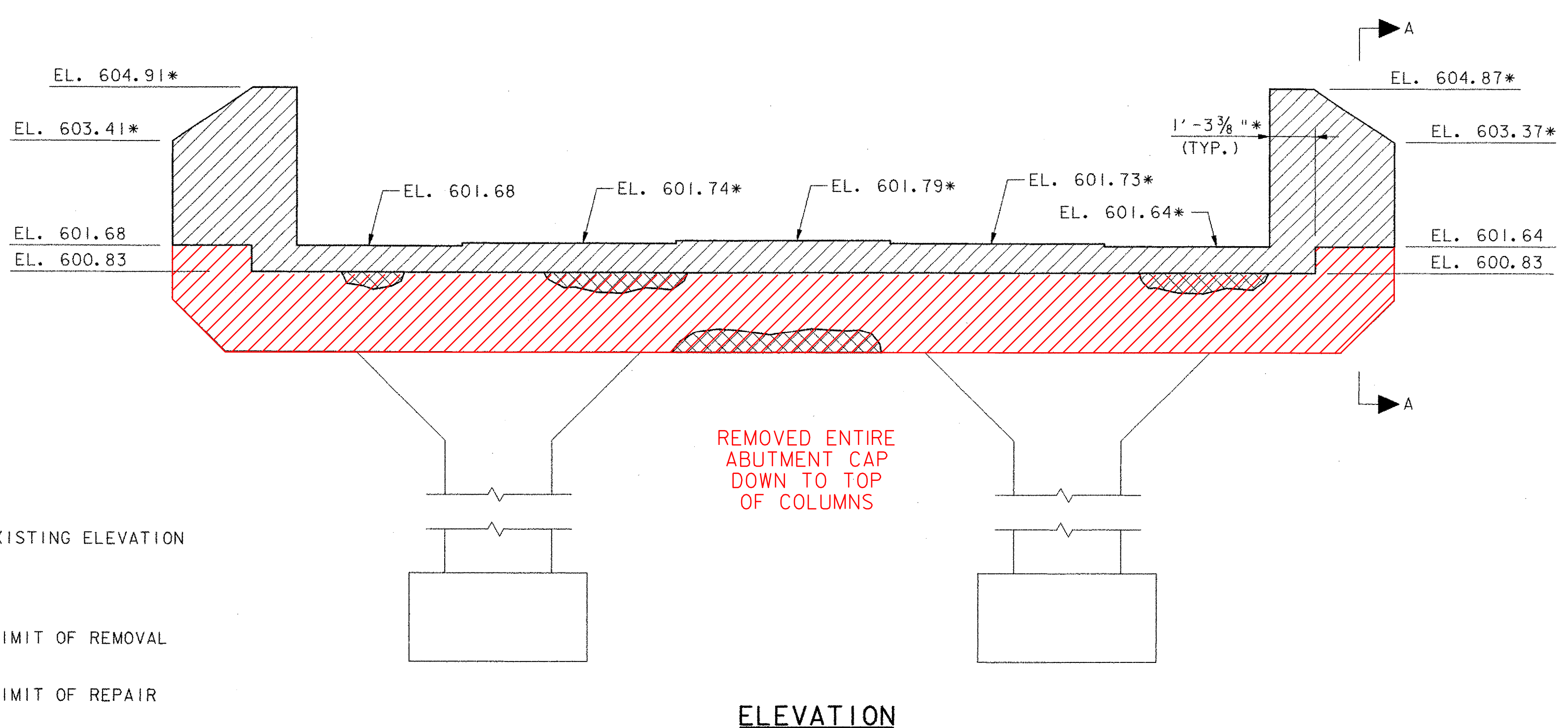
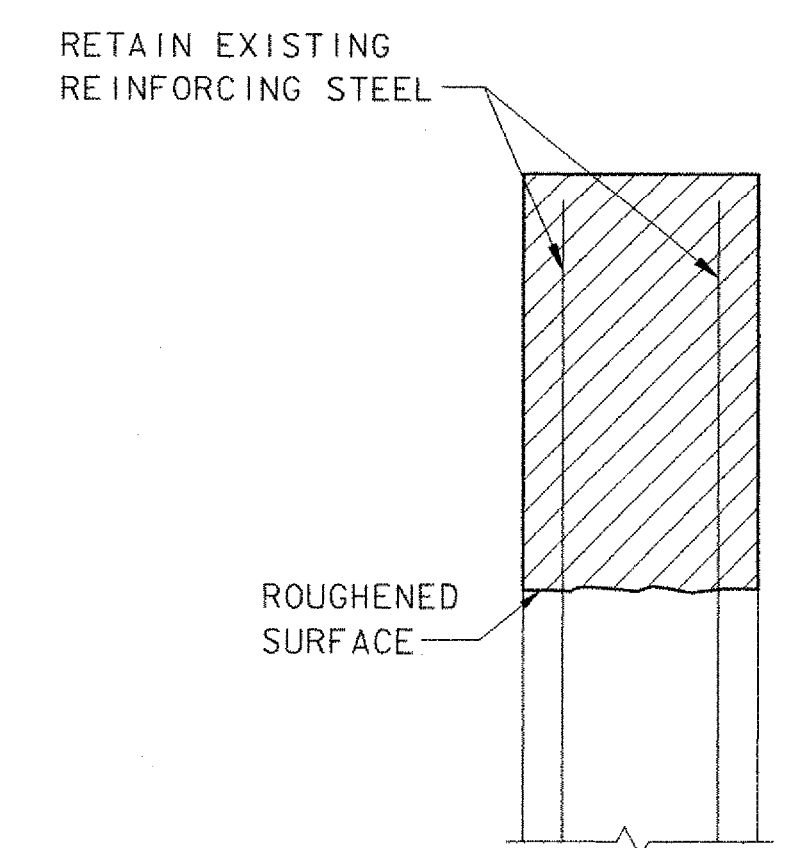


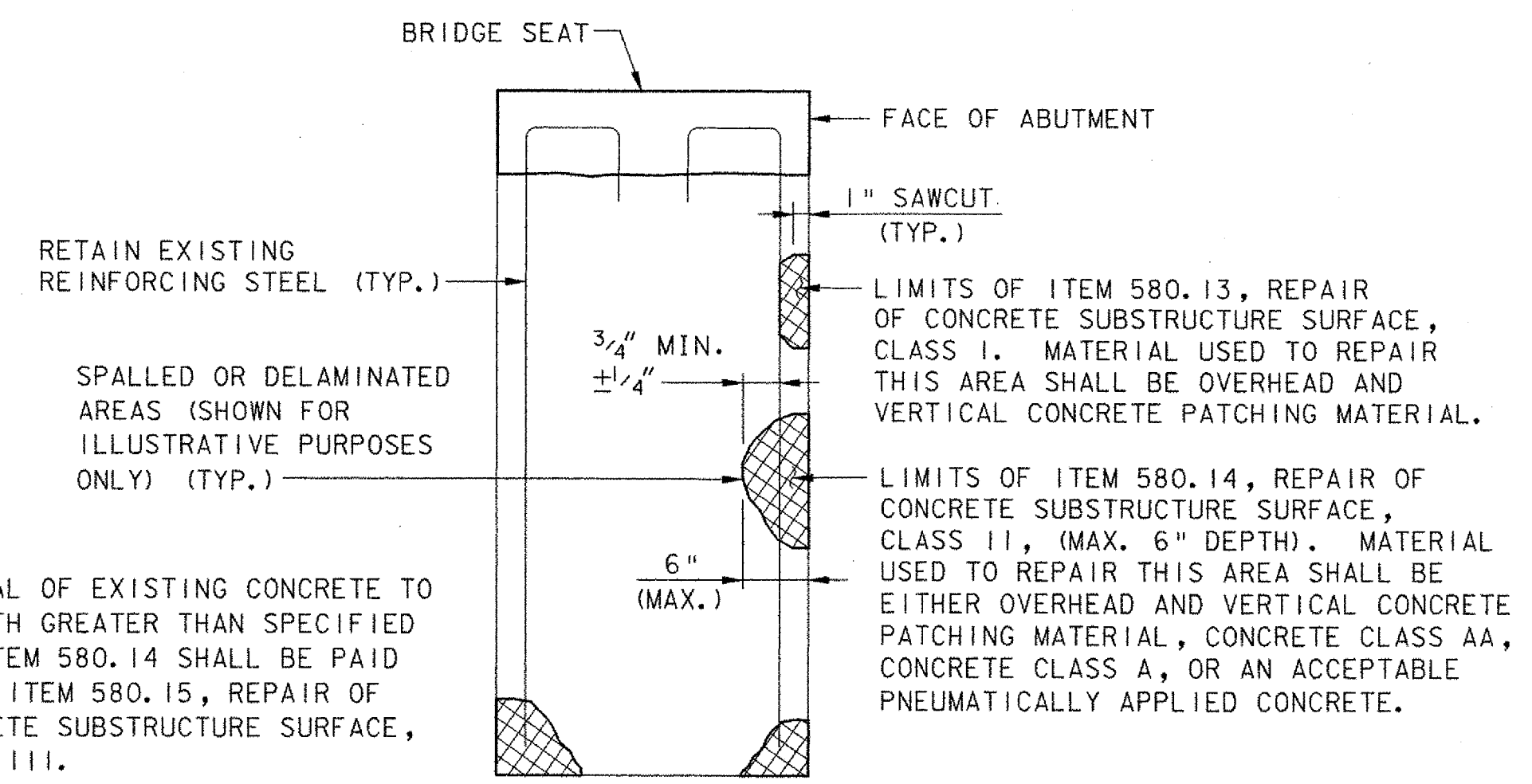
ABUTMENT NO. 1
SCALE: 3/8" = 1'-0"



ABUTMENT NO. 2
SCALE: 3/8" = 1'-0"



SECTION A-A
NOT TO SCALE



REPAIR OF CONCRETE SUBSTRUCTURE SURFACE
CLASS I OR CLASS II
NOT TO SCALE

NOTE:
1. SEE SHEET 26 FOR REMOVAL AND REPAIR NOTES.

TOWN OF GRAFTON CAMBRIDGEPORT BRIDGE		
Town Of	GRAFTON	Bridge No. 16G
Highway No.	TH 1	Log Sta.
		Surv. Sta.
TH 1 (CAMBRIDGEPORT BRIDGE) OVER THE SAXTONS RIVER		
ABUTMENT REMOVAL AND REPAIR		
Designed By	J. T. KLEIN	Drawn By B. J. MASSE
Checked By	Date	Bridge Design Supervisor
M. A. COLGAN	5/05	M. A. COLGAN Date 5/05
PROJECT	GRAFTON	PROJECT NO. TH2-0104
I.G.C. Info.	File No. 51335ARM	Sheet 34 of 42

VHB Vanasse Hangen Brustlin, Inc.