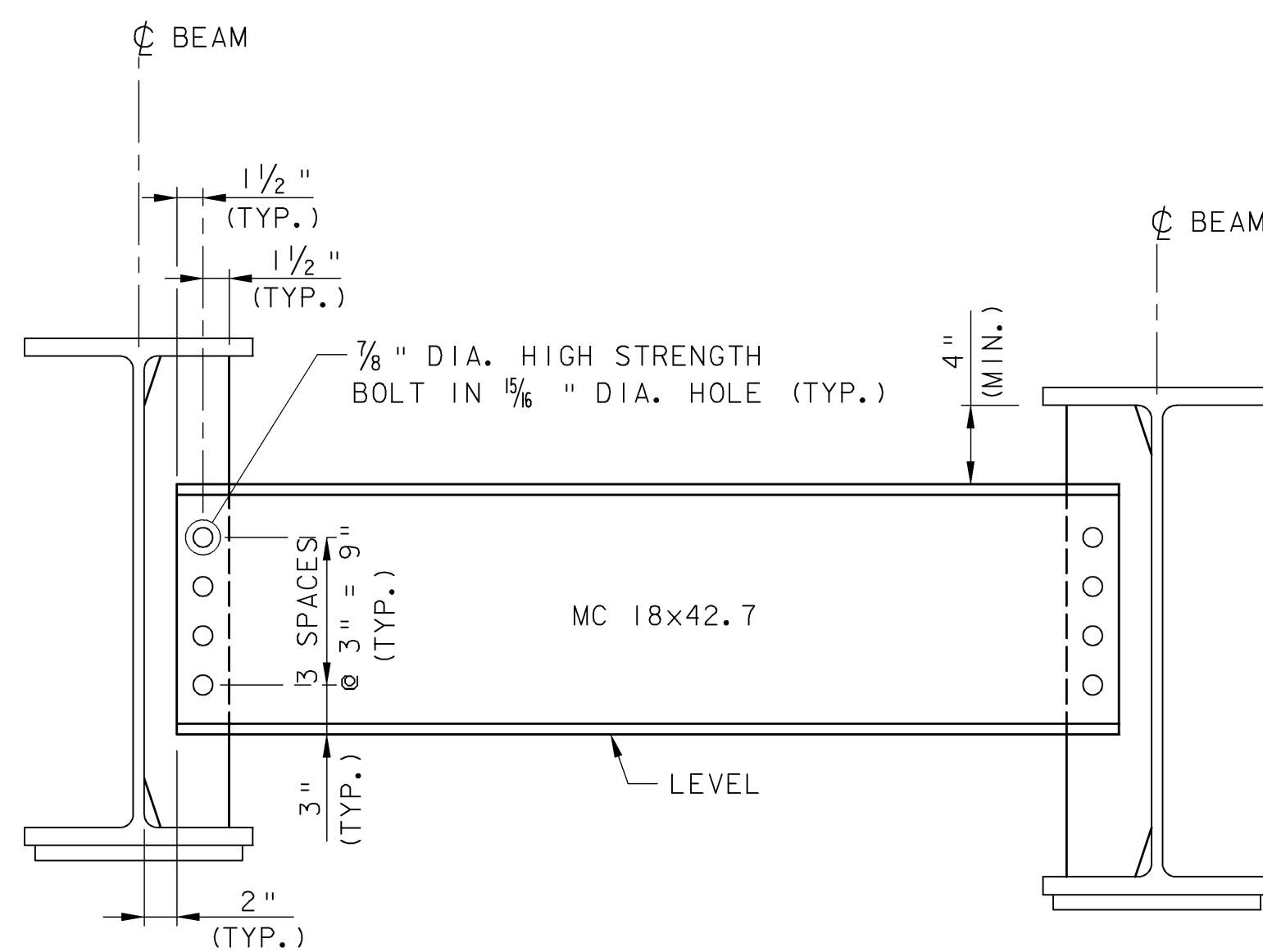
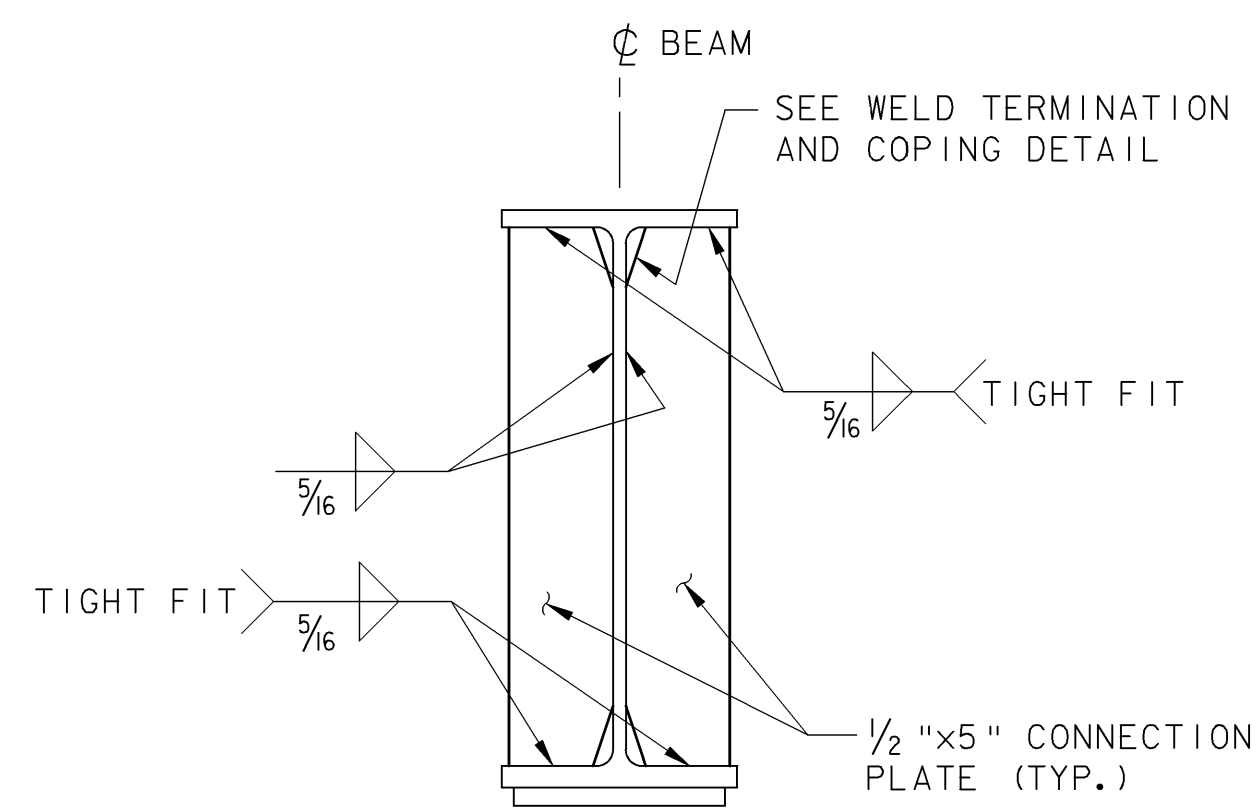


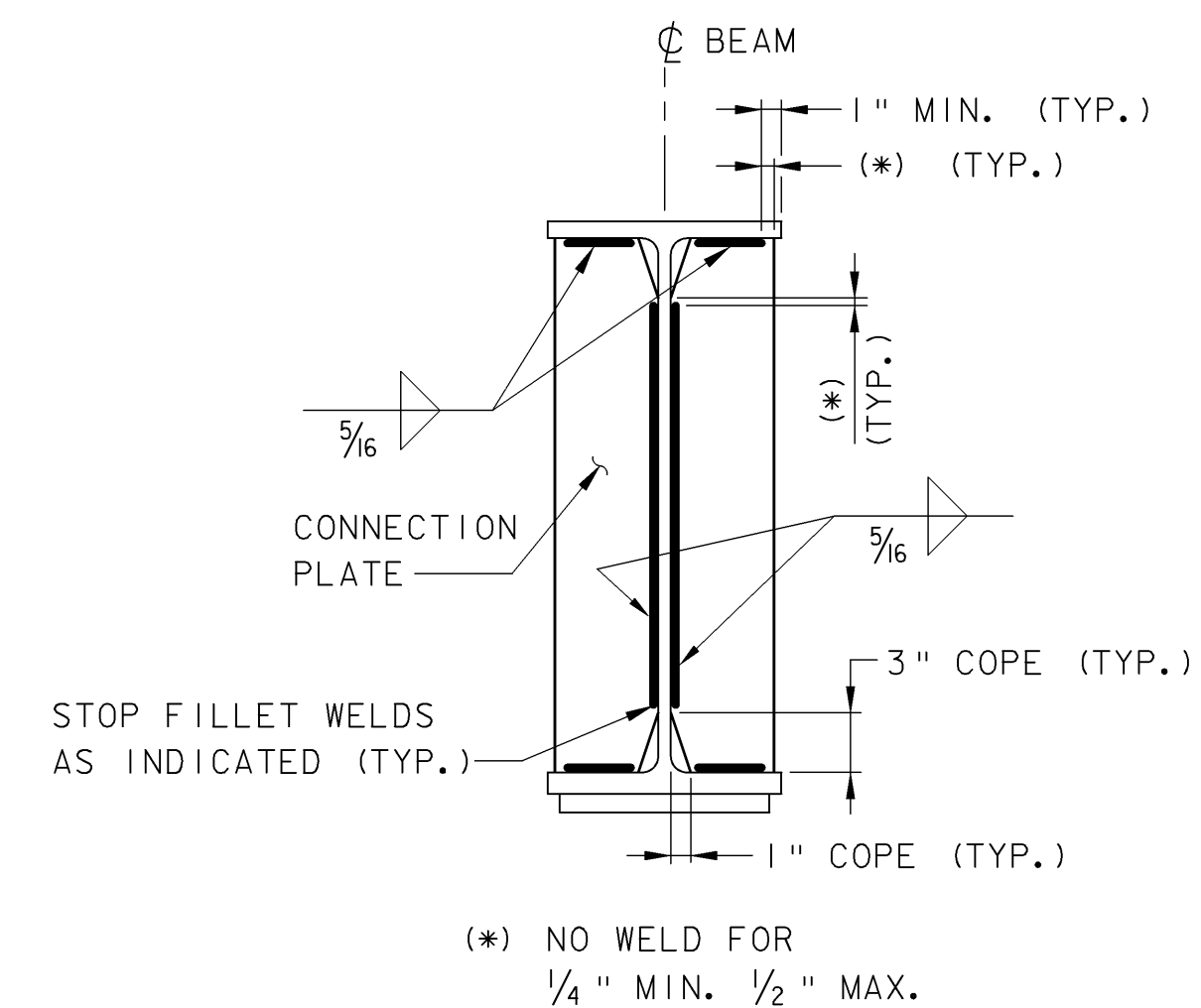
FRAMING PLAN
SCALE: 1/4" = 1'-0"



INTERMEDIATE DIAPHRAGM
NOT TO SCALE



INTERMEDIATE CONNECTION PLATE DETAIL
NOT TO SCALE



WELD TERMINATION AND COPING DETAIL
(COVER PLATE WELD NOT SHOWN)
NOT TO SCALE

THIS SHEET SUPERSEDES CONTRACT PLAN SHEET 30 DATED 6/05. REVISIONS ON THIS SHEET REFLECT CHANGES IN DESIGN AND DETAILS AS PER CHANGE ORDER NO. 2, SUBSTITUTING NEW STEEL BEAMS FOR RECYCLED BEAMS.

- NOTE:**
- THE CENTERLINE TO CENTERLINE OF BEARING SHALL BE FIELD VERIFIED BEFORE SHOP DRAWINGS ARE COMPLETED.

TOWN OF GRAFTON CAMBRIDGEPORT BRIDGE		
Town Of	GRAFTON	Bridge No. 16G
Highway No.	TH 1	Log Sta.
TH 1 (CAMBRIDGEPORT BRIDGE) OVER THE SAXTONS RIVER		Surv. Sta.
FRAMING PLAN		
Designed By	L. S. GARDNER	Drawn By B. J. MASSE
Checked By	Date	Bridge Design Supervisor
J. T. KLEIN	12/05	M. A. COLGAN Date 12/05
PROJECT	GRAFTON	PROJECT NO. TH2-0104
I.G.C. Info.	File No. 51335FRM	Sheet 30R of 42