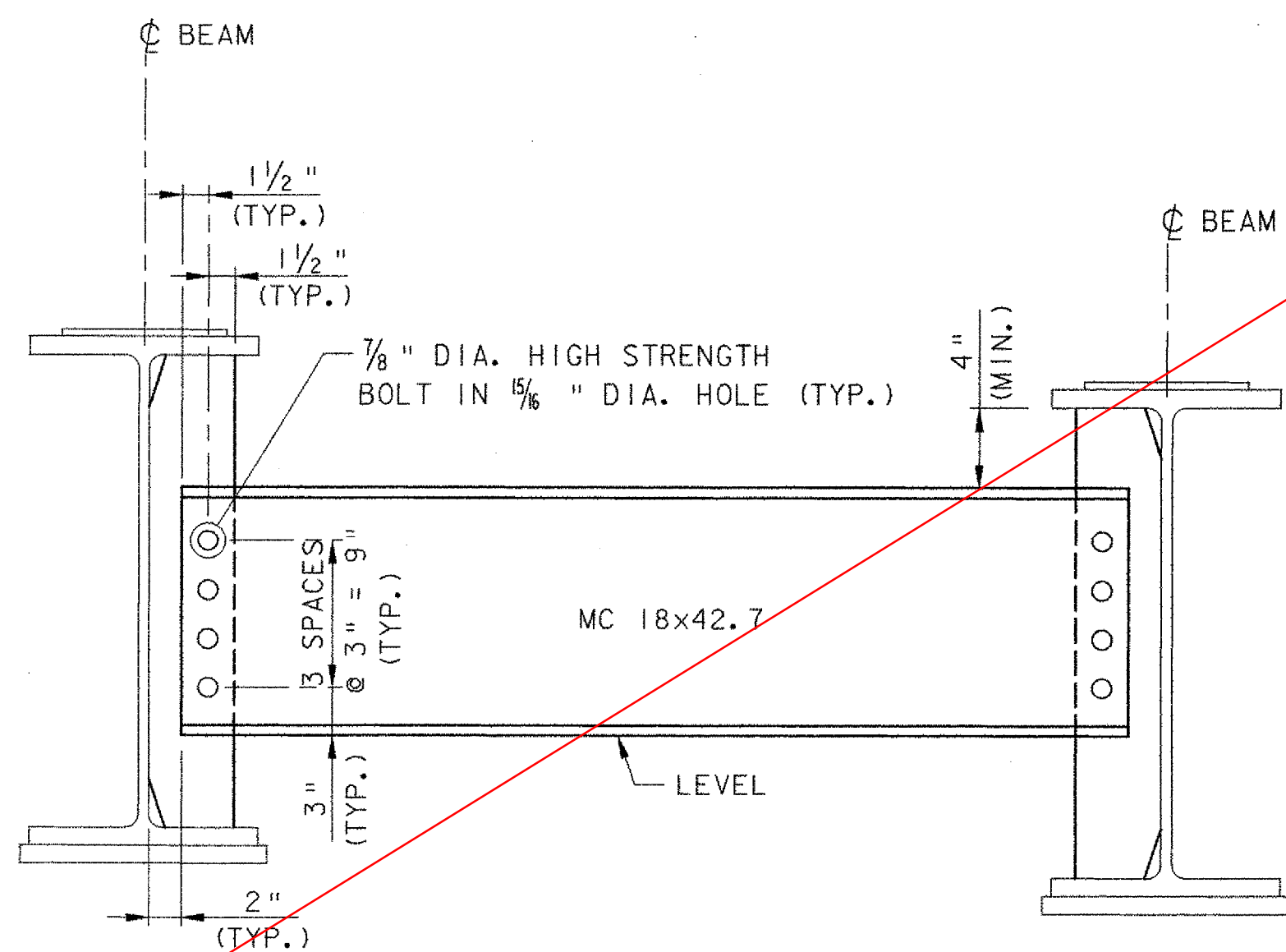
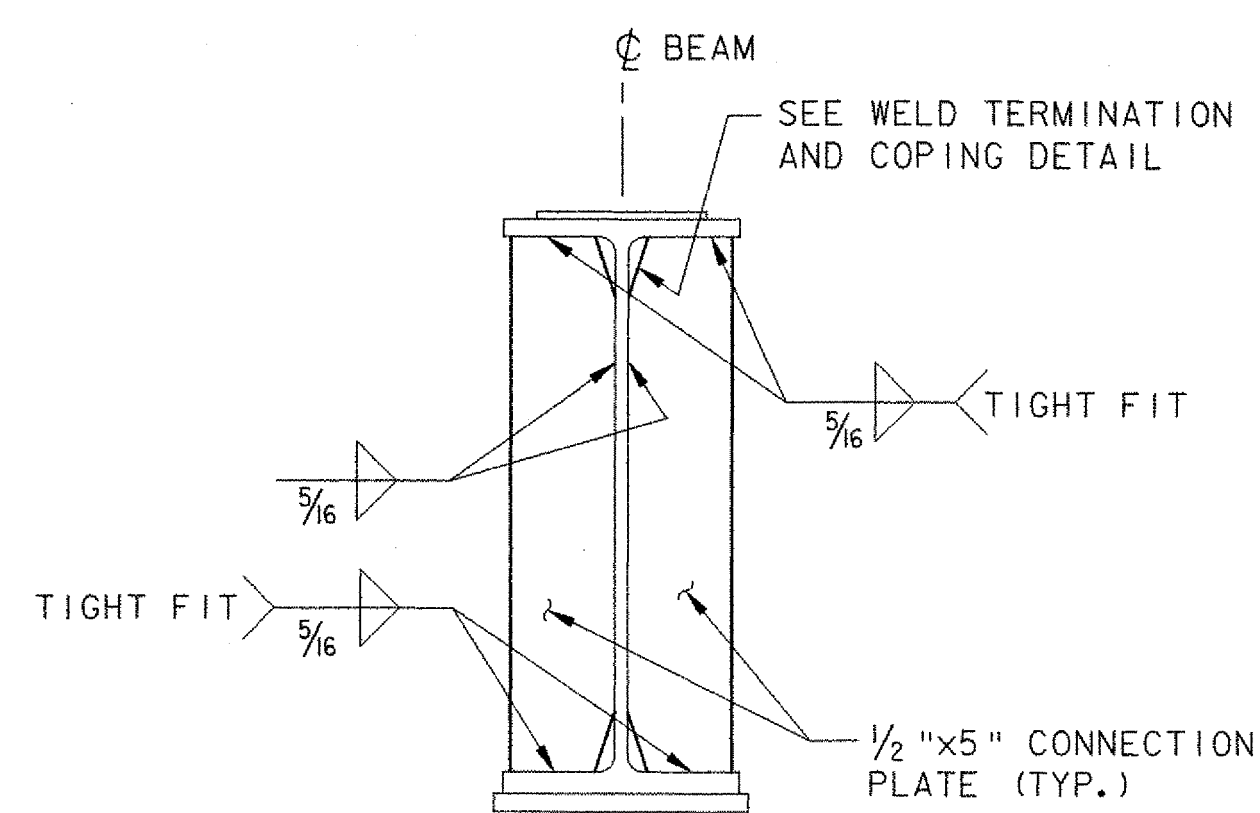


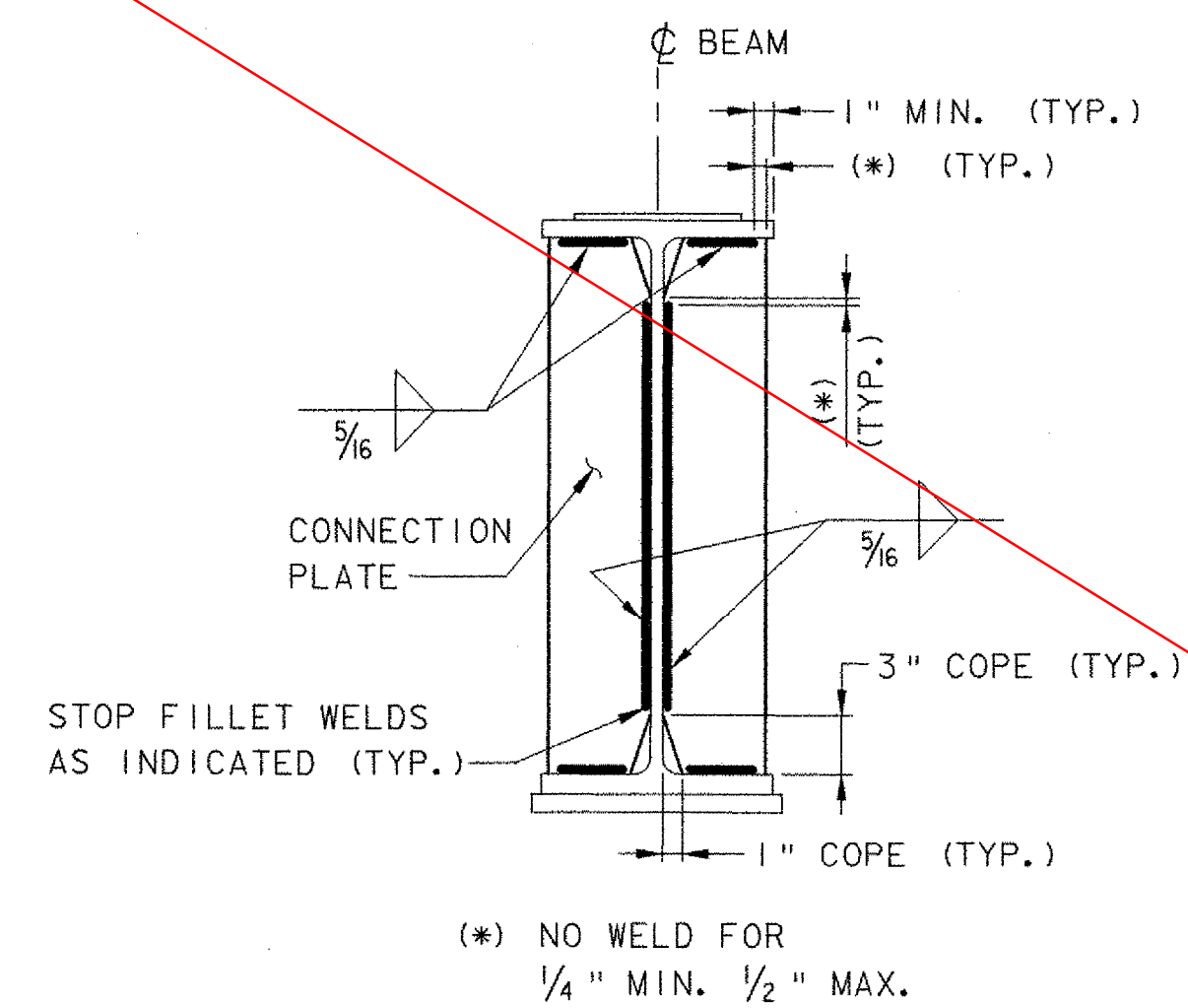
FRAMING PLAN
SCALE: 1/4" = 1'-0"



INTERMEDIATE DIAPHRAGM
NOT TO SCALE



INTERMEDIATE CONNECTION PLATE DETAIL
NOT TO SCALE



WELD TERMINATION AND COPING DETAIL
NOT TO SCALE

SEE SHEET 30R

**TOWN OF GRAFTON
CAMBRIDGEPORT BRIDGE**

Town Of	GRAFTON	Bridge No.	16G
Highway No.	TH 1	Log Sta.	
TH 1 (CAMBRIDGEPORT BRIDGE) OVER THE SAXTONS RIVER		Surv. Sta.	
FRAMING PLAN			
Designed By	J. T. KLEIN	Drawn By	B. J. MASSE
Checked By	Date	Bridge Design Supervisor	
K. R. CRAWFORD	5/05	M. A. COLGAN	Date 5/05
PROJECT	GRAFTON	PROJECT NO.	TH2-0104
I.G.C. Info.	File No. 51335FRM	Sheet 30 of 42	

VHB Vanasse Hangen Brustlin, Inc.