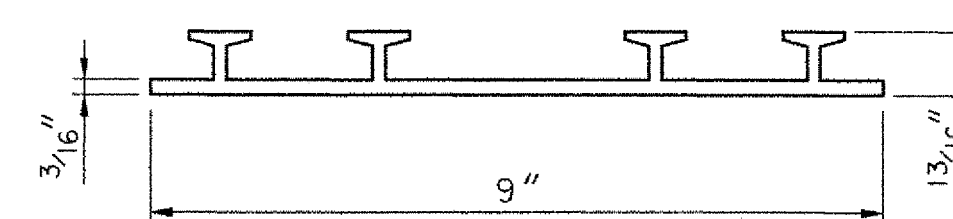
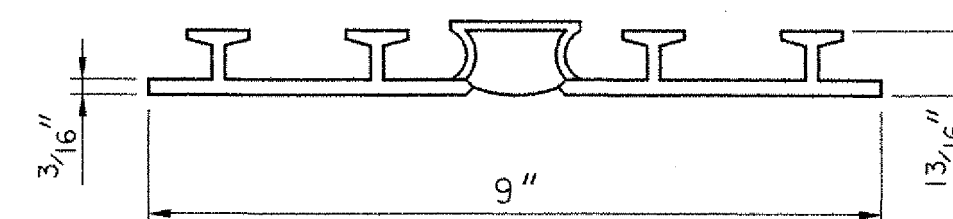


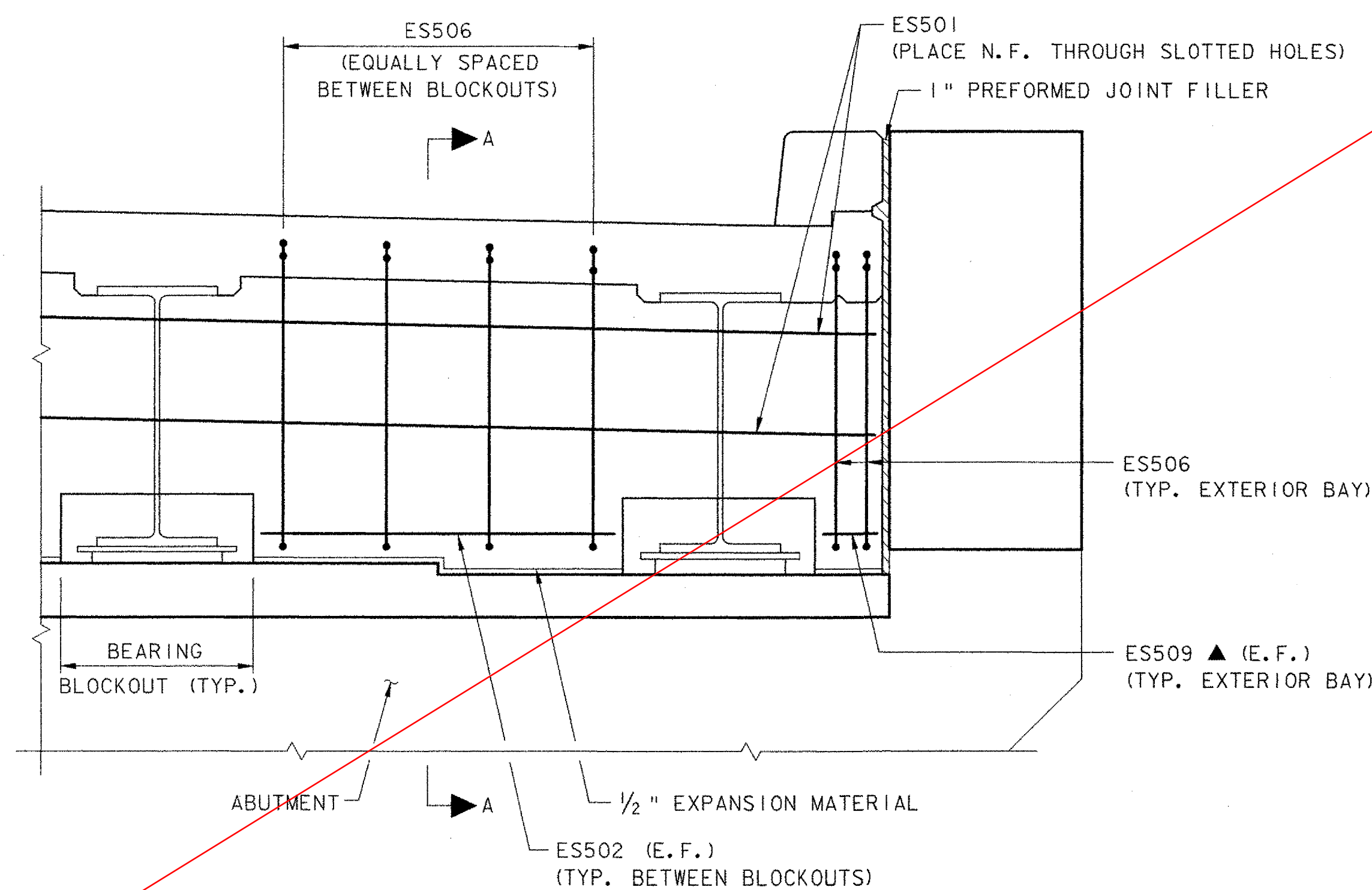
**CURTAIN WALL DETAIL AT ABUTMENTS**  
(PERPENDICULAR TO CENTERLINE BEARING)  
NOT TO SCALE



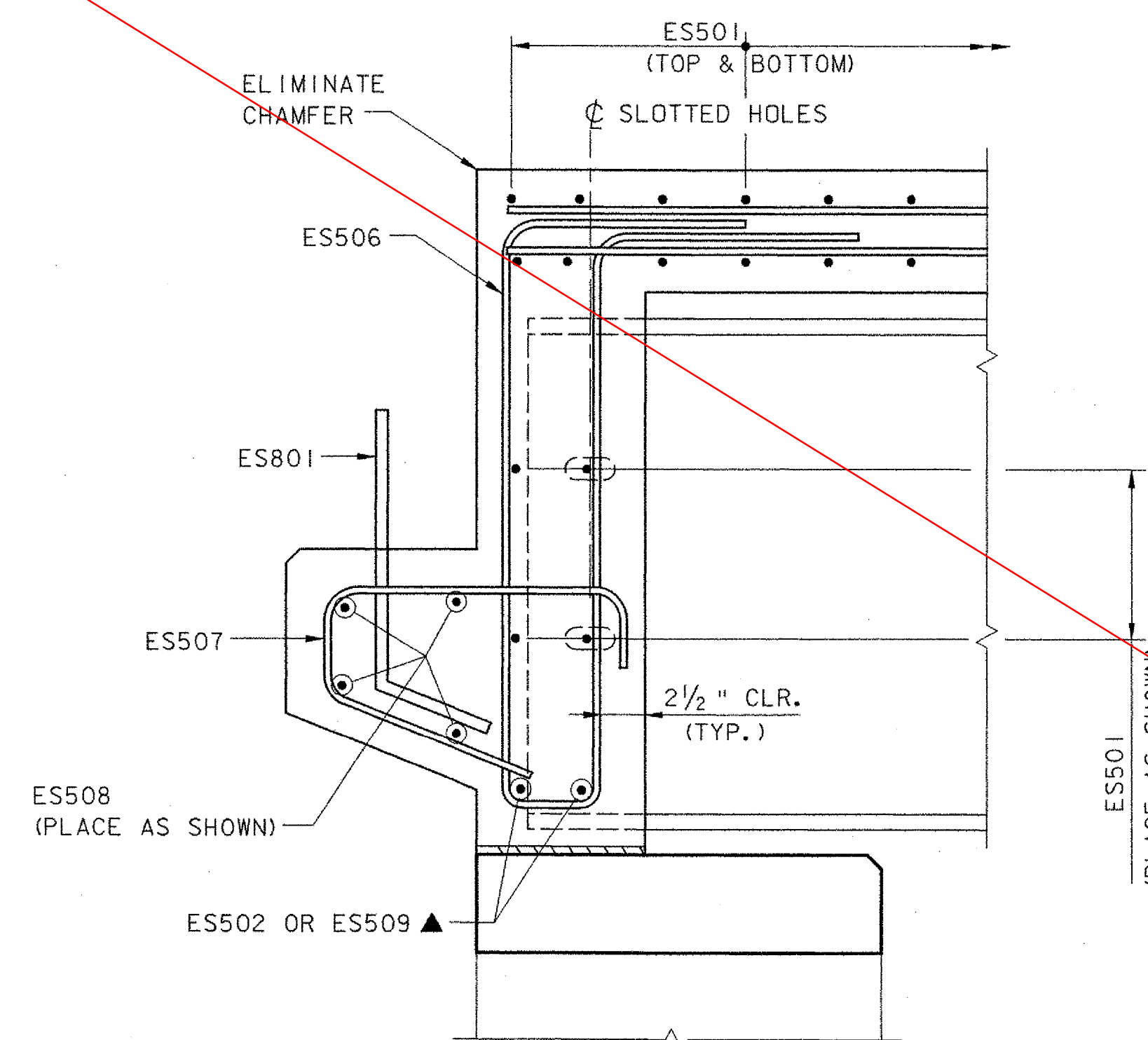
**P.V.C. WATERSTOP**  
NOT TO SCALE



**P.V.C. WATERSTOP FOR EXPANSION JOINTS**  
NOT TO SCALE



**ELEVATION**  
(PERPENDICULAR TO CENTERLINE BEAMS)  
NOT TO SCALE



**SECTION A-A**  
(PERPENDICULAR TO CENTERLINE BEARING)  
NOT TO SCALE

SEE SHEET  
29R

**TOWN OF GRAFTON  
CAMBRIDGEPORT BRIDGE**

Town Of	GRAFTON	Bridge No.	166
Highway No.	TH 1	Log Sta.	
TH 1 (CAMBRIDGEPORT BRIDGE) OVER THE SAXTONS RIVER		Surv. Sta.	
<b>CURTAIN WALL</b>			
Designed By	J. T. KLEIN	Drawn By	B. J. MASSE
Checked By	Date	Bridge Design Supervisor	
K. R. CRAWFORD	5/05	M. A. COLGAN	Date 5/05
PROJECT	GRAFTON	PROJECT NO.	TH2-0104

I.G.C. Info.  
File No. 51335DT1

Sheet 29 of 42

**VHB Vanasse Hangen Brustlin, Inc.**

VHB NO. 51335

plot date: 5/27/2005