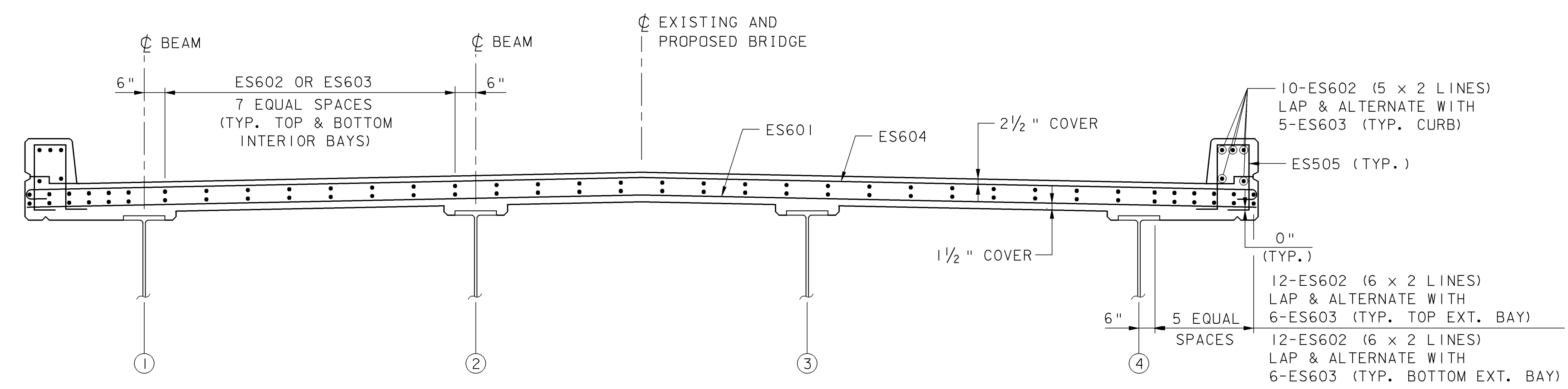


PLAN  
SCALE: 1/4" = 1'-0"

THIS SHEET SUPERSEDES CONTRACT PLAN SHEET 28 DATED 6/05. REVISIONS ON THIS SHEET REFLECT CHANGES IN DESIGN AND DETAILS AS PER CHANGE ORDER NO. 2. SUBSTITUTING NEW STEEL BEAMS FOR RECYCLED BEAMS.



SECTION A-A  
SCALE: 1/2" = 1'-0"

KEY  
N.F. = NEAR FACE  
F.F. = FAR FACE  
E.F. = EACH FACE  
▲ = CUT TO FIT IN FIELD

### TOWN OF GRAFTON CAMBRIDGEPORT BRIDGE

Town Of	GRAFTON	Bridge No.	16G
Highway No.	TH 1	Log Sta.	
TH 1 (CAMBRIDGEPORT BRIDGE) OVER THE SAXTONS RIVER		Surv. Sta.	
<b>DECK REINFORCEMENT</b>			
Designed By	L. S. GARDNER	Drawn By	B. J. MASSE
Checked By	J. T. KLEIN	Date	12/05
		Bridge Design Supervisor	M. A. COLGAN Date 12/05
PROJECT	GRAFTON	PROJECT NO.	TH2-0104

**VHB Vanasse Hangen Brustlin, Inc.**