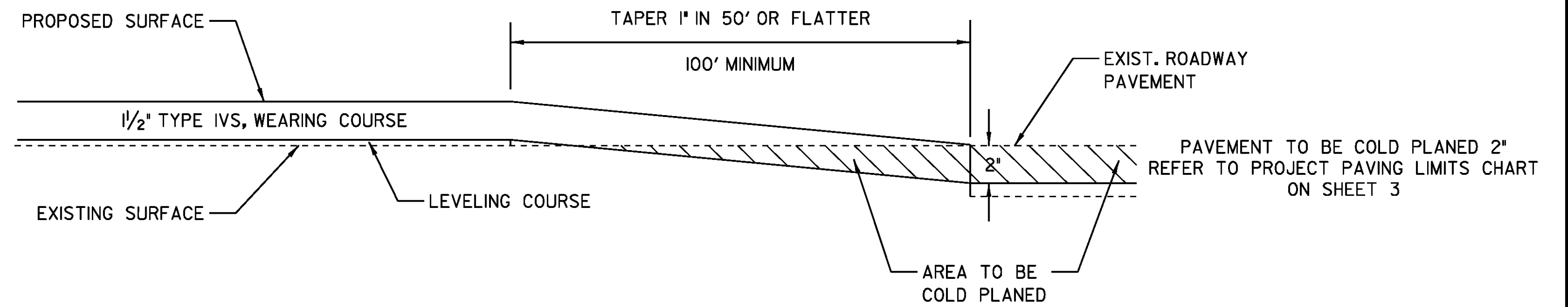


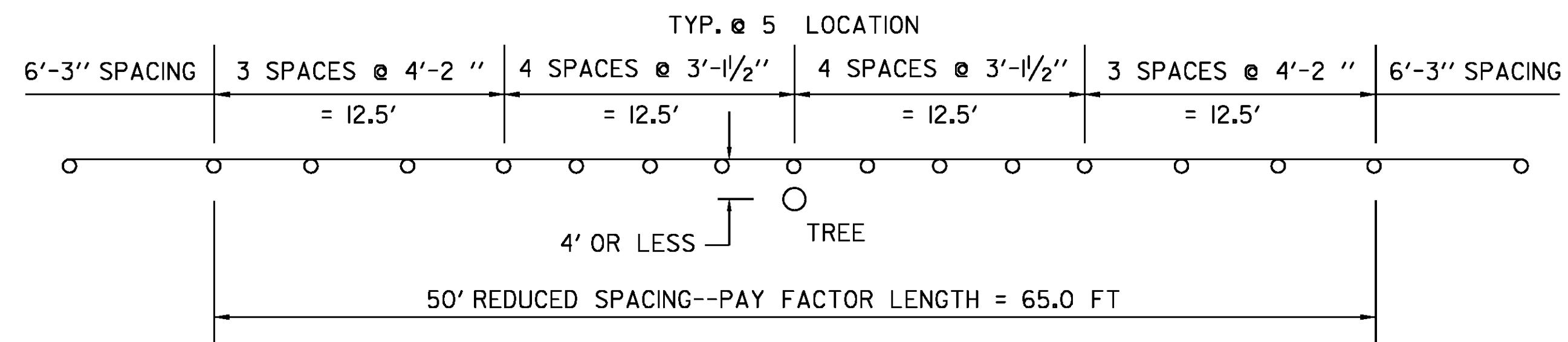
OVERLAY APPROACH AREA DETAIL - MAINLINE

FULL ROADWAY WIDTH
TOWNSHEND MM 7.190



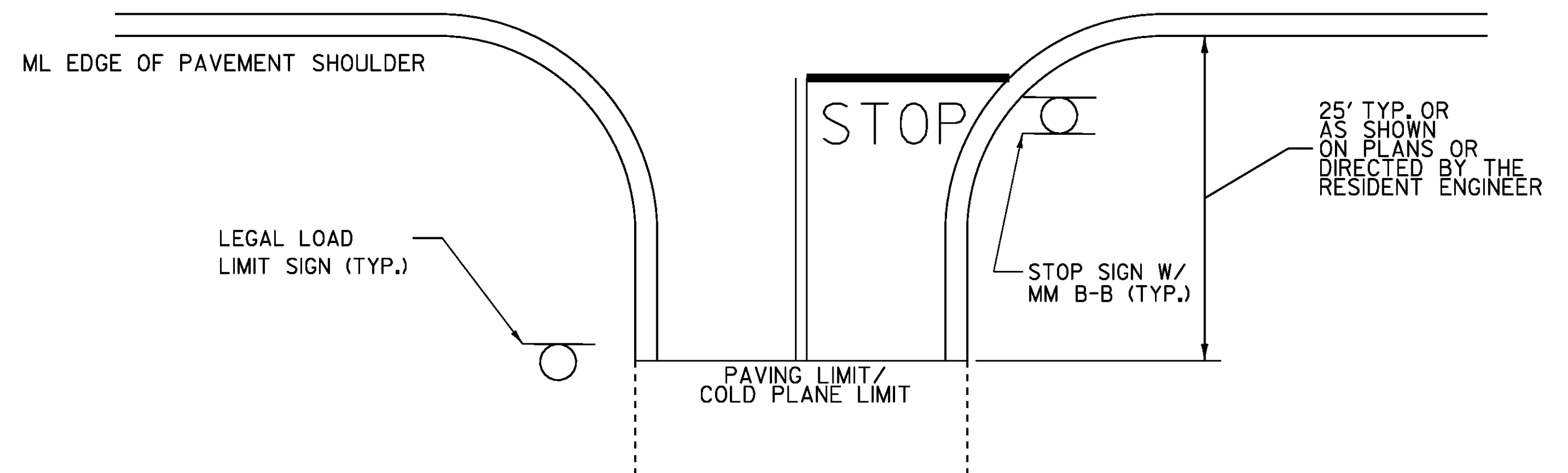
**TRANSITION FROM OVERLAY TO COLD PLANE
APPROACH AREA DETAIL - MAINLINE**

FULL ROADWAY WIDTH
NEWFANE MM 3.400
TOWNSHEND MM 1.000
MM 2.356
MM 6.300
MM 6.720



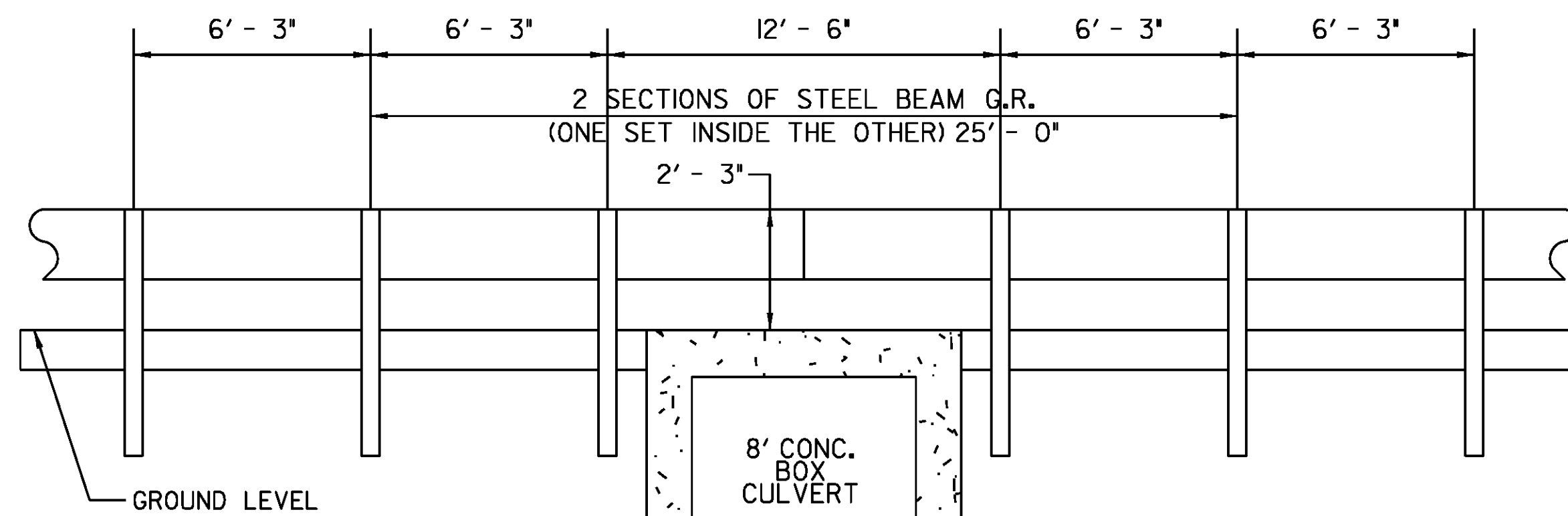
GUARDRAIL DETAIL

OBJECTS WITHIN 4.0 FT OF GUARDRAIL
LOCATION
VT ROUTE 30
NEWFANE 4.532 RT



TOWN HIGHWAY TYPICAL

- NOTES:
1. SEE STD E-121 FOR THE PLACEMENT OF STOP AND LEGAL LOAD LIMIT SIGNS.
2. SEE STD E-193 FOR THE PLACEMENT OF CENTERLINE, EDGELINE, STOP BARS, AND STOP LETTERS.



DETAIL OF STEEL BEAM GUARD RAIL AT SMALL CULVERTS

NEWFANE: BRIDGE 14 MM 5.382 TO MM 5.384

PROJECT TYPICAL SHEET 3

PROJECT NAME: NEWFANE-TOWNSHEND

PROJECT NUMBER: STP 2401 (I)

FILE NAME: 01b036.dgn

PROJECT LEADER: CRB

DESIGNED BY: JBZ

IPARM FILE NAME: p01b036_05.1

PLOT DATE: 04-FEB-2010

DRAWN BY: JBZ

CHECKED BY: BDB

SHEET 5 OF 32

NOT TO SCALE