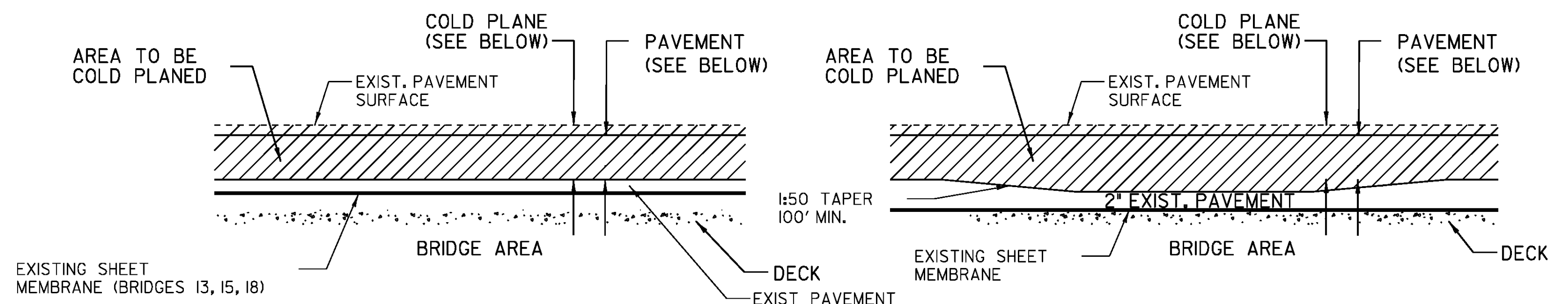


**APPROACH AREA DETAIL - BUTT AGAINST TOWN HIGHWAYS**

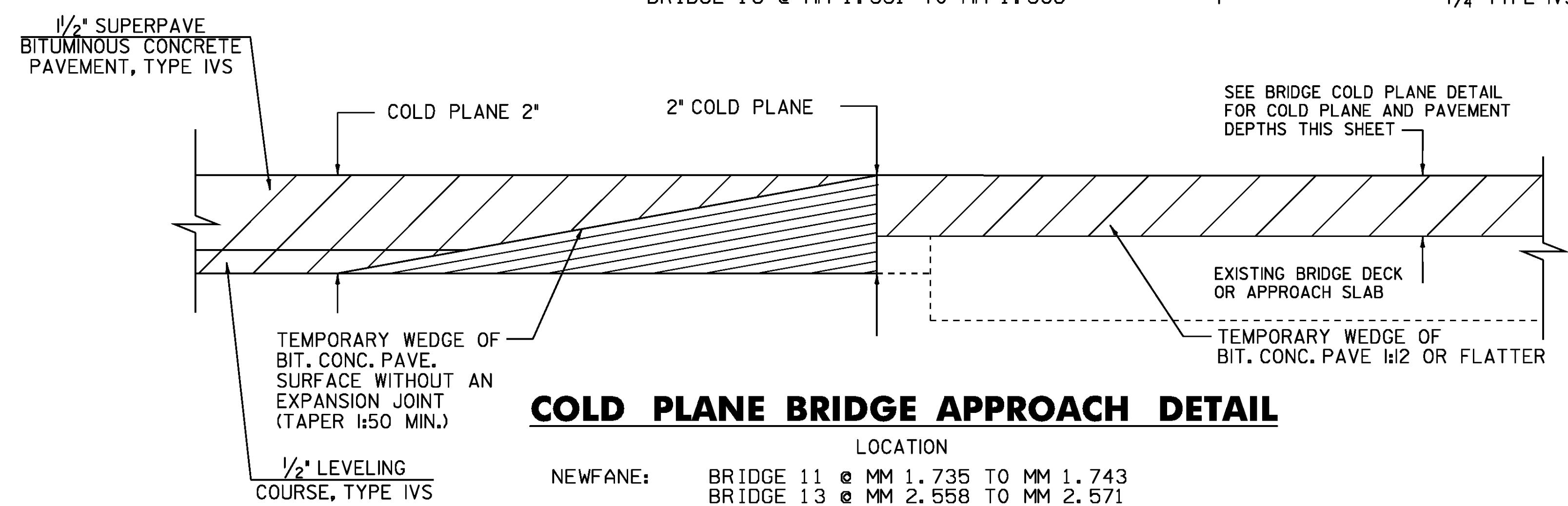
- LOCATION
1. USE FOR TOWN HIGHWAYS THAT ARE PAVED IN COLD PLANE AREAS
  2. ALL TOWN HIGHWAYS TO BE PAVED 25 FEET UNLESS OTHERWISE NOTED ON PLANS OR DIRECTED BY RESIDENT ENGINEER

TOWN/STATE HIGHWAY NAME	LOCATION MM	TOWN/STATE HIGHWAY NAME	LOCATION MM
<b>NEWFANE</b>		<b>TOWNSHEND</b>	
TH 45 BROWNS RD	1.600 LT	TH 70 SAW DUST ALLEY	1.289 RT
TH 18 BACK ST	2.226 RT	TH 25 EAST HILL RD	1.404 RT
TH 18 BACK ST	2.525 RT	TH 35 DEPOT RD	1.414 LT
TH 21 BRUCE BROOK RD	2.593 LT	TH 1 GRAFTON RD	2.055 RT
TH 76 LOOP RD	2.716 LT	TH 1 GRAFTON RD	2.070 RT
TH 56 JAIL ST	2.878 RT	TH 53 COMMON RD	2.117 RT
TH 1 WEST ST	2.930 LT	TH 54 OAKWOOD CEMETARY	2.195 LT
TH 56 JAIL ST	2.935 RT	TH 51 FAUREAU'S CORNER	6.302 LT
TH 16 CEMETERY HILL RD	2.957 RT	TH 49 ISLAND RD	6.458 LT
TH 1 COURT ST	2.978 LT	TH 7 BACK WINDHAM RD	6.535 RT
TH 14 CROSS ST (ONE WAY)	3.091 LT	TH 3 WINDHAM HILL RD	6.598 RT



**BRIDGE COLD PLANE DETAIL**      **BRIDGE #12 COLD PLANE DETAIL**

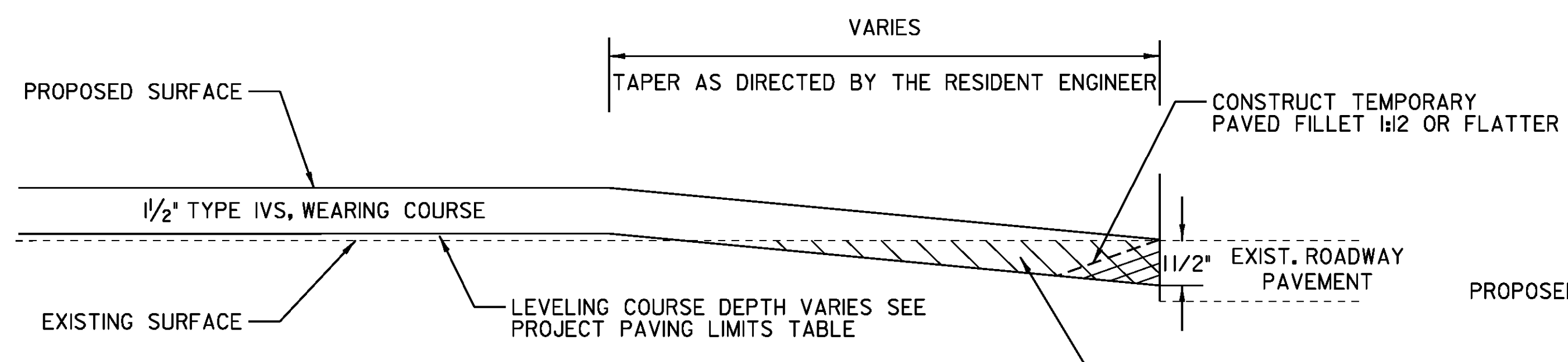
	LOCATION	COLD PLANE DEPTH	OVERLAY
NEWFANE:	BRIDGE 11 @ MM 1.735 TO MM 1.743	1/4"	1/4" TYPE IVS
	BRIDGE 12 @ MM 2.189 TO MM 2.198	4"	1/4" TYPE IVS
	BRIDGE 13 @ MM 2.558 TO MM 2.571	1"	1/4" TYPE IVS
	BRIDGE 14 @ MM 5.382 TO MM 5.384	1"	1/4" TYPE IVS
TOWNSHEND:	BRIDGE 15 @ MM 0.155 TO MM 0.241	1/4"	1/4" TYPE IVS
	BRIDGE 18 @ MM 1.381 TO MM 1.390	1"	1/4" TYPE IVS



**COLD PLANE BRIDGE APPROACH DETAIL**

	LOCATION
NEWFANE:	BRIDGE 11 @ MM 1.735 TO MM 1.743
	BRIDGE 13 @ MM 2.558 TO MM 2.571
TOWNSHEND:	BRIDGE 18 @ MM 1.381 TO MM 1.390

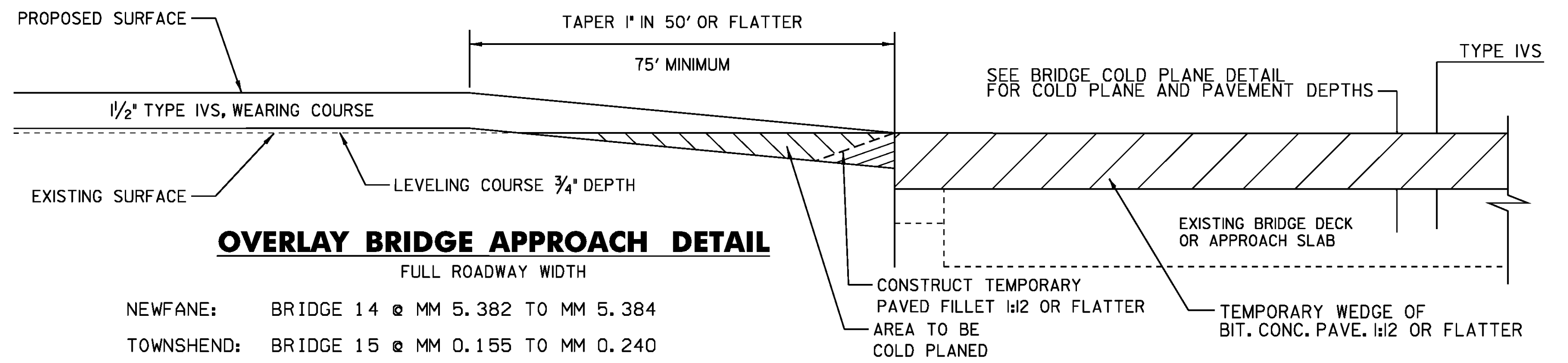
ASPHALTIC PLUG JOINTS ONLY REQUIRED ON BRIDGE 13. DAMAGE TO THE MEMBRANE DECK OR APPROACH SLABS WILL BE REPAIRED AT THE CONTRACTOR'S EXPENSE.



**APPROACH AREA DETAIL - TOWN HIGHWAYS**

- FULL ROADWAY WIDTH
1. USE FOR PAVED TOWN HIGHWAYS IN LEVEL AND OVERLAY AREAS
  2. ALL TOWN HIGHWAYS TO BE PAVED 25 FEET UNLESS OTHERWISE NOTED ON PLANS OR DIRECTED BY RESIDENT ENGINEER

TOWN/STATE HIGHWAY NAME	LOCATION MM
<b>NEWFANE</b>	
TH 4 RADWAY HILL RD	3.930 RT
TH 15 UPPER RIVER RD	4.440 RT
<b>TOWNSHEND</b>	
TH 4 STATE FOREST	0.057 LT
TH 32 ELLEN WARE RD	0.451 RT
TH 55 RIVERDALE RD	0.791 RT
TH 32 PLUMB RD	0.982 RT
TH 48 STEPHENSON CURVE	3.327 LT
TH 48 STEPHENSON CURVE	3.415 LT
TH 22 WINSLOW DR	5.891 RT
TH 23 STRATTON DR	6.018 RT
TH 60 WARDEN RD	6.750 LT



**OVERLAY BRIDGE APPROACH DETAIL**

NEWFANE:	BRIDGE 14 @ MM 5.382 TO MM 5.384
TOWNSHEND:	BRIDGE 15 @ MM 0.155 TO MM 0.240

EXISTING STEEL VERTICAL PLATE JOINTS ON BRIDGE 15 ARE TO REMAIN. DAMAGE TO THE MEMBRANE DECK OR APPROACH SLABS WILL BE REPAIRED AT THE CONTRACTOR'S EXPENSE.

**PROJECT TYPICAL SHEET 2**

PROJECT NAME:	NEWFANE-TOWNSHEND
PROJECT NUMBER:	STP 240I (I)
FILE NAME:	p01b036.dgn
PROJECT LEADER:	CRB
DESIGNED BY:	JBZ
IPARM FILE NAME:	p01b036_04.1
PLOT DATE:	04-FEB-2010
DRAWN BY:	JBZ
CHECKED BY:	BDB
SHEET	4 OF 32

NOT TO SCALE