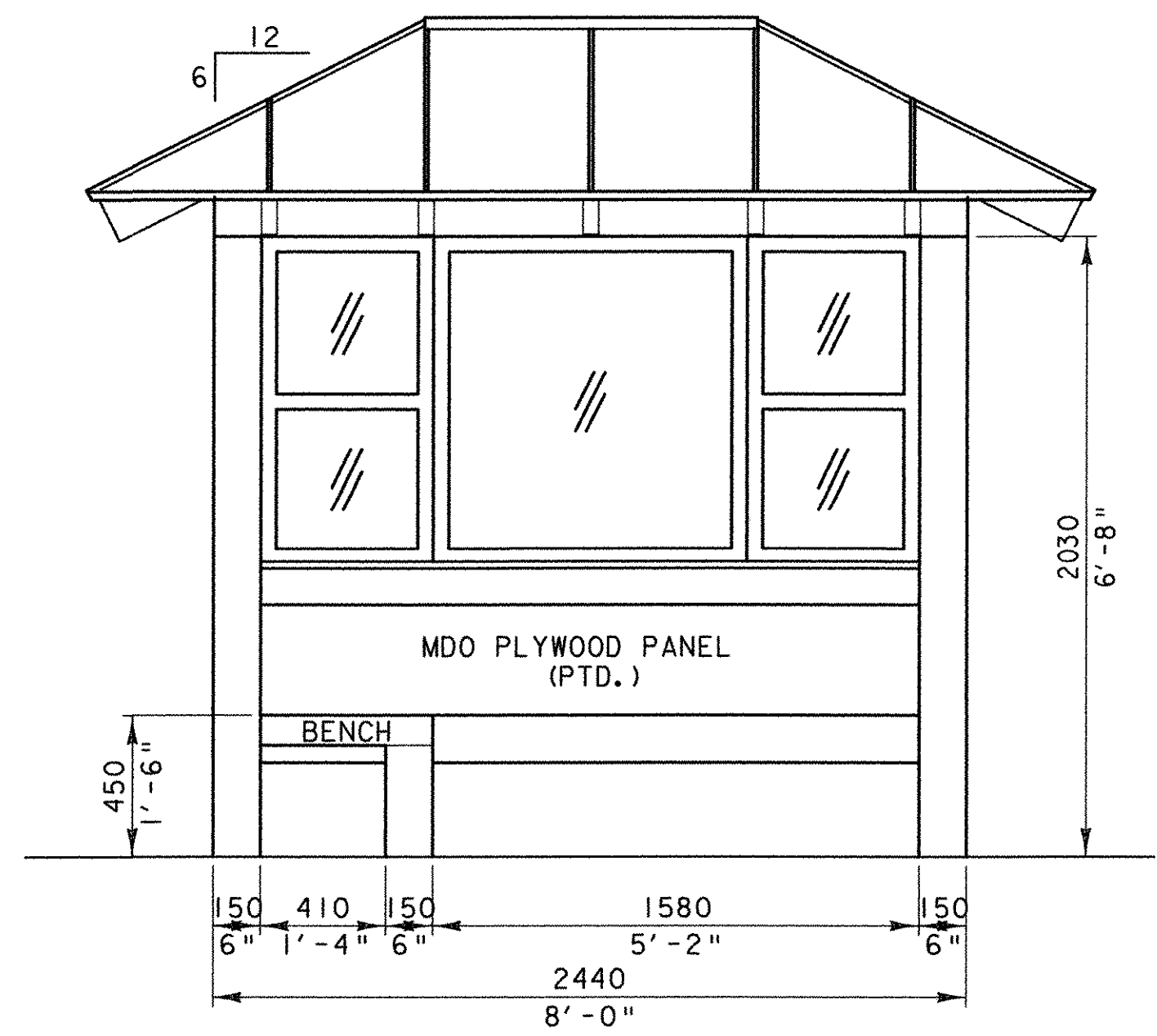
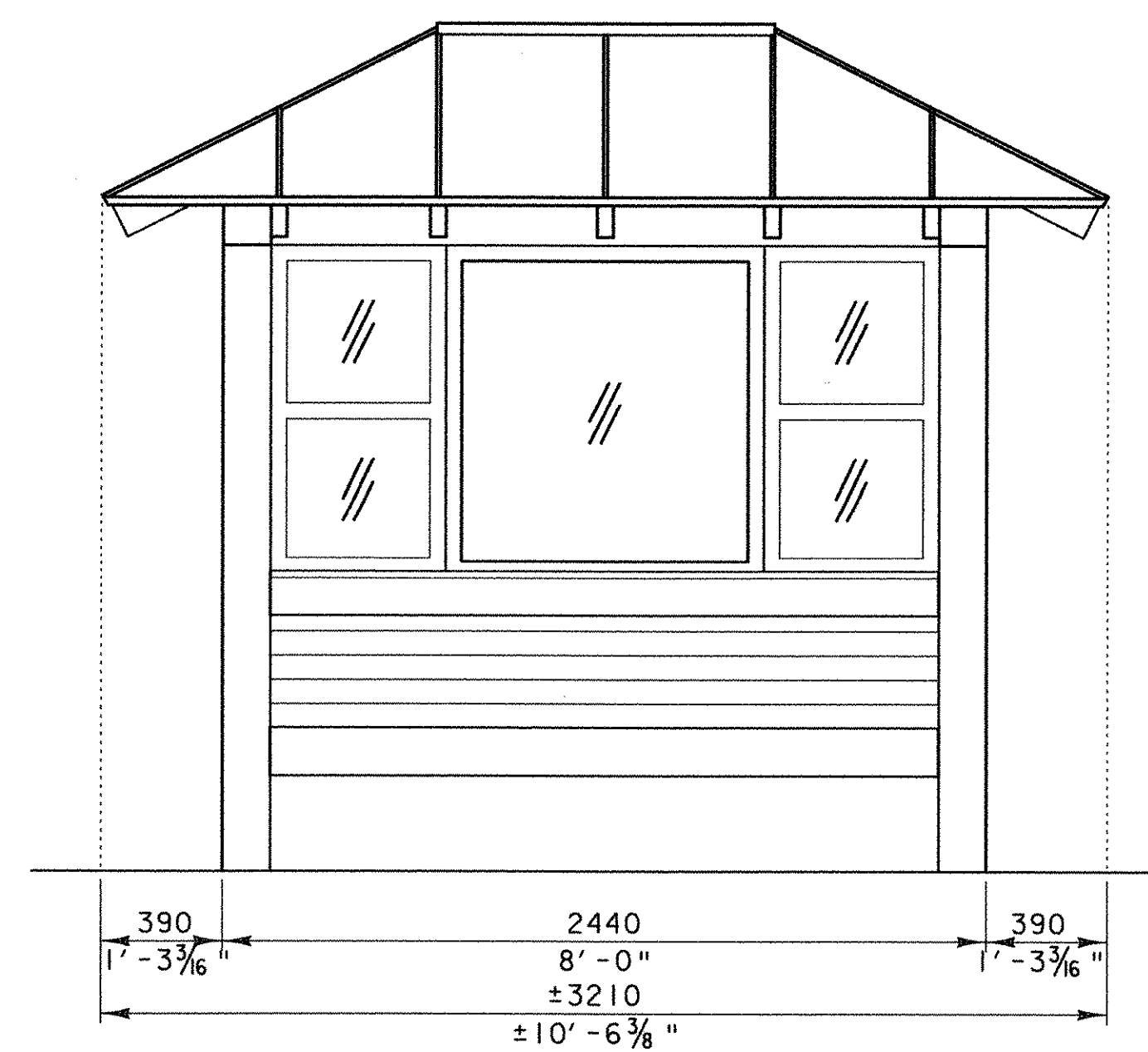


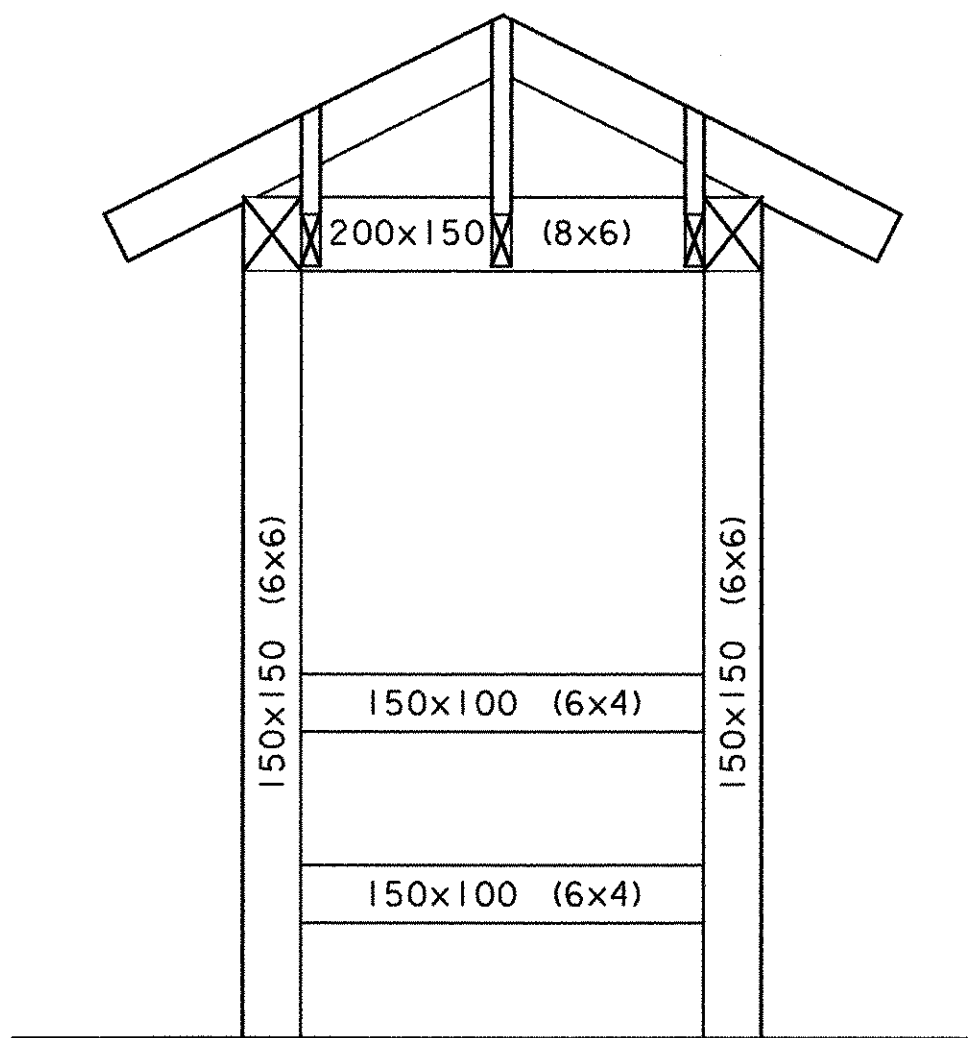
END ELEVATION (TYP.)



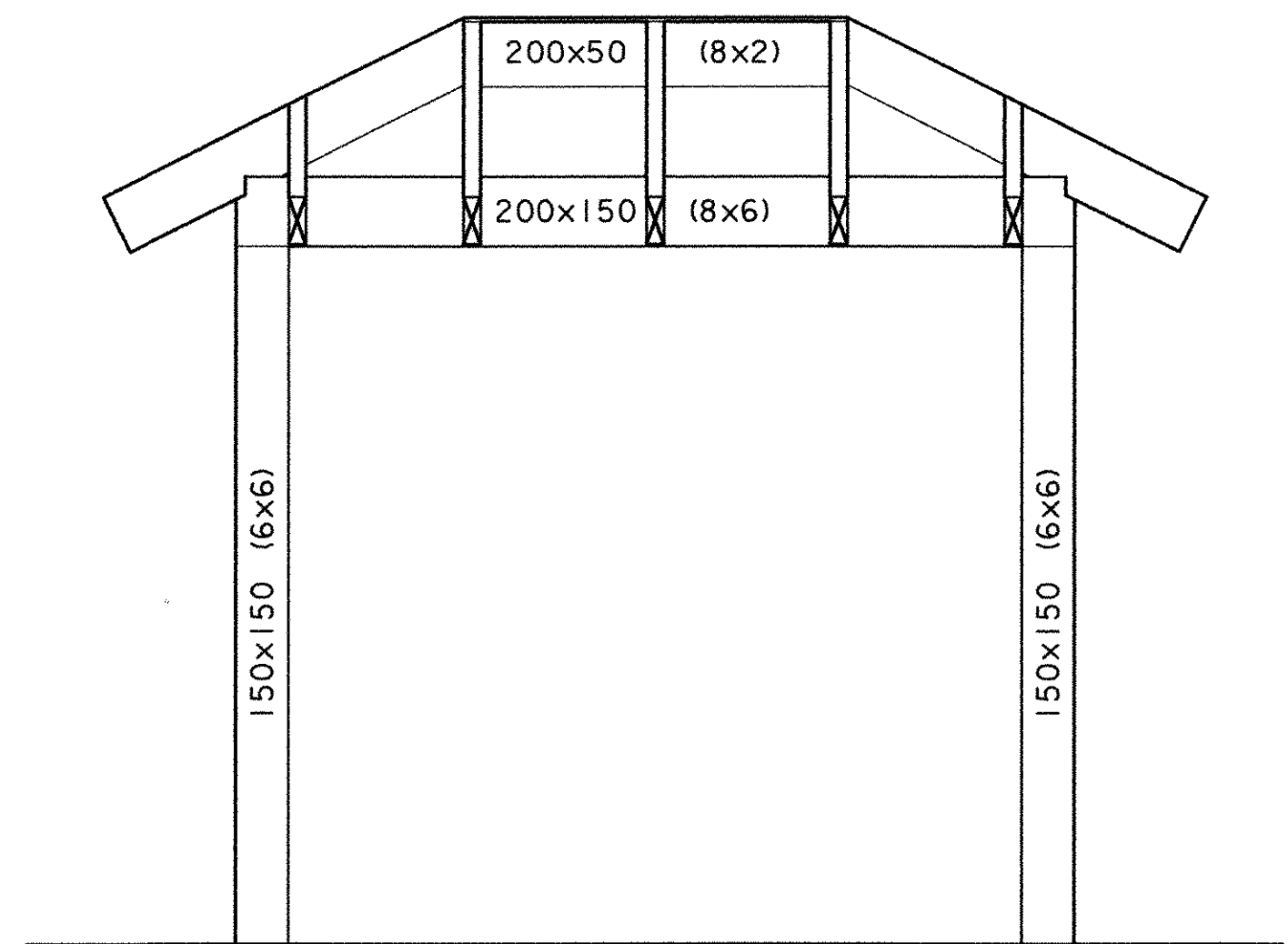
FRONT/INTERIOR ELEVATION



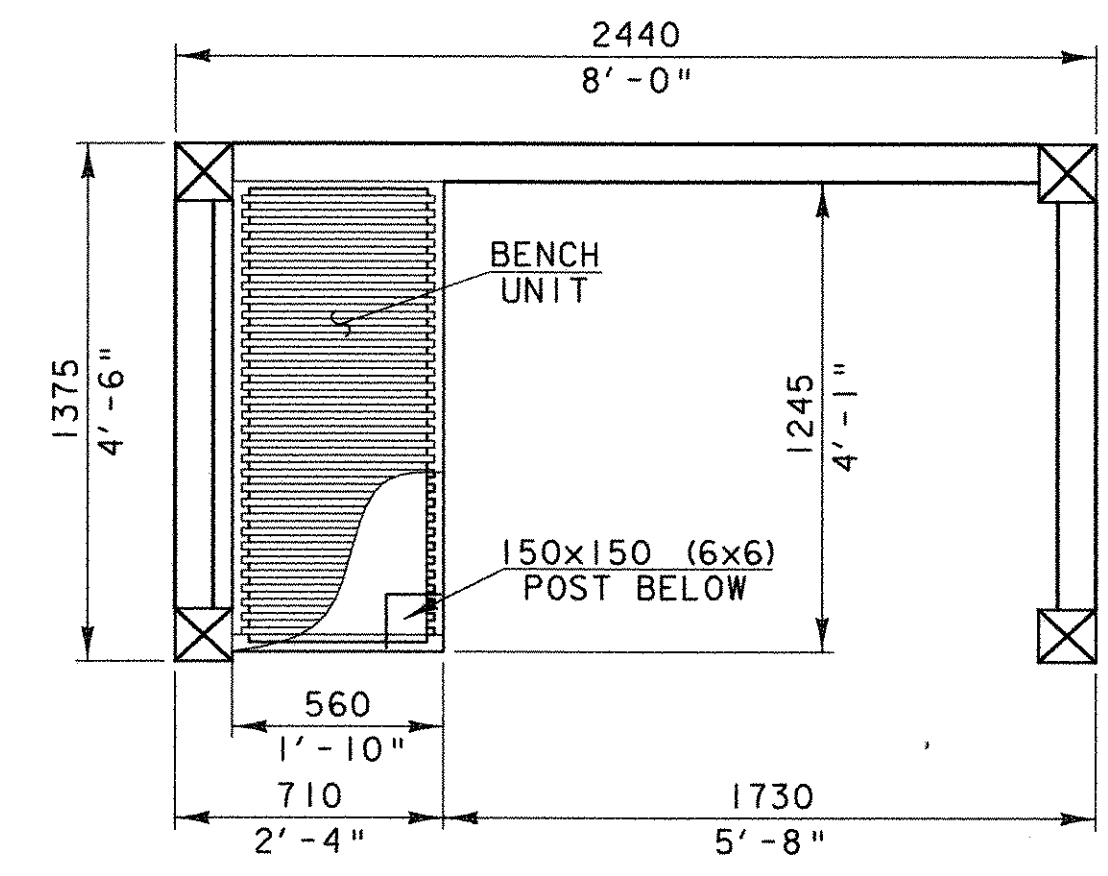
REAR ELEVATION



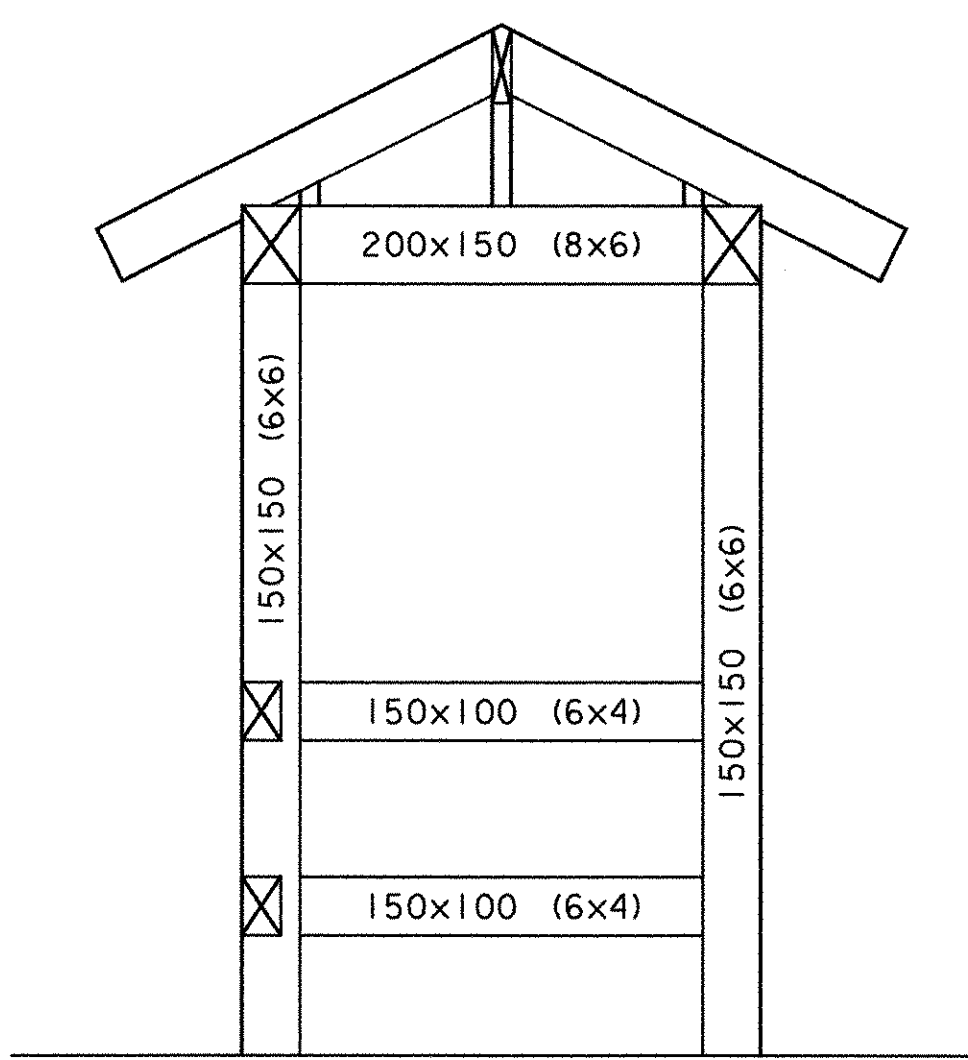
END FRAMING - ELEVATION



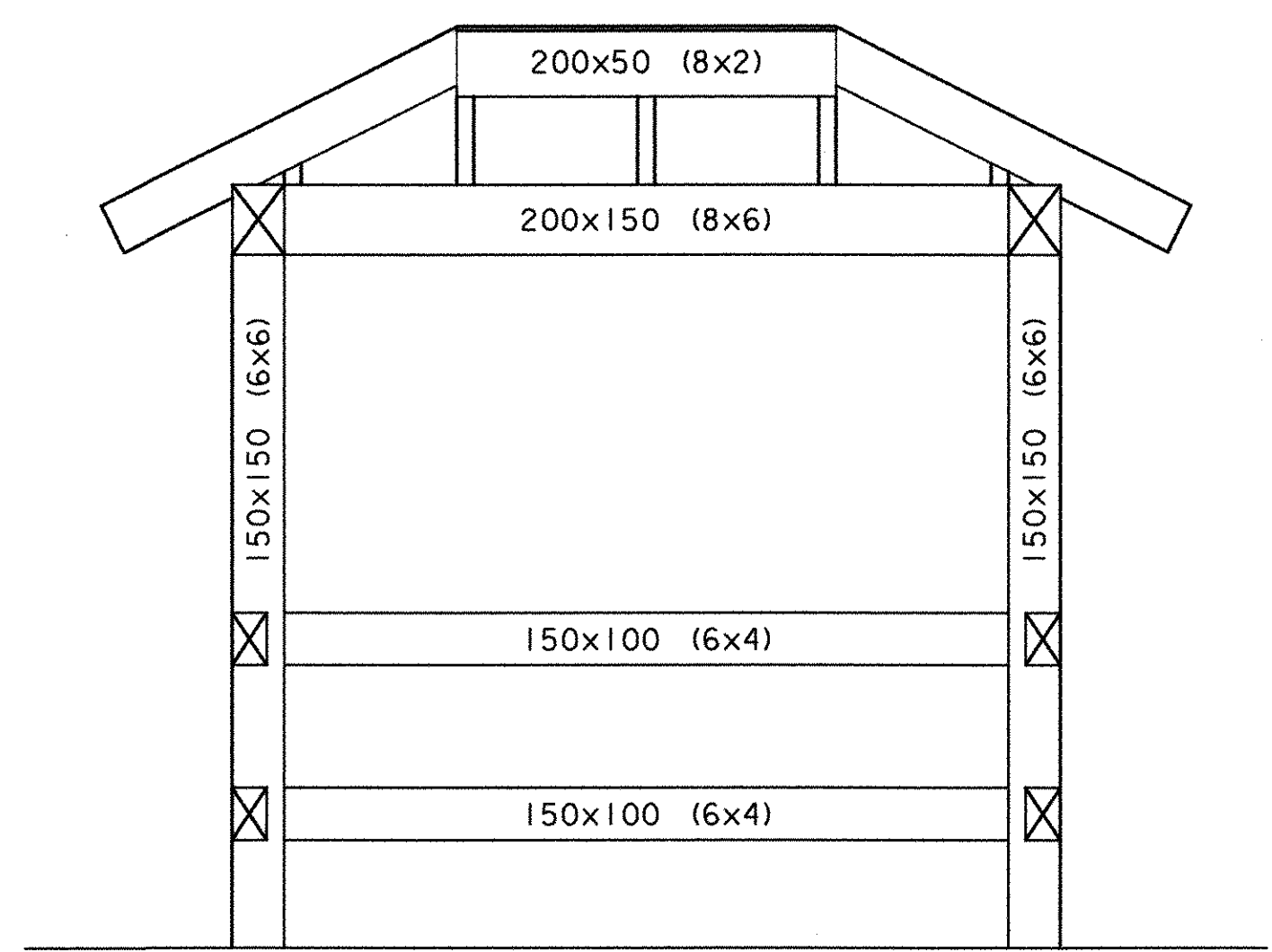
FRONT/REAR FRAMING - ELEVATION



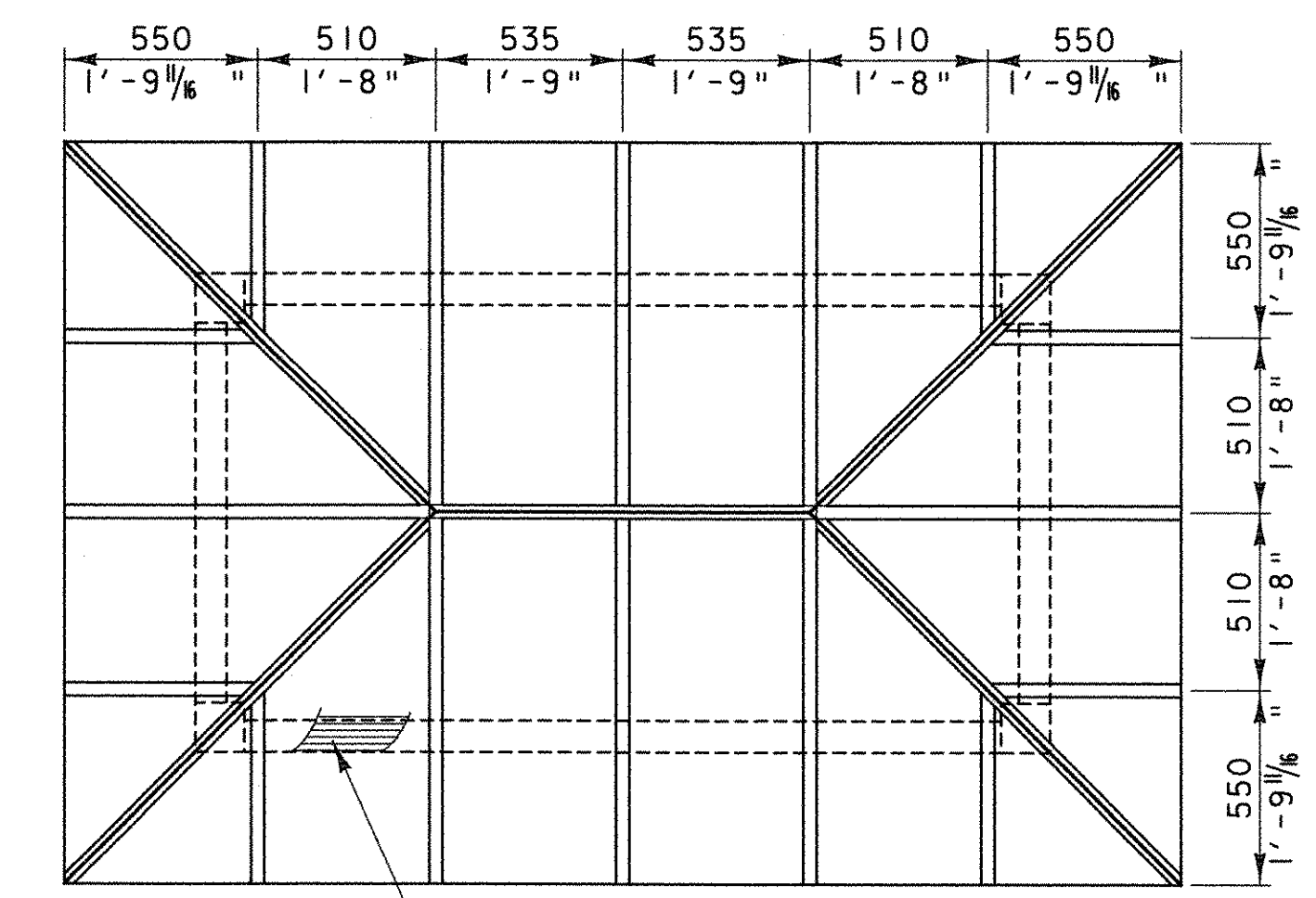
PLAN VIEW



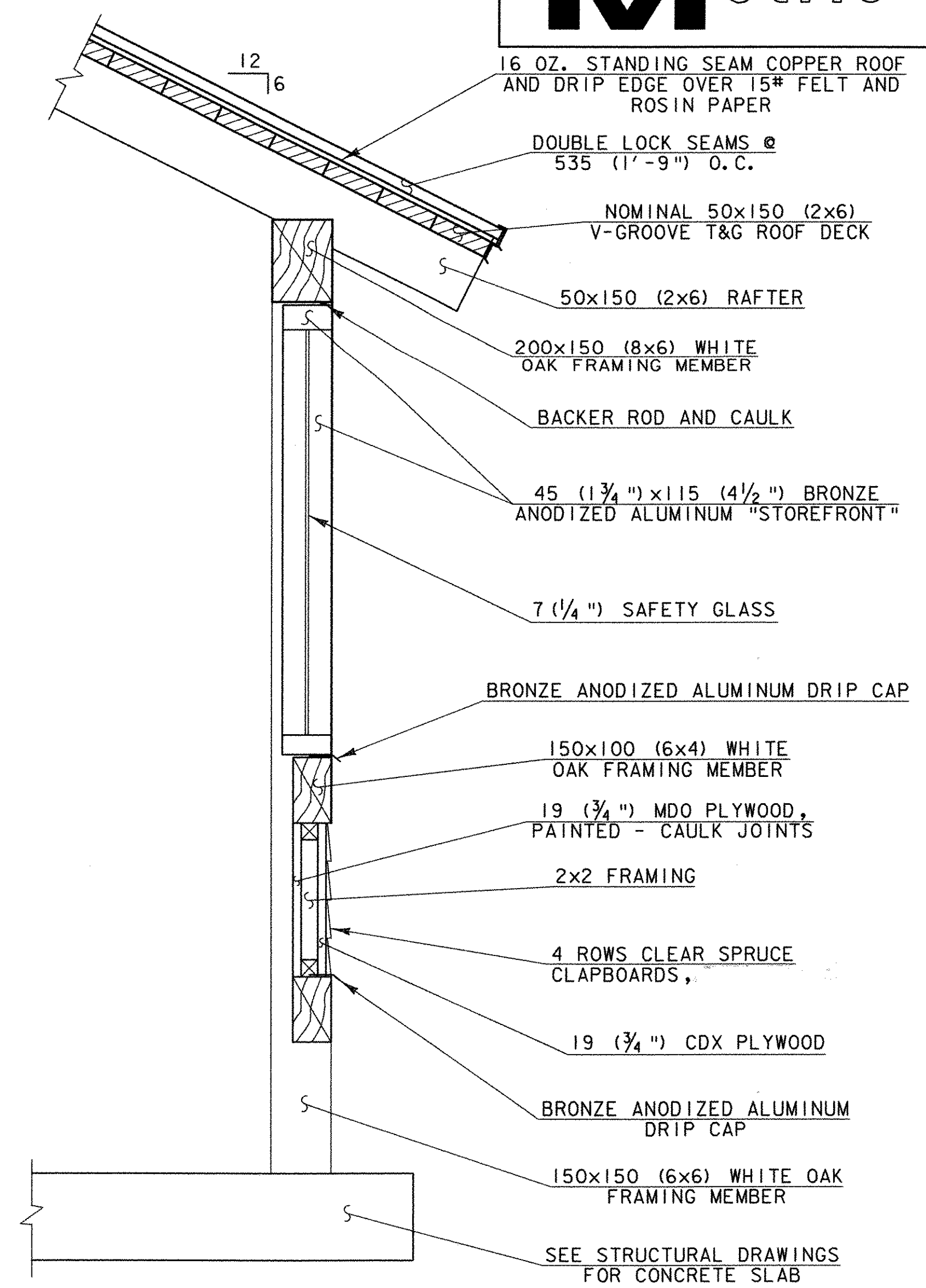
END FRAMING - SECTION



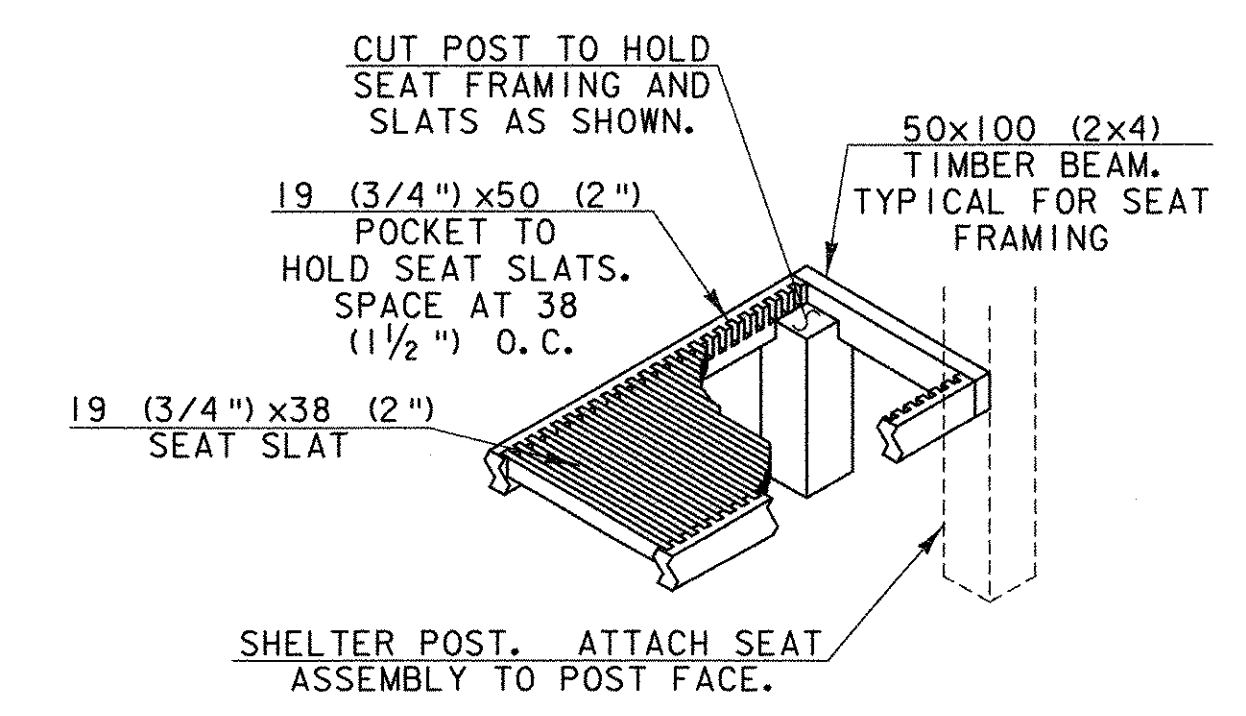
FRONT/REAR FRAMING - SECTION



ROOF FRAMING



TYPICAL WALL SECTION
NOT TO SCALE



DETAIL - BENCH FRAMING
NOT TO SCALE

- NOTES**
- PAYMENT OF ITEMS AND LABOR SHOWN ON THIS SHEET SHALL BE INCLUDED UNDER ITEM 658.10, "ROADSIDE REST FACILITY (BUILDING)".
 - JACK AND COMMON RAFTERS ARE 50x150 (2x6). HIP RAFTERS ARE 50x180 (2x7). RIDGE BEAM IS 50x200 (2x8).

ALL DETAILS SCALE 1:20
UNLESS OTHERWISE NOTED

PROJECT NAME:	ST. ALBANS PARK & RIDE
PROJECT NUMBER:	CMG PARK (23)S
FILE NAME:	PLOT DATE: 10/14/2005
PROJECT LEADER: JWT	DRAWN BY: PGJ
DESIGNED BY: PGJ	CHECKED BY: EPD
SHELTER DETAILS	SHEET 25 OF 29