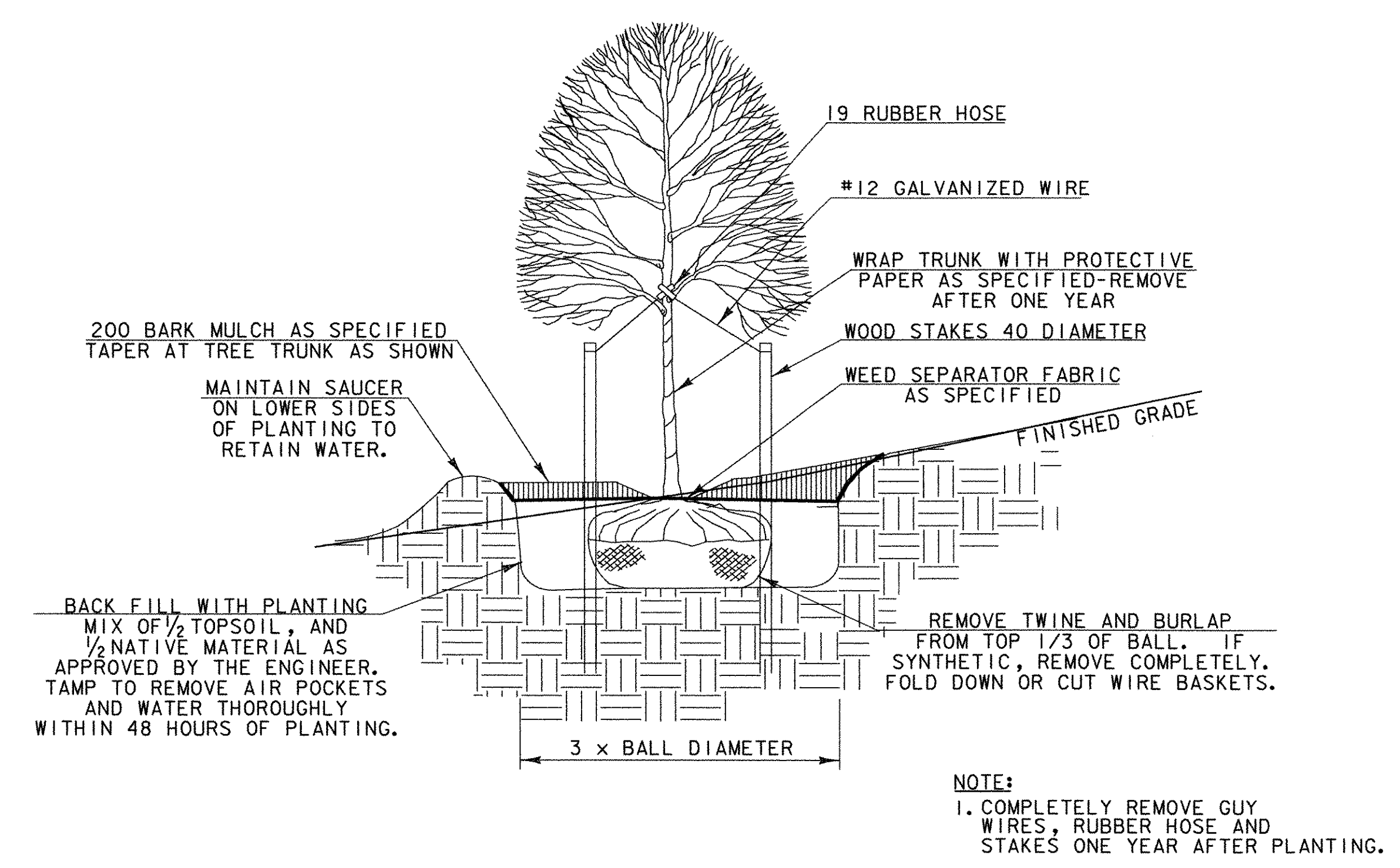
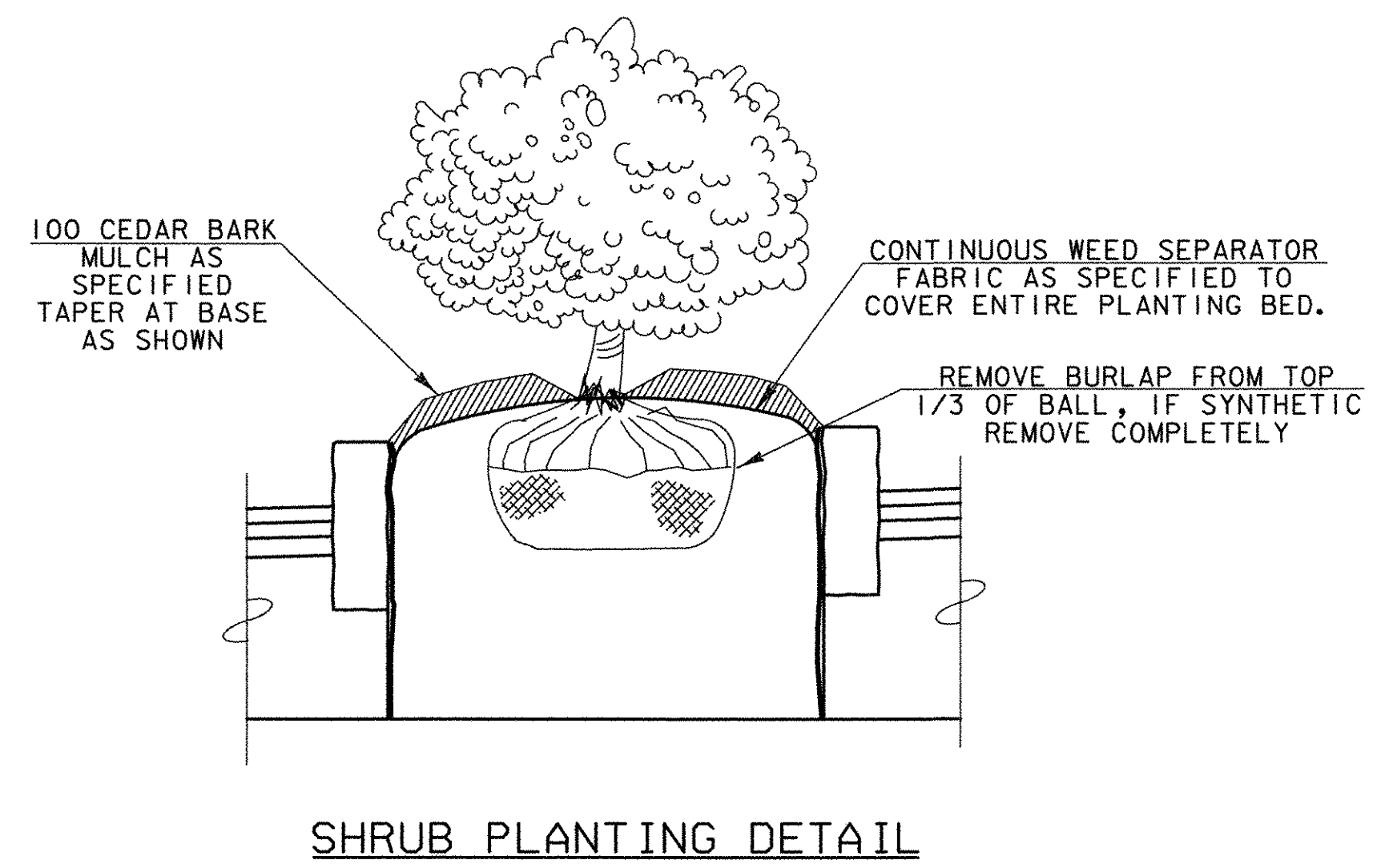


TREE PLANTING DETAIL

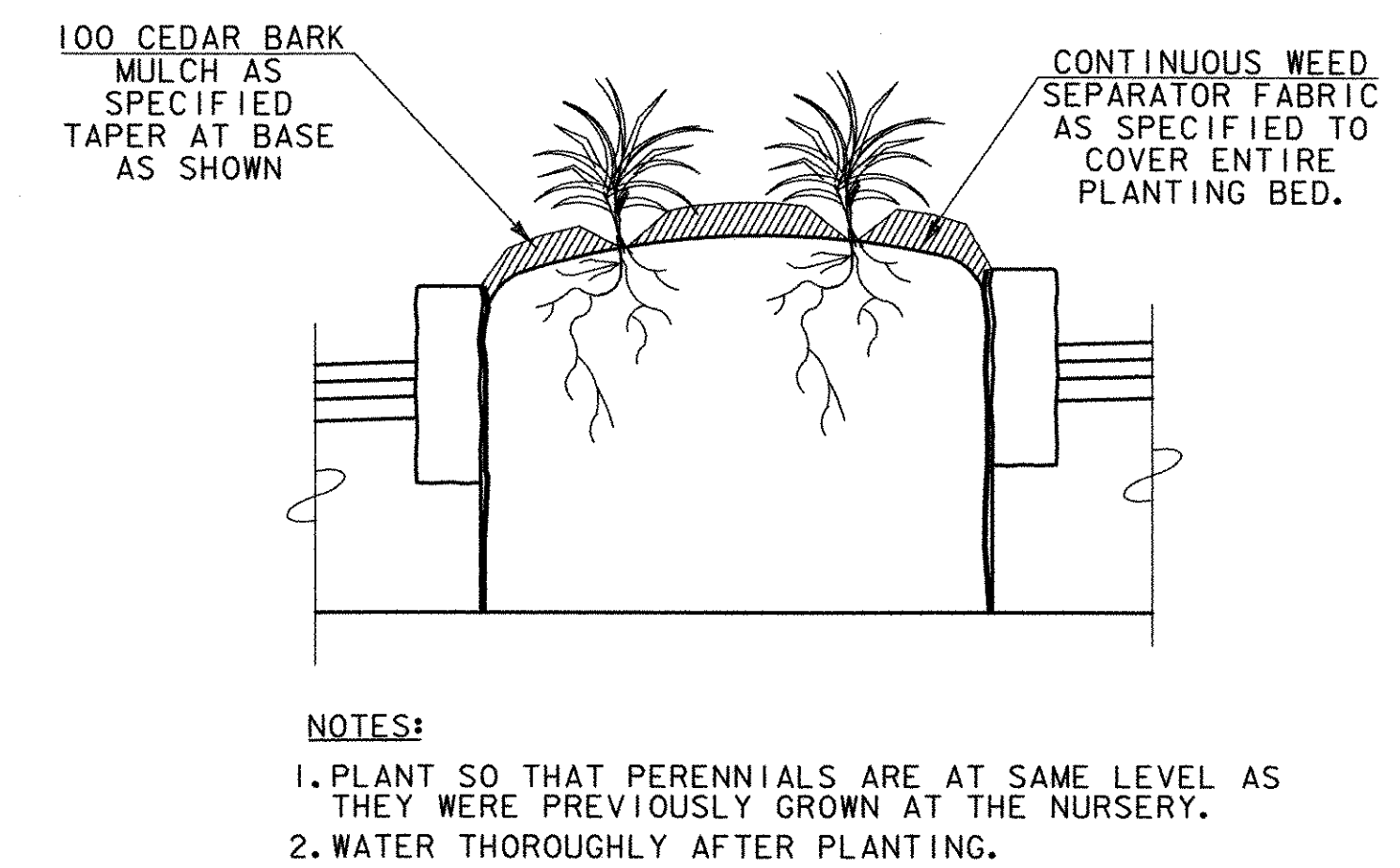


TREE PLANTING ON SLOPES DETAIL

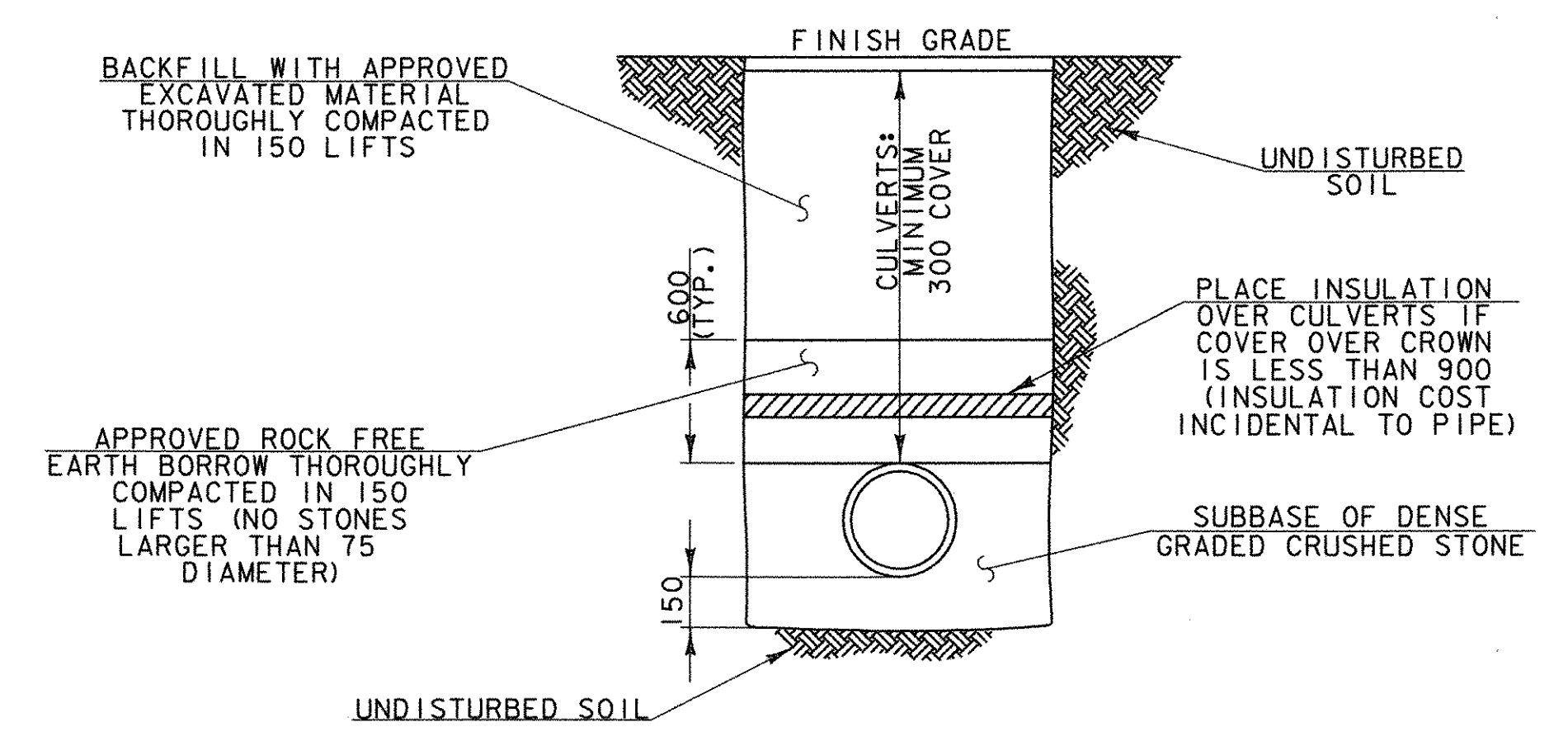
NOTE: SEE SHEET 10 FOR PLANTING SCHEDULES.



SHRUB PLANTING DETAIL



PERENNIAL PLANTING DETAIL



TYPICAL STORM CULVERT TRENCH

NOTE: ALL DETAILS NOT TO SCALE

PROJECT NAME:	ST. ALBANS PARK & RIDE	PLOT DATE:	10/14/2005
PROJECT NUMBER:	CMG PARK (23)S	DRAWN BY:	PGJ
FILE NAME:		DESIGNED BY:	PGJ
PROJECT LEADER:	JWT	CHECKED BY:	EPD
PLANTING & MISCELLANEOUS DETAILS		SHEET	15 OF 29