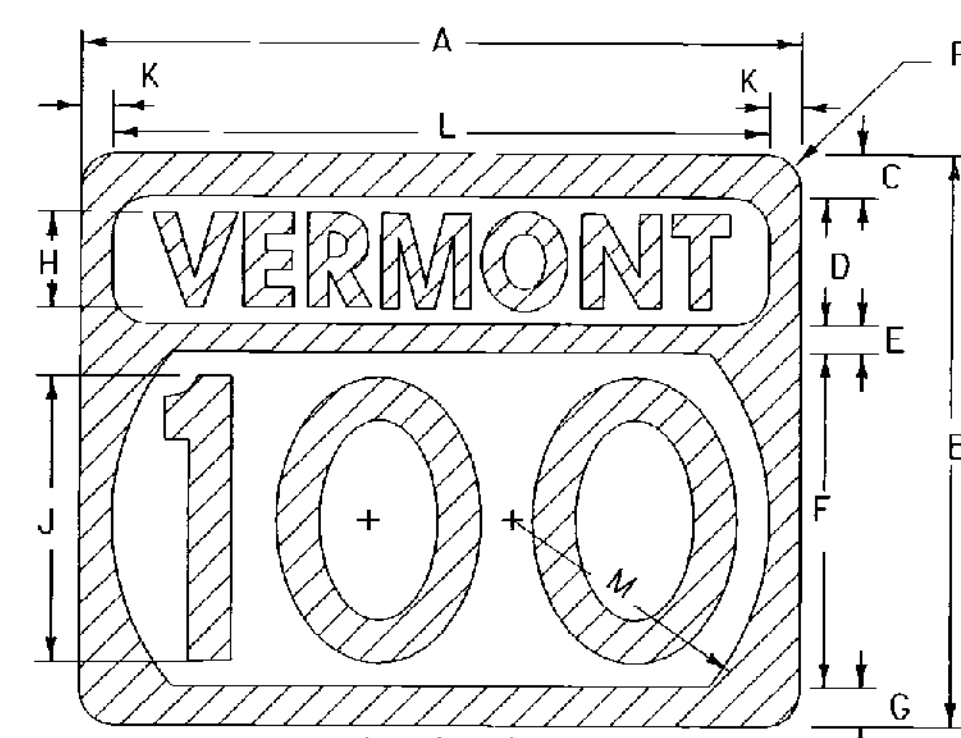
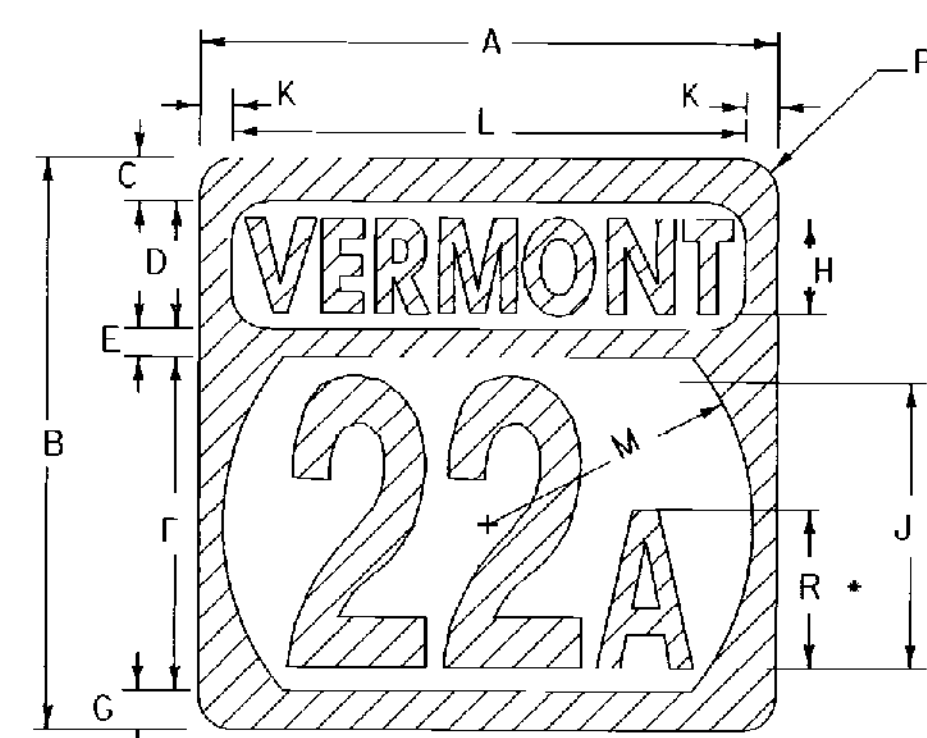


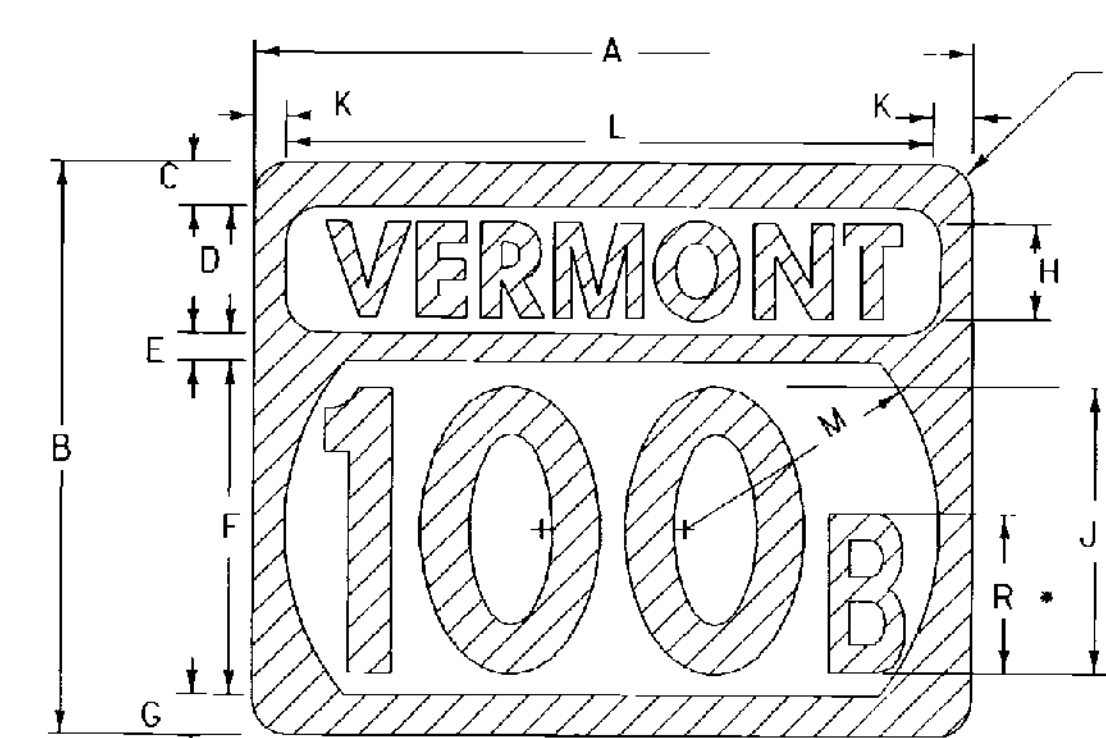
1 OR 2 DIGIT STATE ROUTE MARKER



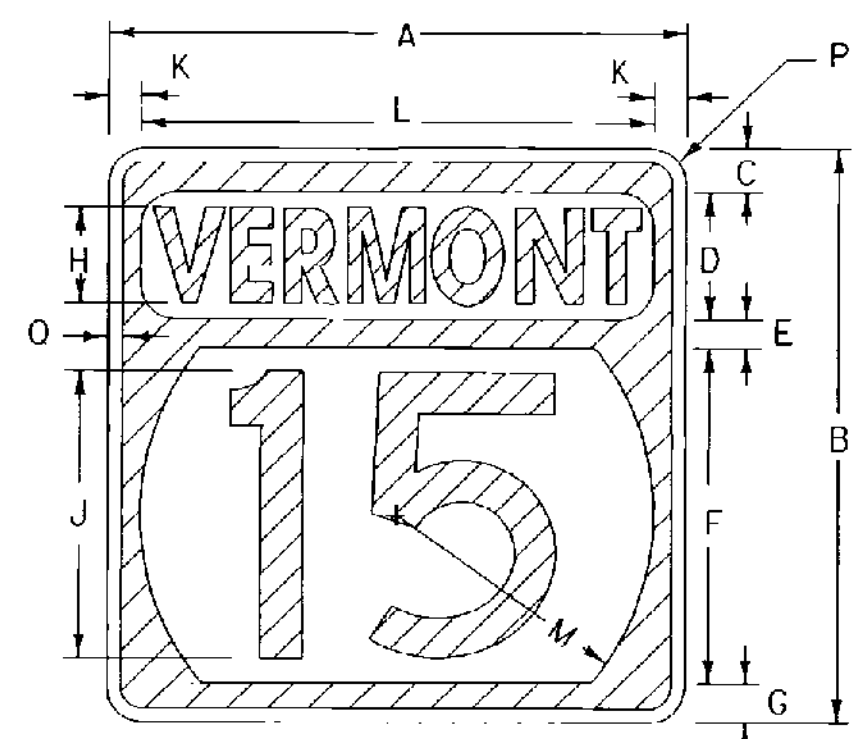
3 DIGIT STATE ROUTE MARKER



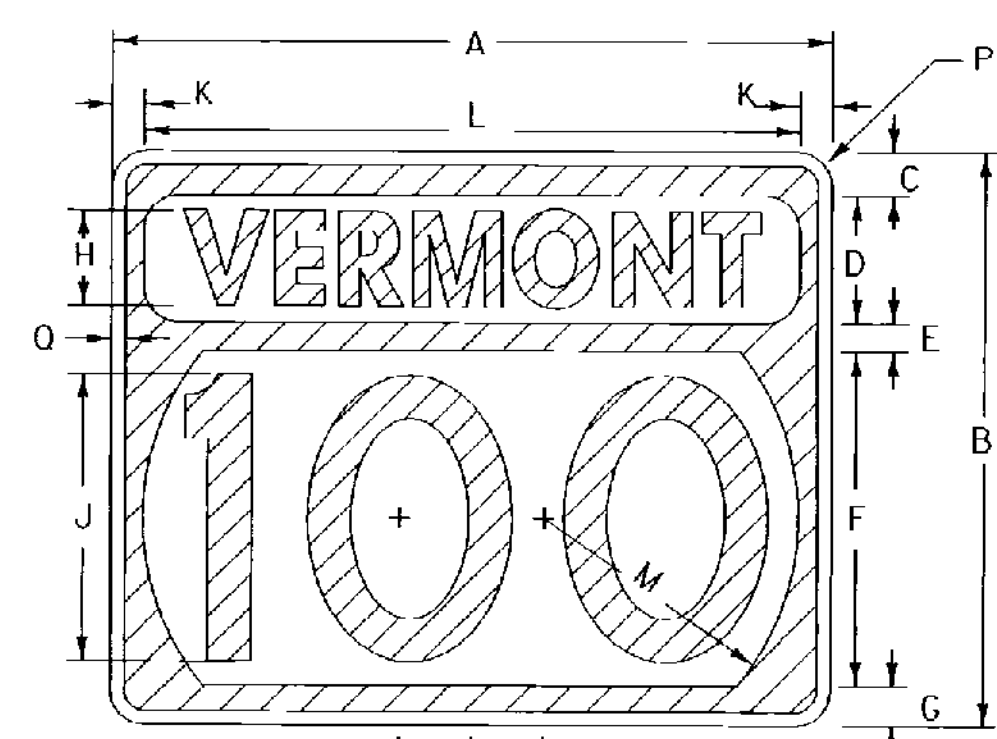
1 OR 2 DIGIT ALTERNATE STATE ROUTE MARKER



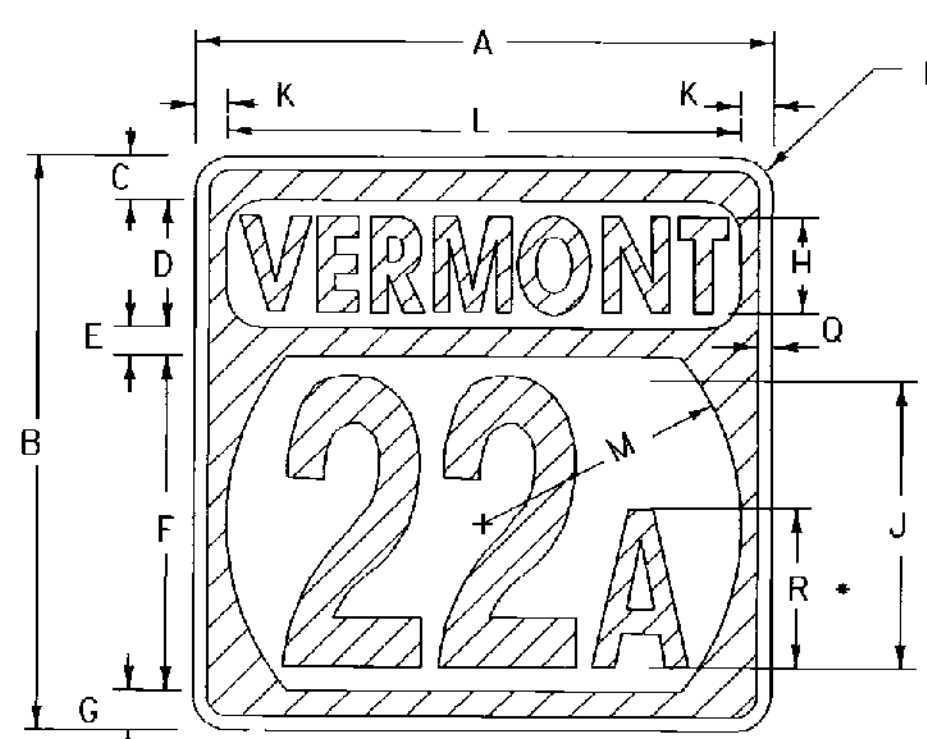
3 DIGIT ALTERNATE STATE ROUTE MARKER



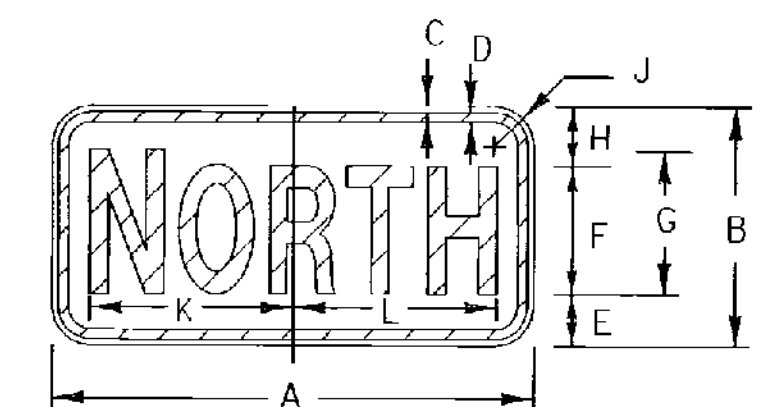
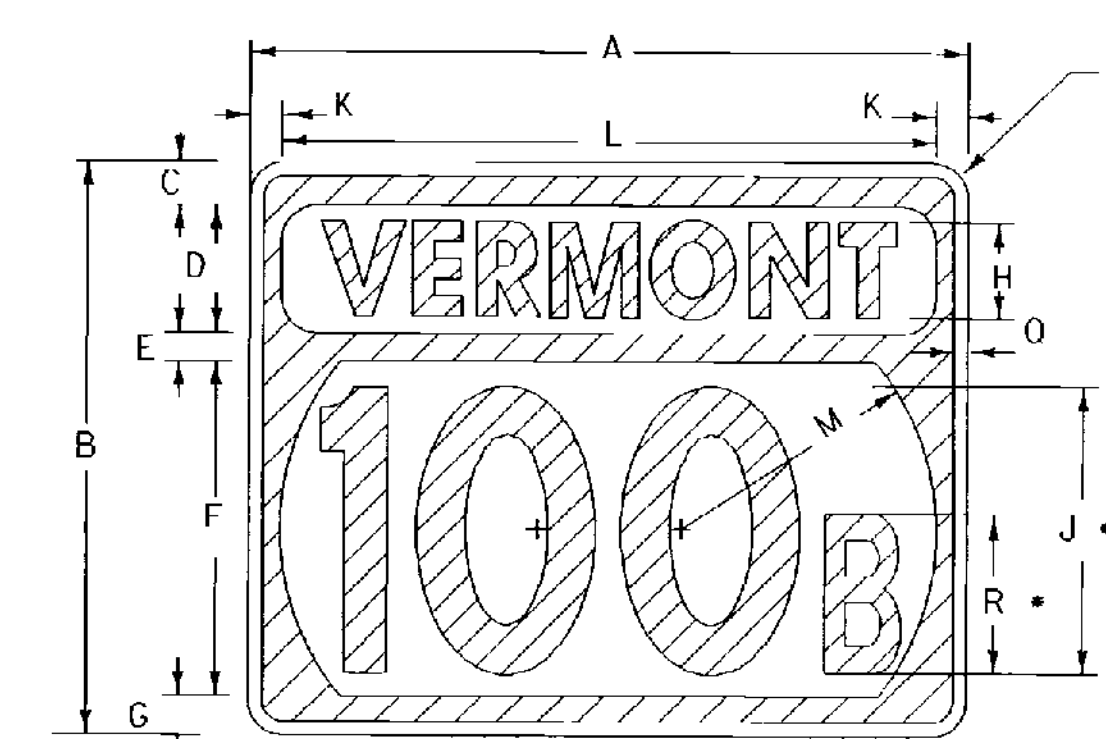
STATE ROUTE MARKER FOR GUIDE SIGN USE (INTERSTATE TYPICAL)



• ALTERNATE ROUTE SIGNS: OPTICALLY SPACE NUMERALS ABOUT VERTICAL CENTER-LINE AND REDUCE SPACING AS NECESSARY FOR EACH ROUTE



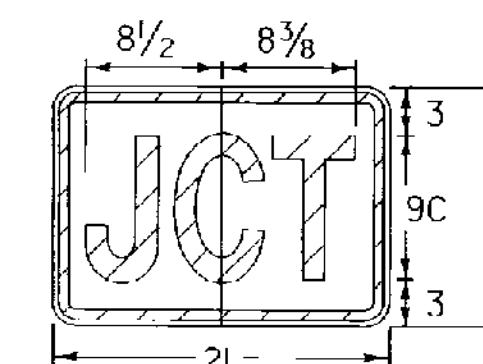
ALTERNATE STATE ROUTE MARKER FOR GUIDE SIGN USE (INTERSTATE TYPICAL)



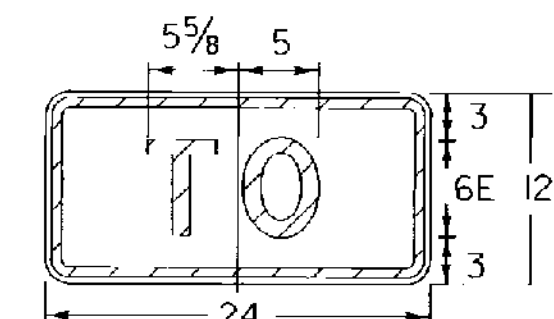
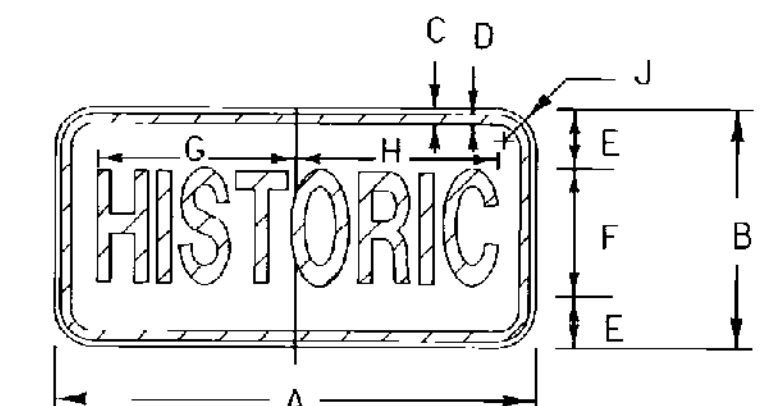
M3-1 M3-3 M3-2 M3-4

SIGN	DIMENSIONS (INCHES)										NORTH		SOUTH		EAST		WEST	
	A	B	C	D	E	F	G	H	J	K	L	K	L	K	L	K	L	
MIN. & STD.	24	12	3/8	5/8	2 3/4	6C	7C	3 3/4	1 1/2	10 1/4	10 1/4	10 1/4	9 3/4	7 7/8	8 3/8	8 3/4	8 1/2	
SPECIAL	30	15	3/8	5/8	3 1/4	8C	9C	3 3/4	1 1/2	12 1/4	12 1/4	12 1/4	12 1/2	10 3/8	11 1/8	11 1/2	11 3/8	

M2-1



CARDINAL DIRECTION MARKER



M4-5

TRAILBLAZER

SIGN	DIMENSIONS (INCHES)									
	A	B	C	D	E	F	G	H	J	
MIN. & STD.	24	12	3/8	5/8	3 1/2	5B	10 1/8	9 3/8	1 1/2	
SPECIAL	30	15	3/8	5/8	4	7D*	12 3/8	12 5/8	1 1/2	

* REDUCE SPACING 35%

MATERIALS

THE SIGN BASE MATERIAL MAY BE ANY OF THE FOLLOWING, WITH THE MINIMUM THICKNESSES AS NOTED:

MATERIAL	THICKNESS
FLAT SHEET ALUMINUM	
LESS THAN 24" X 24"	0.060"
WHEN USED ON GUIDE SIGNS	0.060"
24" X 24", 30" X 24"	0.080"
36" X 36", 45" X 36"	0.100"

GALVANIZED FLAT SHEET STEEL

MATERIAL	THICKNESS
LESS THAN 24" X 24"	18 GAGE
WHEN USED ON GUIDE SIGNS	18 GAGE
24" X 24", 30" X 24"	16 GAGE
36" X 36", 45" X 36"	14 GAGE

THE REFLECTIVE MATERIAL SHALL BE WHITE REFLECTIVE SHEETING APPLIED TO THE ENTIRE BACKGROUND. THE TEXTS MAY BE LETTERING FILM, SILK SCREENED, OR HAND PAINTED.

COLORS

COLORS FOR GUIDE USE: TEXT AND SHIELD - GREEN (REF.) BACKGROUND AND BORDER - WHITE (REF.) STATE ROUTE MARKERS SHALL HAVE REFLECTIVE GREEN TEXT AND BORDERS ON REFLECTORIZED WHITE BACKGROUNDS. GREEN AREAS ARE INDICATED BY SINGLE LINE CROSSHATCHING

LETTERING

LETTERS AND DIGITS SHALL CONFORM WITH THE "STANDARD ALPHABET FOR HIGHWAY SIGNS AND PAVEMENT MARKINGS" ADOPTED BY THE U.S. DEPARTMENT OF TRANSPORTATION AND FHWA.

SPECIFICATIONS

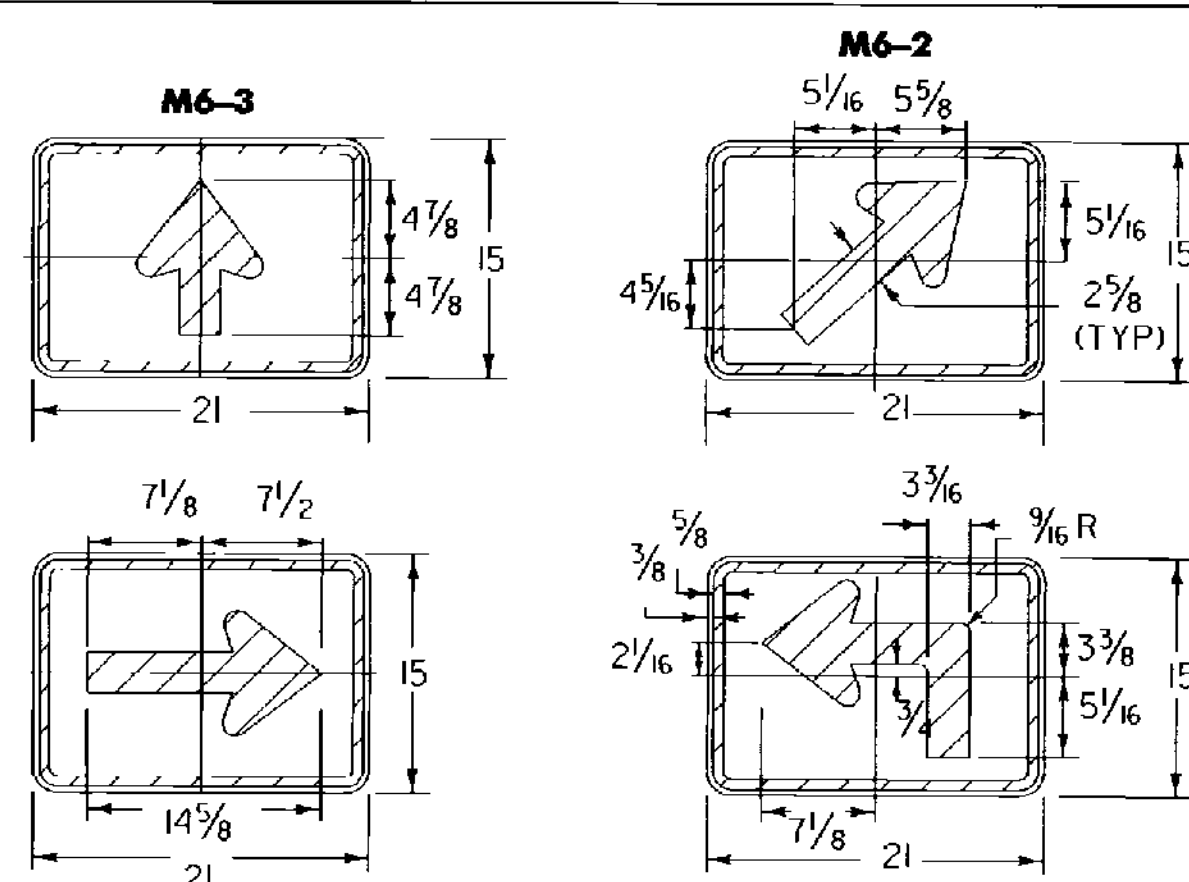
STATE ROUTE MARKERS AND AUXILIARY ROUTE MARKERS SHALL MEET THE STANDARD STATE SPECIFICATIONS FOR TRAFFIC SIGNS.

DESIGNS

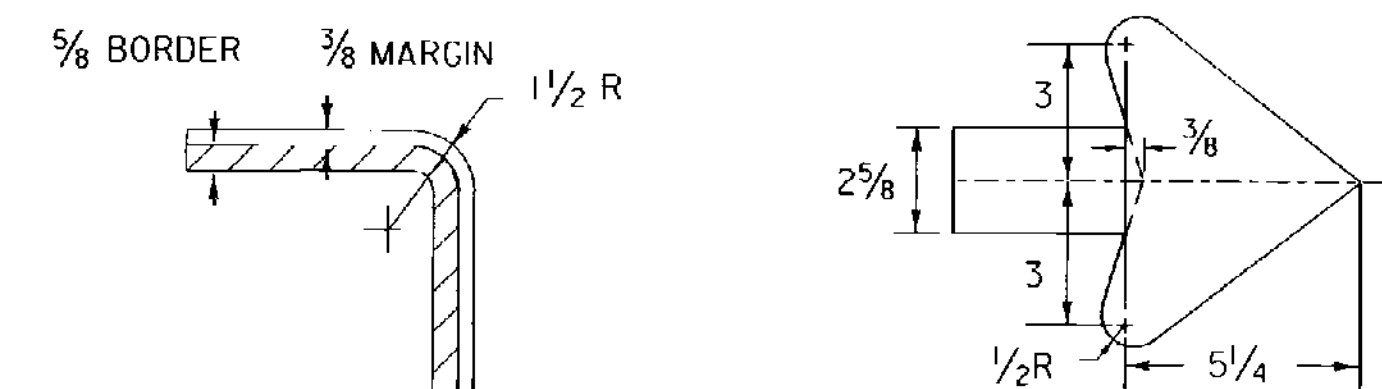
THE DESIGNS OF STATE ROUTE MARKERS AND AUXILIARY MARKERS SHALL CONFORM WITH THE REQUIREMENTS SET FORTH IN THE "MANUAL ON UNIFORM TRAFFIC CONTROL DEVICES" ADOPTED BY THE U.S. DEPARTMENT OF TRANSPORTATION AND FHWA.

OTHER STDS. REQUIRED:

SIGN	DIMENSIONS (INCHES)															
	A	B	C	D	E	F	G	H	J	K	L	M	N	P	Q	R
1,2-digits	24	24	1 1/2	6	1	14	1 1/2	4C	12D	1	22	11	-	1 1/2	1/2	7B
1,2-digits	36	36	2 5/8	8	1 3/4	21	2 5/8	6C	18D	2	32	16 1/2	-	2 1/4	7/8	10B
3-digits	30	24	1 1/2	6	1	14	1 1/2	4D	12D	1	28	11	3	1 1/2	1/2	7B
3-digits	45	36	2 5/8	8	1 3/4	21	2 5/8	6D	18D	2	41	16 1/2	4 1/2	2 1/4	3/8	10B



M6-1 M6-2 M6-3 DIRECTION ARROW OR ADVANCE TURN ARROWS



TYPICAL RADIUS DETAIL TYPICAL ARROW DETAIL

(ALL DIMENSIONS IN INCHES)

REVISIONS AND CORRECTIONS

AUG. 08, 1995 - DATE OF ORIGINAL ISSUE

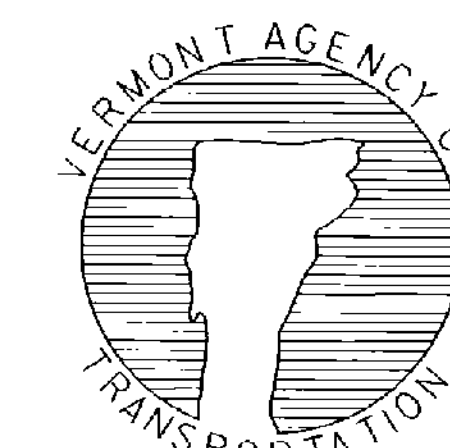
APPROVED

Stephen B. MacArthur
DIRECTOR OF ENGINEERING

David A. Ross
TRAFFIC AND SAFETY ENGINEER

STATE ROUTE MARKER SIGN DETAILS

APPROVED FOR THIS PROJECT AND/OR DESIGN IMPLEMENTATION. FHWA FINAL APPROVAL PENDING.



STANDARD E-136 B