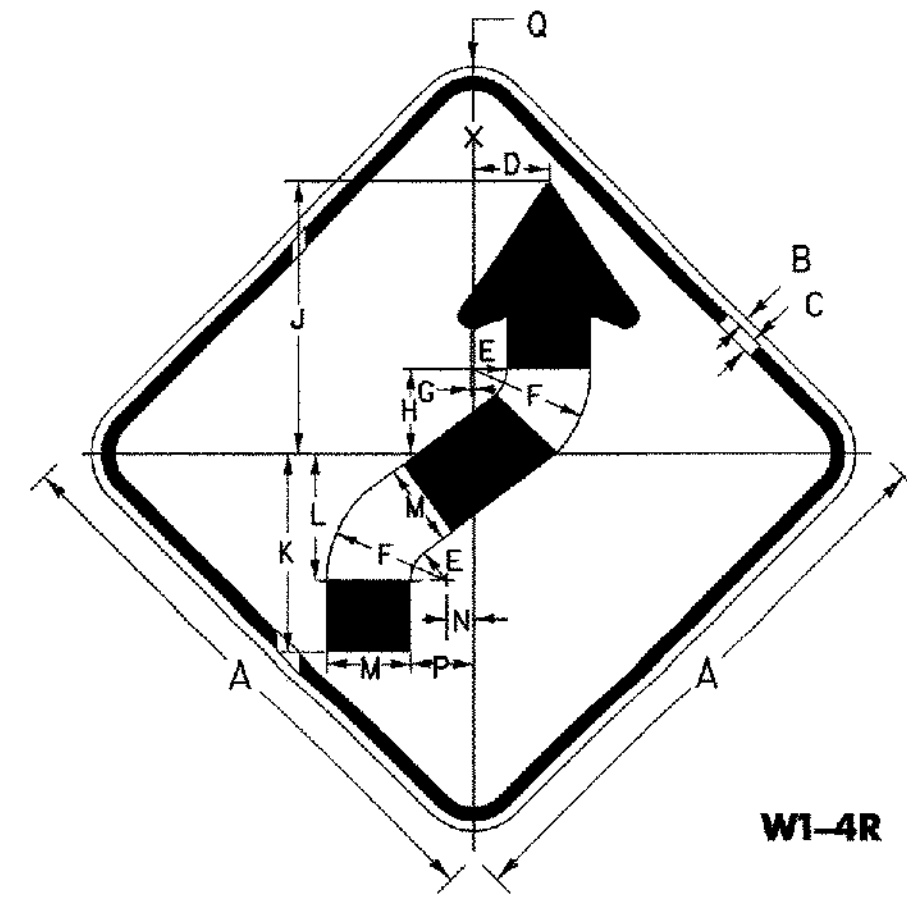
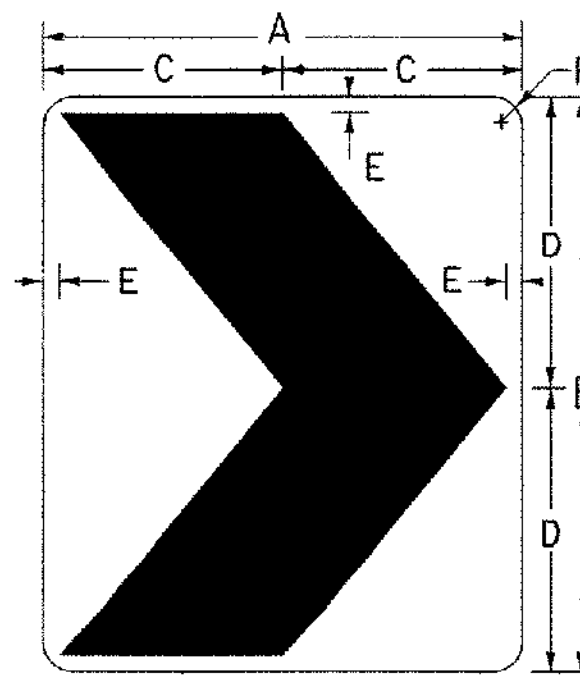


W1-3R

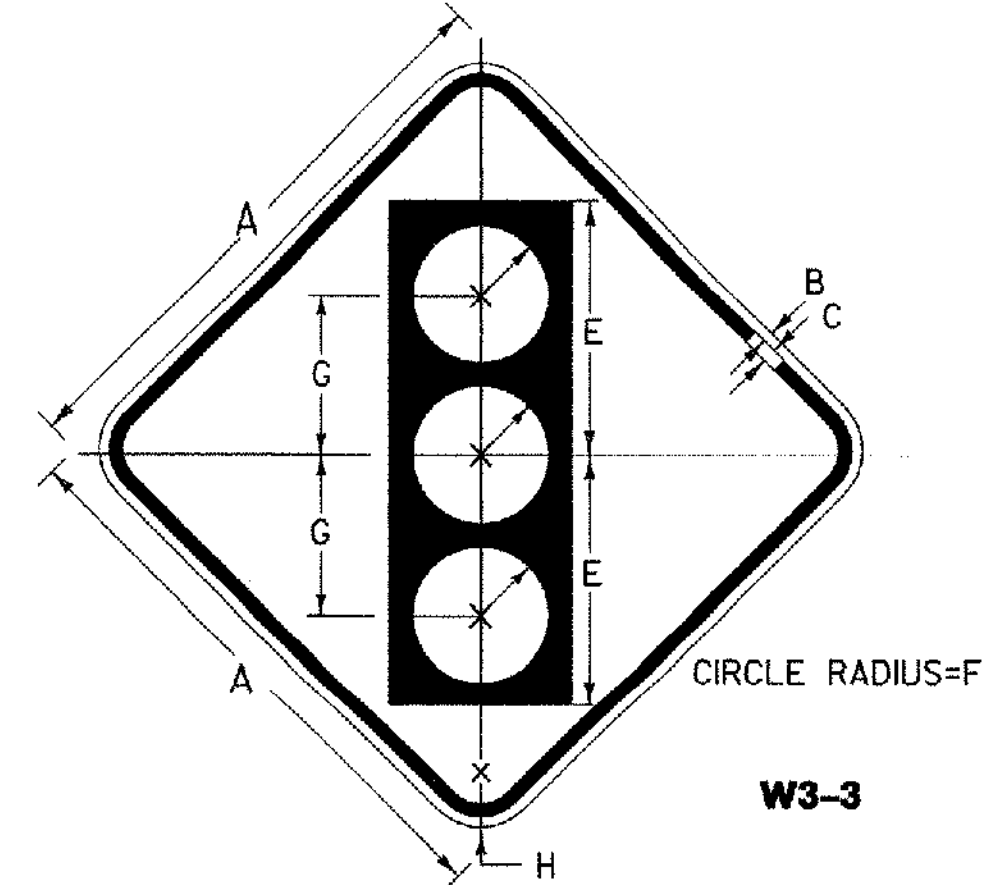


W1-4R



W1-8

SIGN	DIMENSIONS (INCHES)					
	A	B	C	D	E	F
STD.	18	24	9	12	3/4	1 1/2
SPECIAL	24	30	12	15	1 1/8	1 1/2
EXPWY.	30	36	15	18	1	1 1/8
FRWY.	36	48	18	24	1 1/8	2 1/4

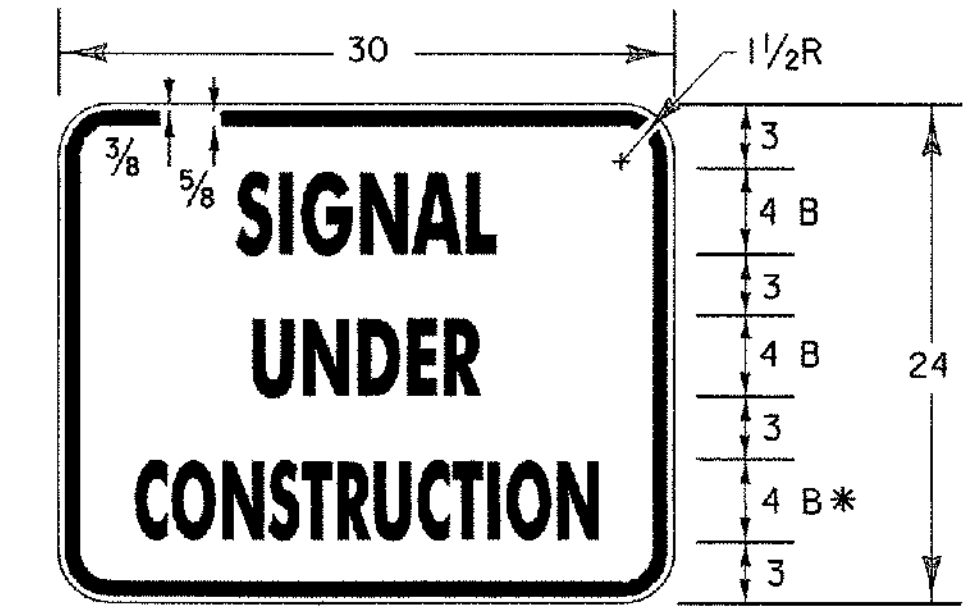


W3-3

SIGN	DIMENSIONS (INCHES)							
	A	B	C	D	E	F	G	H
STD. & MIN.	36	5/8	7/8	5 3/4	15 3/4	4 1/4	10	2 1/4
SPECIAL	48	3/4	1 1/4	7 1/2	20	5	12 1/2	3

**COLORS**

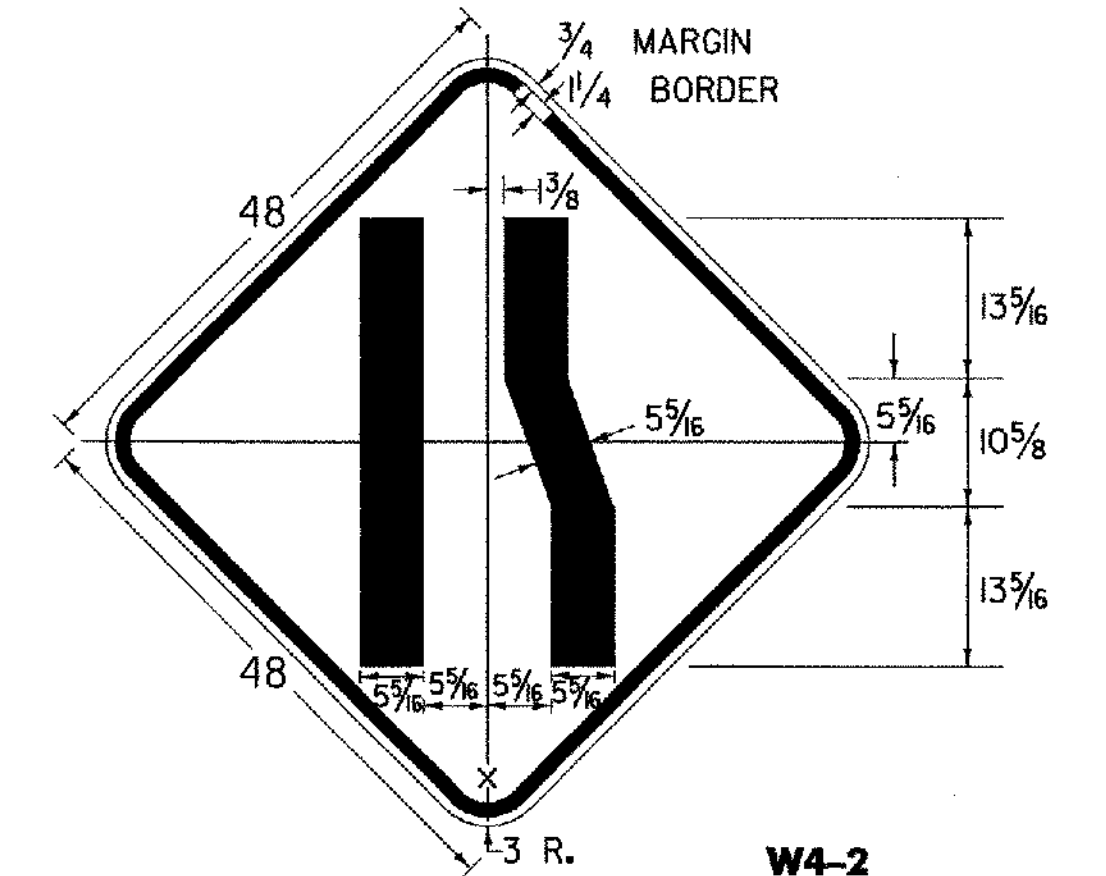
SYMBOL & LEGEND - BLACK (NON-REFL)  
 BACKGROUND - ORANGE (REFL)  
 TOP CIRCLE RED (REFL)  
 MIDDLE CIRCLE YELLOW (REFL)  
 BOTTOM CIRCLE GREEN (REFL)



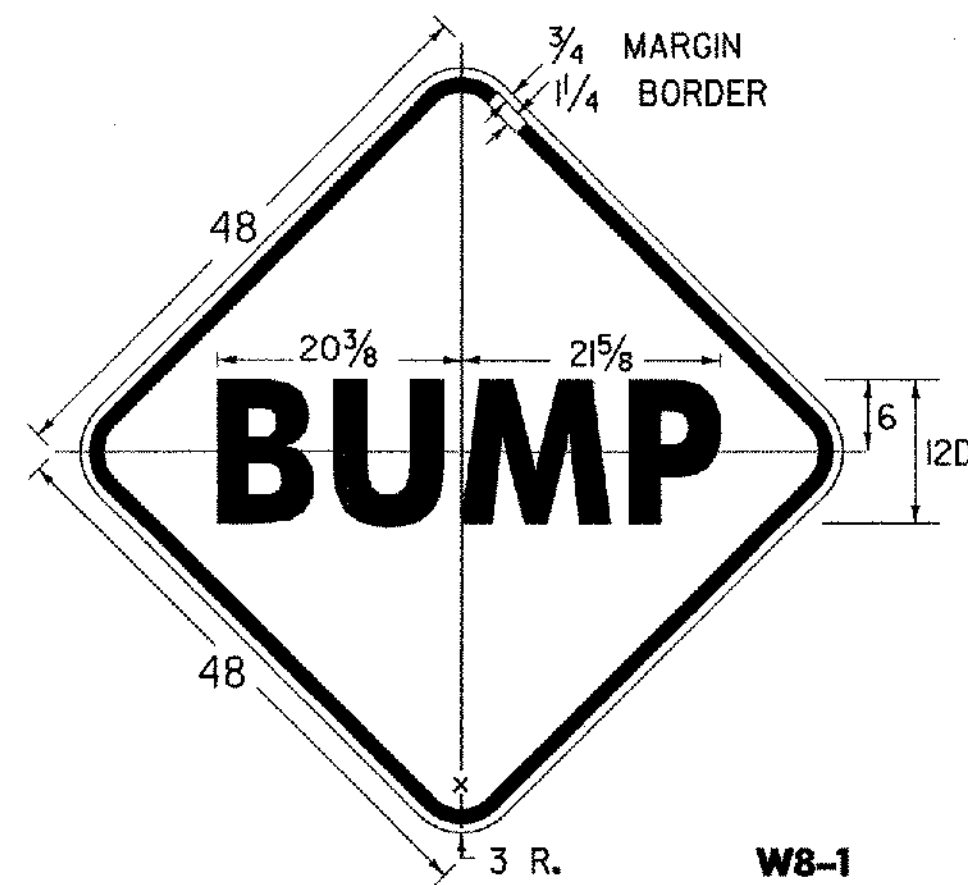
\* REDUCE SPACING 50%

SIGN	DIMENSIONS (INCHES)											
	A	B	C	D	E	F	G	H	J	K	L	M
STD. & MIN.	36	5/8	7/8	17 1/16	4 1/32	5 1/4	1 1/4	3 5/8	4 1/2	12 5/32	1 3/32	2 1/4
SPECIAL	48	3/4	1 1/4	23 3/16	5 5/8	7	1 5/8	4 7/8	6	16 5/8	2 3/8	3

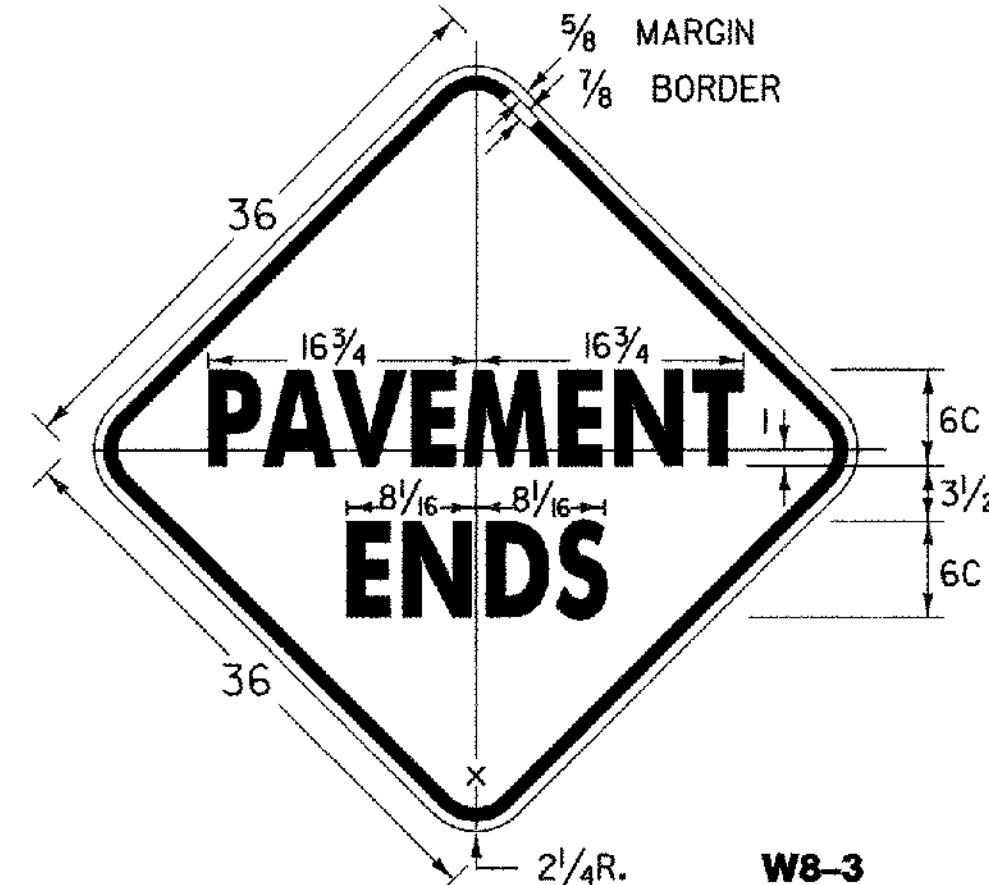
SIGN	DIMENSIONS (INCHES)														
	A	B	C	D	E	F	G	H	J	K	L	M	N	P	Q
STD. & MIN.	36	5/8	7/8	4 2/32	2 1/4	7 1/2	5/32	5 1/4	16 3/8	12 3/8	7 7/8	5 1/4	1 1/16	3 5/16	2 1/4
SPECIAL	48	3/4	1 1/4	6 5/16	3	10	3/16	7	22 1/2	16 1/2	10 1/2	7	2 1/4	5 1/4	3



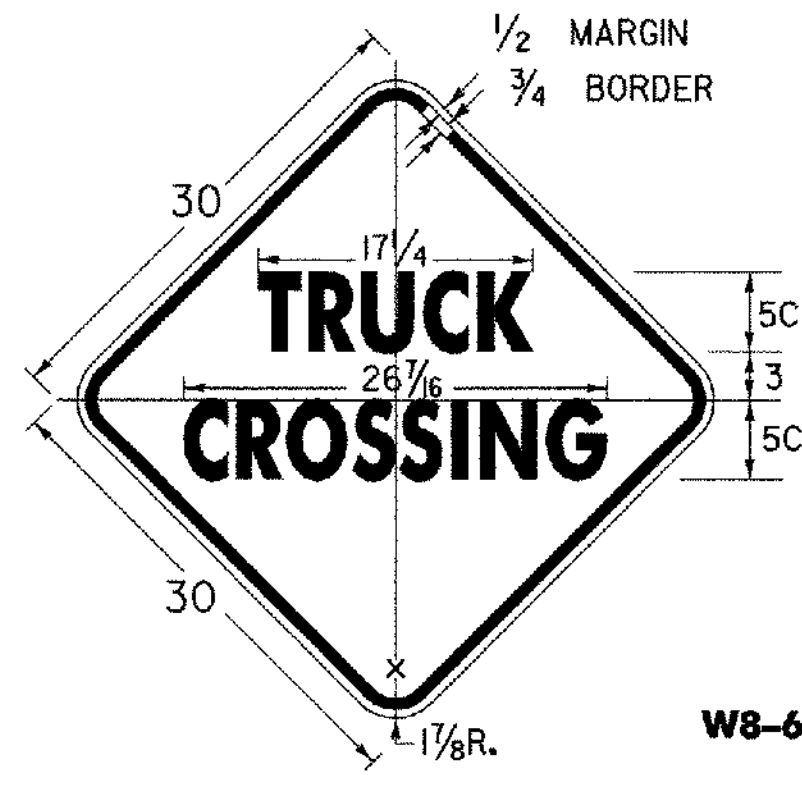
W4-2



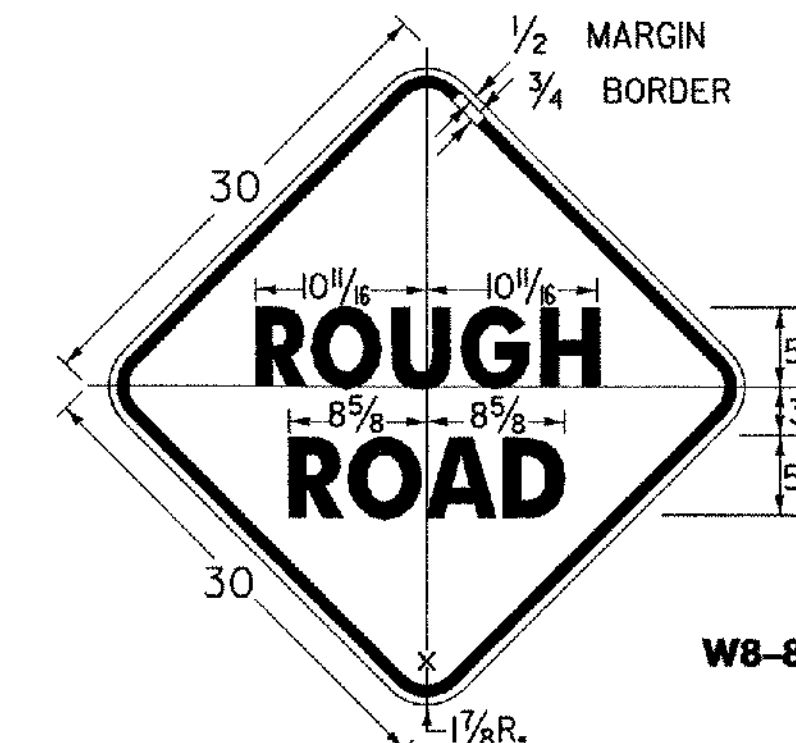
W8-1



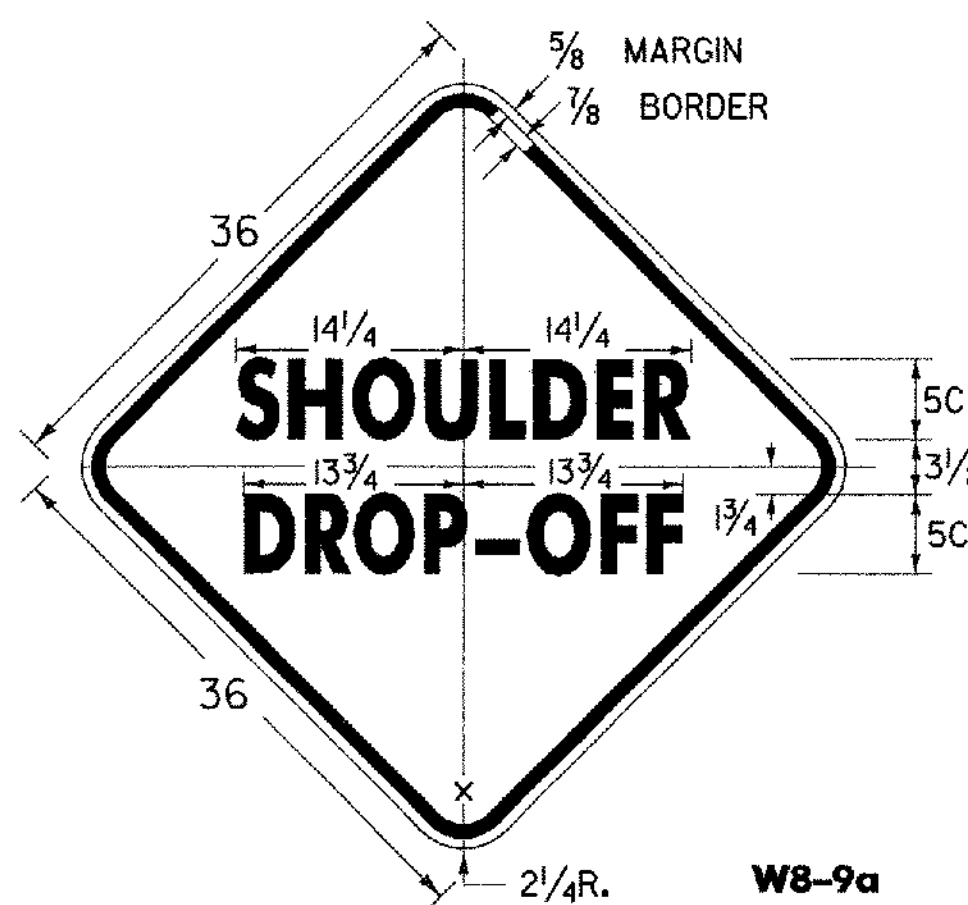
W8-3



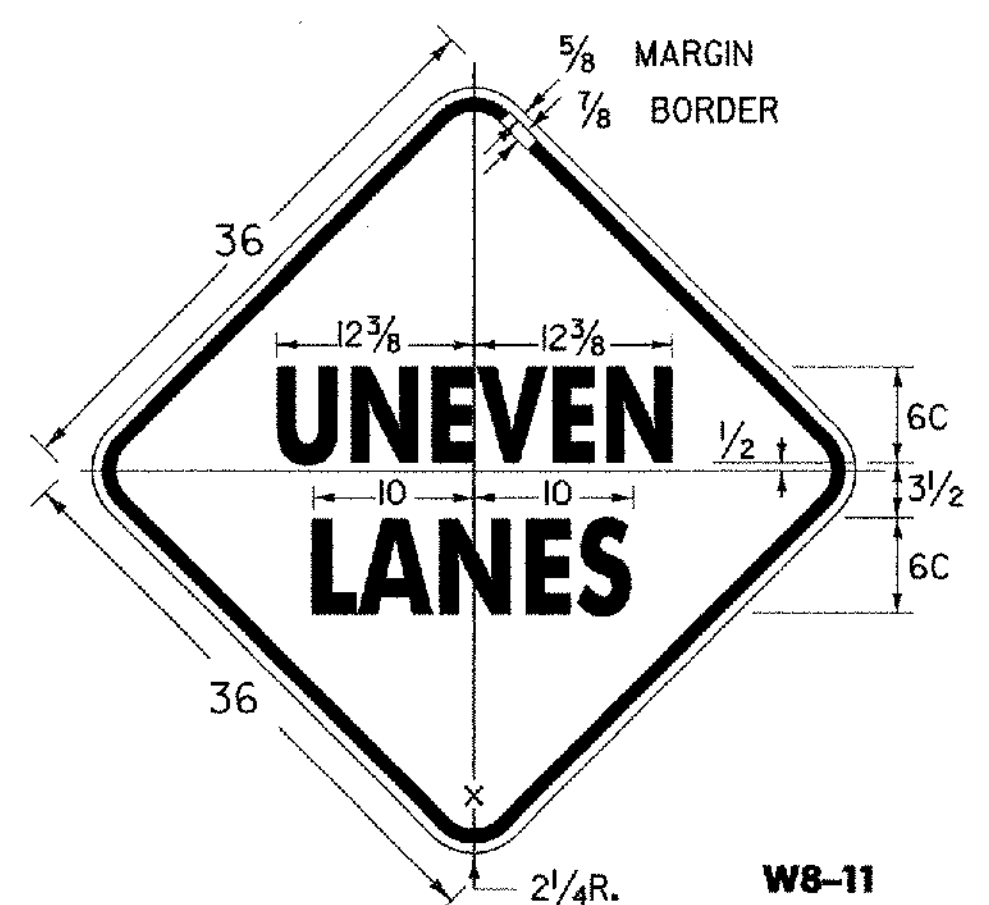
W8-6



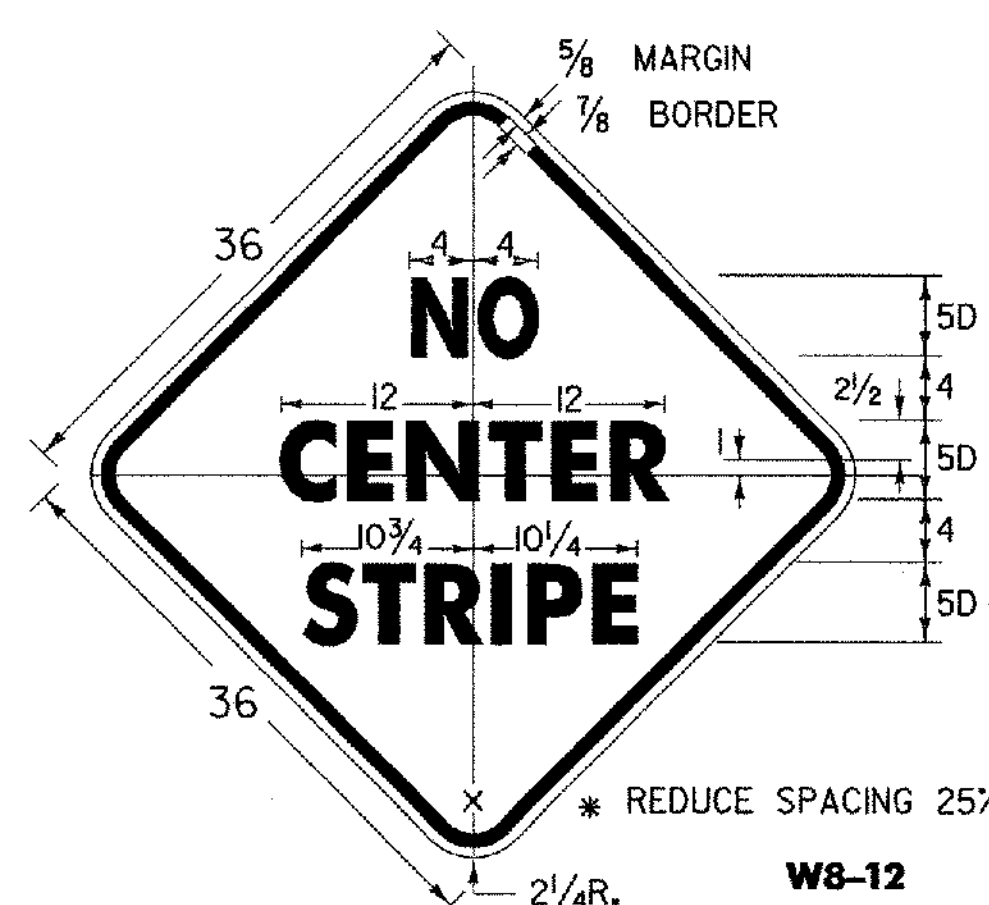
W8-8



W8-9a

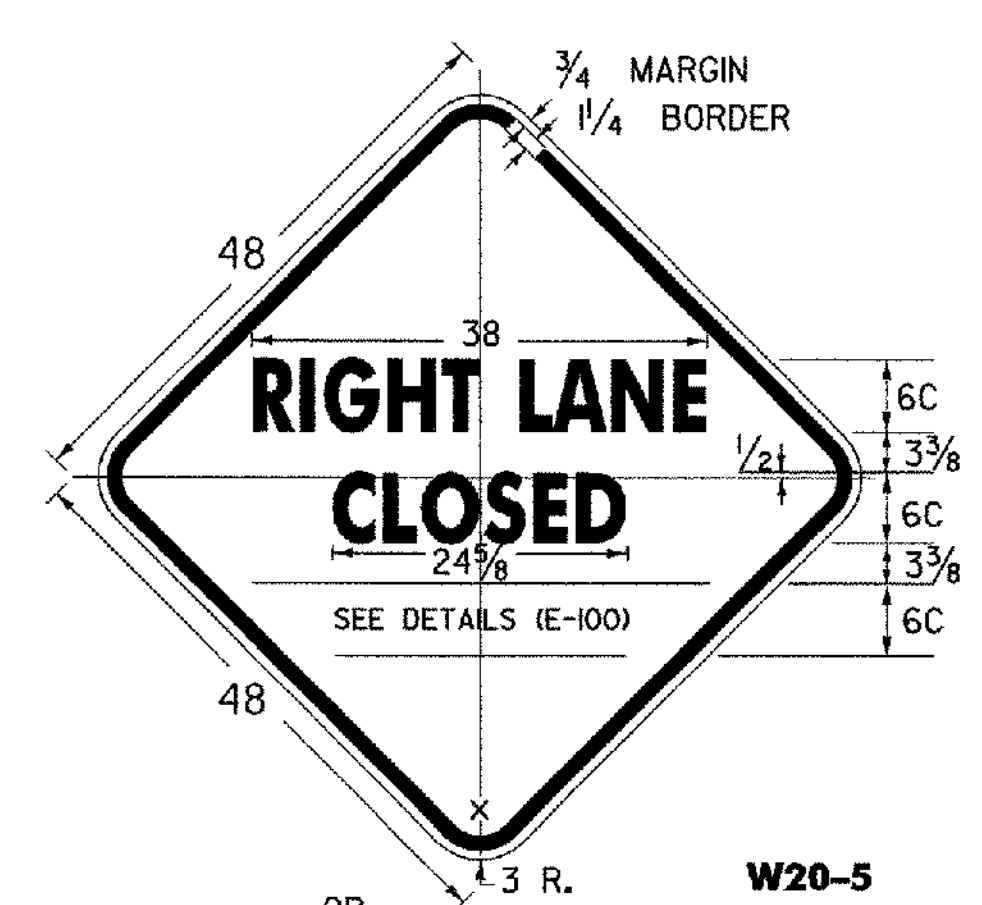


W8-11

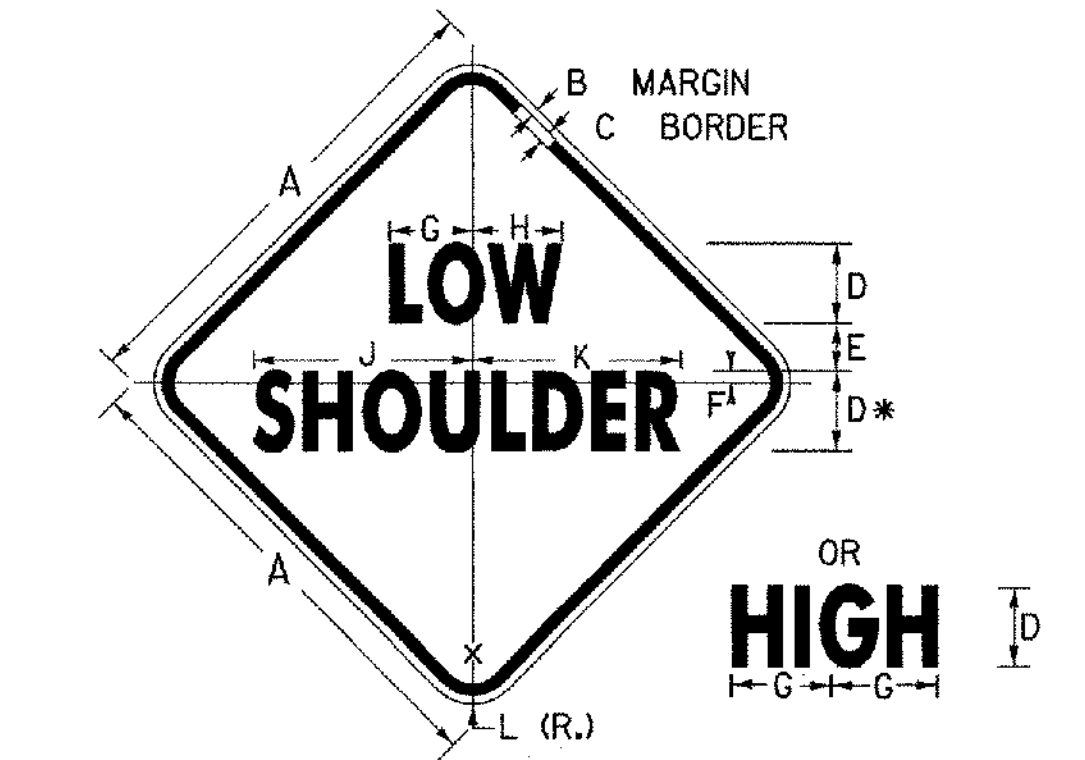


W8-12

\* REDUCE SPACING 25%



W20-5



W8-9

\* REDUCE SPACING 25%

SIGN	DIMENSIONS (INCHES)										
	A	B	C	D	E	F	G	H	J	K	L
STD.	30	1 1/2	3/4	5 C	3	3/4	5 3/8	5 3/8	13 1/8	13 1/8	1 1/8
FWY.	48	3/4	1 1/4	8 C	5	1 1/4	8 1/4	8 1/4	9	21 1/8	20 1/8

**NOTES**

SEE STANDARD SHEET E-100 FOR NOTES AND TEXT DETAILS  
 COLORS FOR SIGNS SHOWN ON THIS SHEET SHALL BE BLACK TEXT, BORDER AND SYMBOLS ON ASTM TYPE III OR TYPE VI RETROREFLECTORIZED ORANGE BACKGROUND, UNLESS OTHERWISE NOTED.

(ALL DIMENSIONS SHOWN IN INCHES)

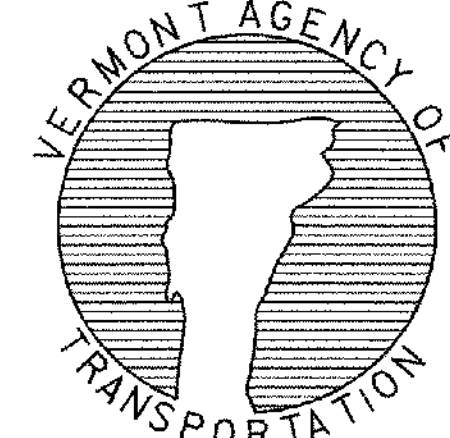
OR  
 3 3/8  
 34 7/8  
**LEFT LANE**

**OTHER STDS. E-100 REQUIRED:**

**REVISIONS AND CORRECTIONS**  
 OCT. 30, 1987 - DATE OF ORIGINAL ISSUE  
 OCT. 21, 1992 - ADDED ADDITIONAL SIGN DIMENSIONS, REVISED CHEVRON BACKGROUND TO ORANGE, & REVISED TITLE BLOCK  
 AUG. 08, 1995 - ADDED AND DELETED VARIOUS SIGN DETAILS  
 MAR., 10 1997 - REVISED SIGN DETAILS  
 MAY 30, 2003 - CHANGED REFLECTIVE SHEETING TO ASTM TYPE III OR TYPE VI

**APPROVED**  
*[Signature]*  
 DIRECTOR OF PROGRAM DEVELOPMENT  
*[Signature]*  
 TRAFFIC OPERATIONS ENGINEER  
*[Signature]*  
 FEDERAL HIGHWAY ADMINISTRATION

**CONSTRUCTION SIGN DETAILS**



**STANDARD E-101**