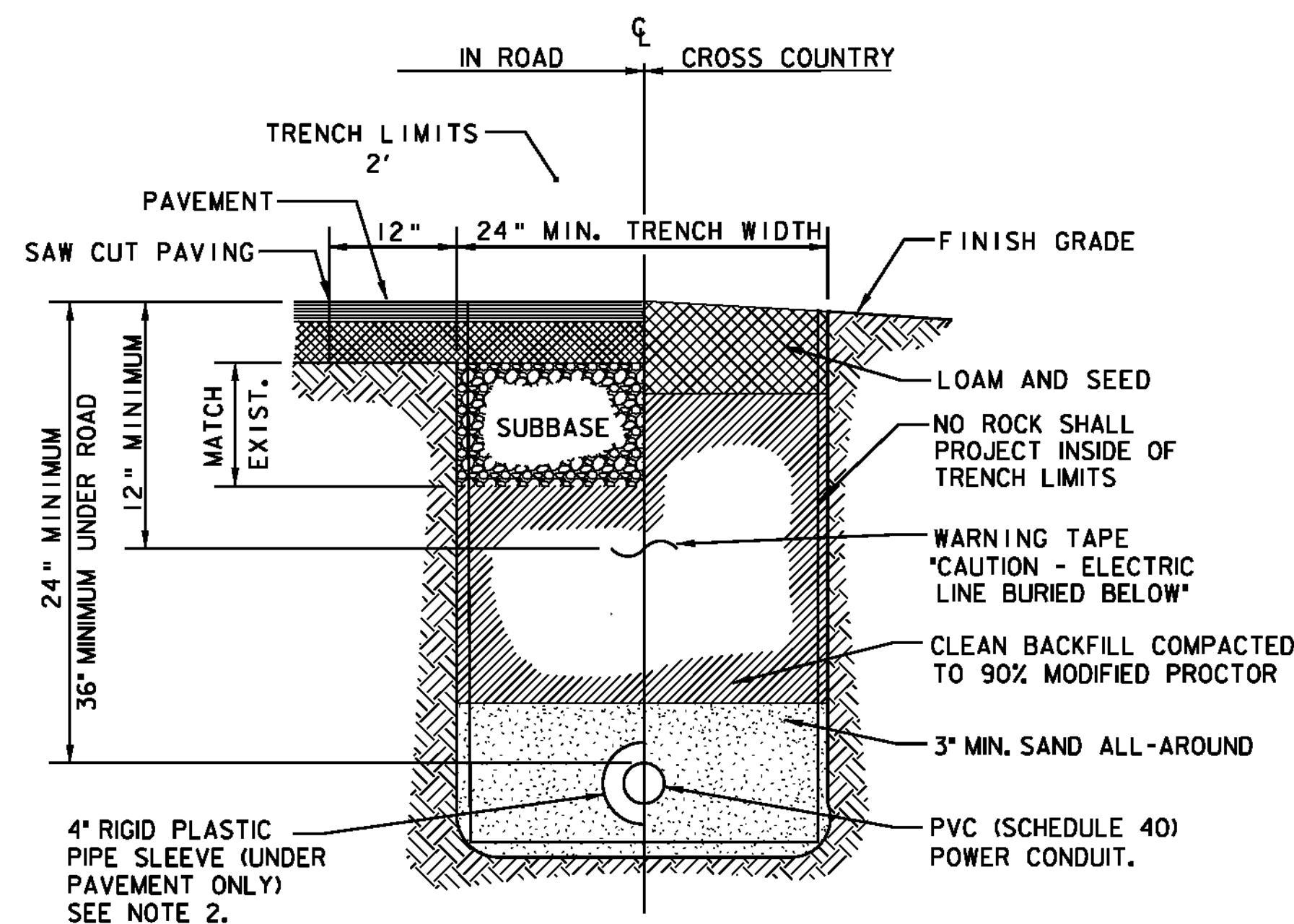


SITE LIGHT TYPES 'A' AND 'B'
NOT TO SCALE



TYPICAL TRENCH SECTION
NOT TO SCALE

TRENCH NOTES:

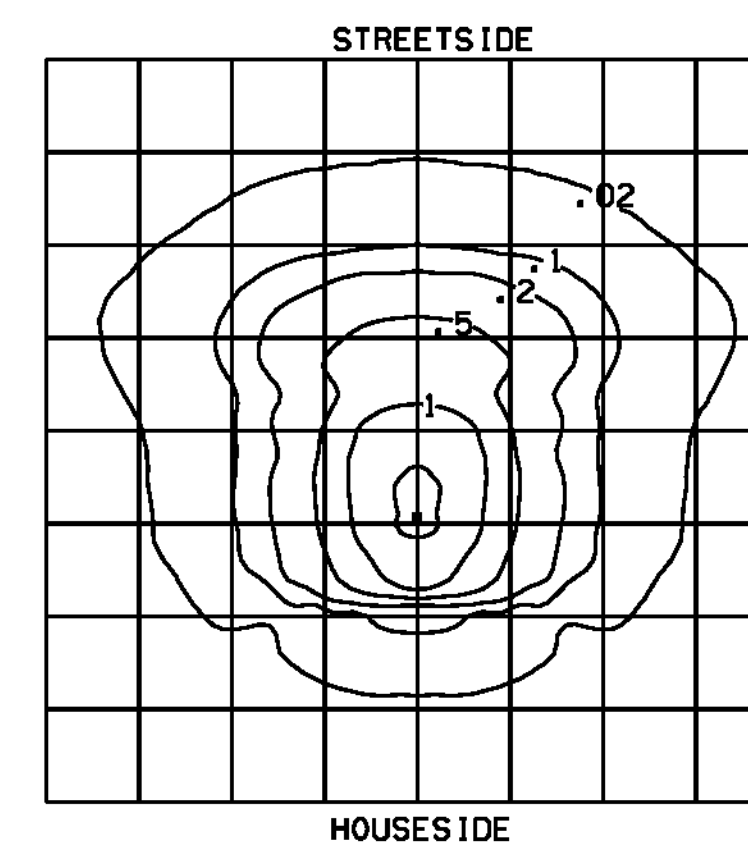
1. BOTTOM OF TRENCH SHALL BE UNDISTURBED ORIGINAL GROUND OR FIRMLY COMPACTED EARTH FREE FROM VOIDS, ROCK OR RUBBLE AND OF RELATIVELY SMOOTH ARCH, AND LINED WITH A MINIMUM OF 3" OF CLEAN SAND.
2. CONDUIT UNDER AREAS SUBJECT TO VEHICULAR TRAFFIC SHALL BE ENCASED IN RIGID PLASTIC PIPE SLEEVES. 4" ENCASEMENT AROUND PVC CONDUITS TO 4' BEYOND EDGE OF PAVEMENT, TYPICAL.
3. A 3" SPACING SHALL BE MAINTAINED BETWEEN ADJACENT CONDUITS.
4. PVC CONDUIT SHALL BE PRIMED AND GLUED TO FORM A WATERTIGHT SEAL.
5. ANY EXCAVATION REQUIRED FOR INSTALLATION OF CONDUIT AND SLEEVE SHALL BE PAID INCIDENTAL TO ITEM 678.23 WIRED CONDUIT.

LUMINAIRE:
LENS FINISH: CLEAR FLAT
GLASS
HOUSING: ALUMINUM

LAMP:
TYPE: 100W HIGH PRESSURE SODIUM
LUMENS: INITIAL 9500 MEAN LMS
CAT. NO.: ED-17 MED

ANSI/IES TYPE:
TYPE IV CUT-OFF OPTICS

LUMINAIRE: LITHONIA: KAD-100S-R4
LAMP: TYPE: 100W HPS (INITIAL 9500 MEAN LMS)
MOUNTING HEIGHT: 20' POLES ON CONCRETE
BASES = 22.5'



20' GRID DEPICTED

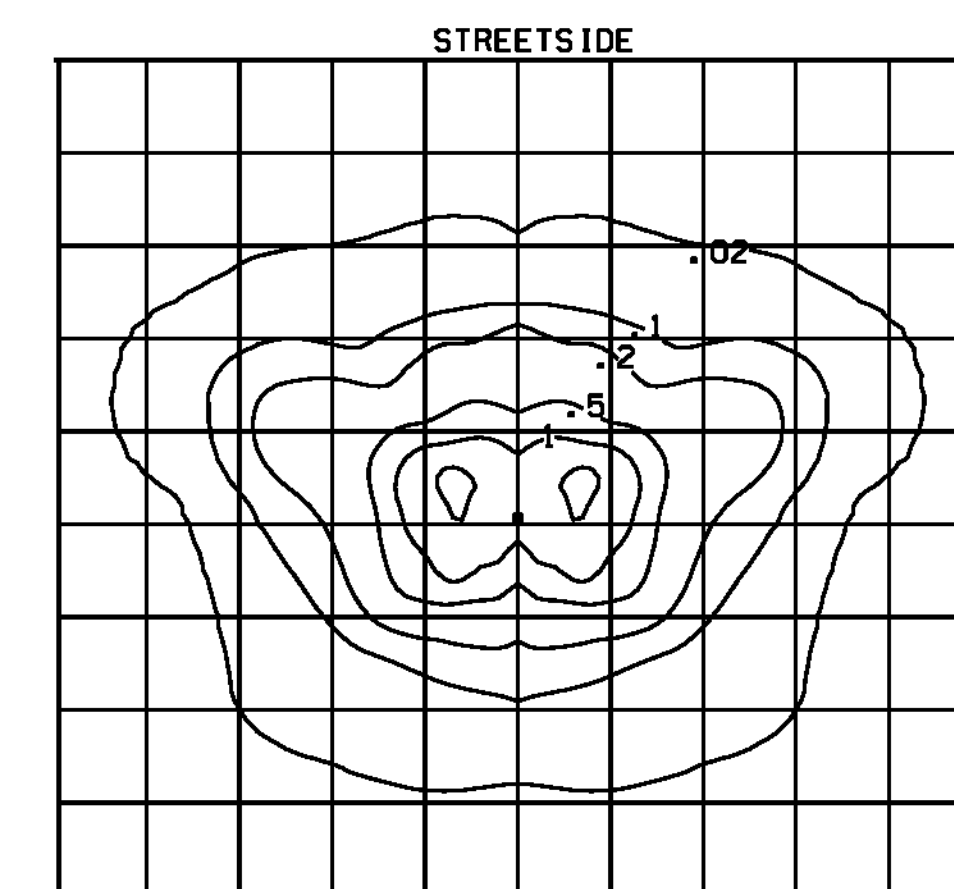
SITE LIGHT TYPE 'A'
ISO-FOOTCANDLE DATA
NO SCALE

LUMINAIRE:
LENS FINISH: CLEAR FLAT
GLASS
HOUSING: ALUMINUM

LAMP:
TYPE: HIGH PRESSURE SODIUM
LUMENS: INITIAL 9500 MEAN LMS
CAT. NO.: ED-17 MED

ANSI/IES TYPE:
TYPE III CUT-OFF OPTICS

LUMINAIRE: LITHONIA: KAD-100S-R3
LAMP: TYPE: 100W HPS (INITIAL 9500 MEAN LMS)
MOUNTING HEIGHT: 20' POLES ON CONCRETE
BASES = 22.5'



20' GRID DEPICTED

SITE LIGHT TYPE 'B'
ISO-FOOTCANDLE DATA
NO SCALE

CONDUIT SLEEVE	
2"	4"
3"	5"
4"	6"



PROJECT NAME: ENOSBURG
PROJECT NUMBER: CMG PARK(20)

FILE NAME: ...23lightingdetails2.pxf
PROJECT LEADER: WLD
DESIGNED BY: CSP/GGG
LIGHTING DETAILS 2

PLOT DATE: 5/23/2011
DRAWN BY: STANTEC
CHECKED BY: GAS
SHEET 23 OF 32