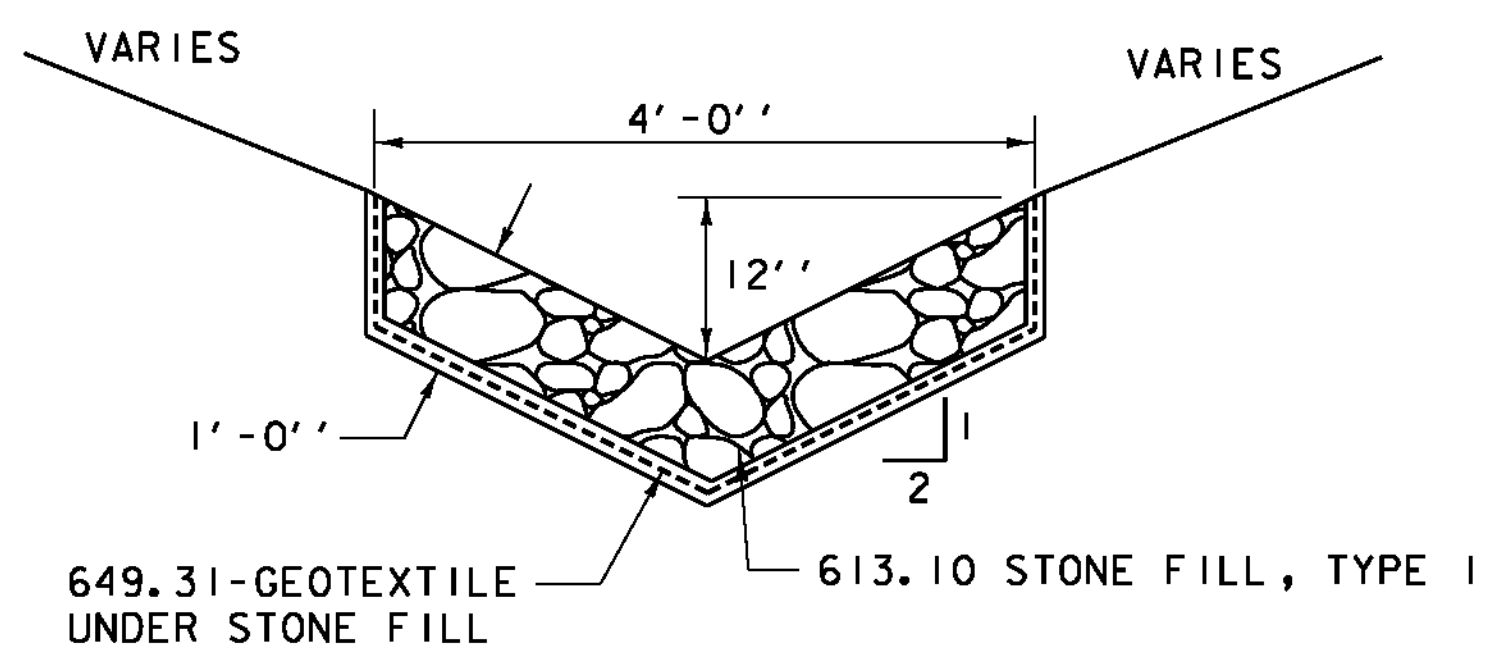


- NOTES:**
1. LEVEL SPREADER TO BE SEEDED IN ACCORDANCE WITH EPSC DETAIL 2, VAOT RURAL AREA MIX.
 2. CONSTRUCT THE LEVEL LIP OF SPREADER ON A ZERO PERCENT GRADE TO ENSURE UNIFORM SPREADING OF RUNOFF. LEVEL SPREADER SHALL BE CONSTRUCTED ON UNDISTURBED SOIL.
 3. AN EROSION STOP SHALL BE PLACED VERTICALLY A MINIMUM OF 1' DEEP IN A SLIT TRENCH 1' IN BACK OF THE LEVEL LIP AND PARALLEL TO THE LIP. THE EROSION STOP SHALL EXTEND THE ENTIRE LENGTH OF THE LEVEL LIP. THE ENTIRE LEVEL LIP AREA SHALL BE PROTECTED BY PLACING TWO STRIPS OF EROSION CONTROL MATTING, ITEM 653.21 - PERMANENT EROSION MATTING, ALONG THE LIP. EACH STRIP SHALL OVERLAP THE EROSION STOP BY AT LEAST 6".
 4. THE FLOW FROM THE SPREADER SHALL OUTLET ONTO A STABILIZED AREA. WATER SHOULD NOT RE-CONCENTRATE IMMEDIATELY BELOW THE SPREADER.
 5. ANY EXCAVATION REQUIRED FOR LEVEL SPREADER AND STONE LINED PILOT DITCH SHALL BE PAID AS ITEM 203.15 COMMON EXCAVATION.
 6. EROSION STOP PAID AS ITEM 653.21 PERMANENT EROSION MATTING.

NOTE: SEE GRADING PLAN FOR MORE INFORMATION
LEVEL SPREADER DETAILS
 NOT TO SCALE



STONE LINED PILOT CHANNEL
 NOT TO SCALE



PROJECT NAME:	ENOSBURG
PROJECT NUMBER:	CMG PARK(20)
FILE NAME: ... \PlotFiles\03stnwmgt_det.ptf	PLOT DATE: 5/23/2011
PROJECT LEADER: WLD	DRAWN BY: STANTEC
DESIGNED BY: CSP/GGG	CHECKED BY: GAS
STORMWATER MANAGEMENT DETAILS	
SHEET 3 OF 32	