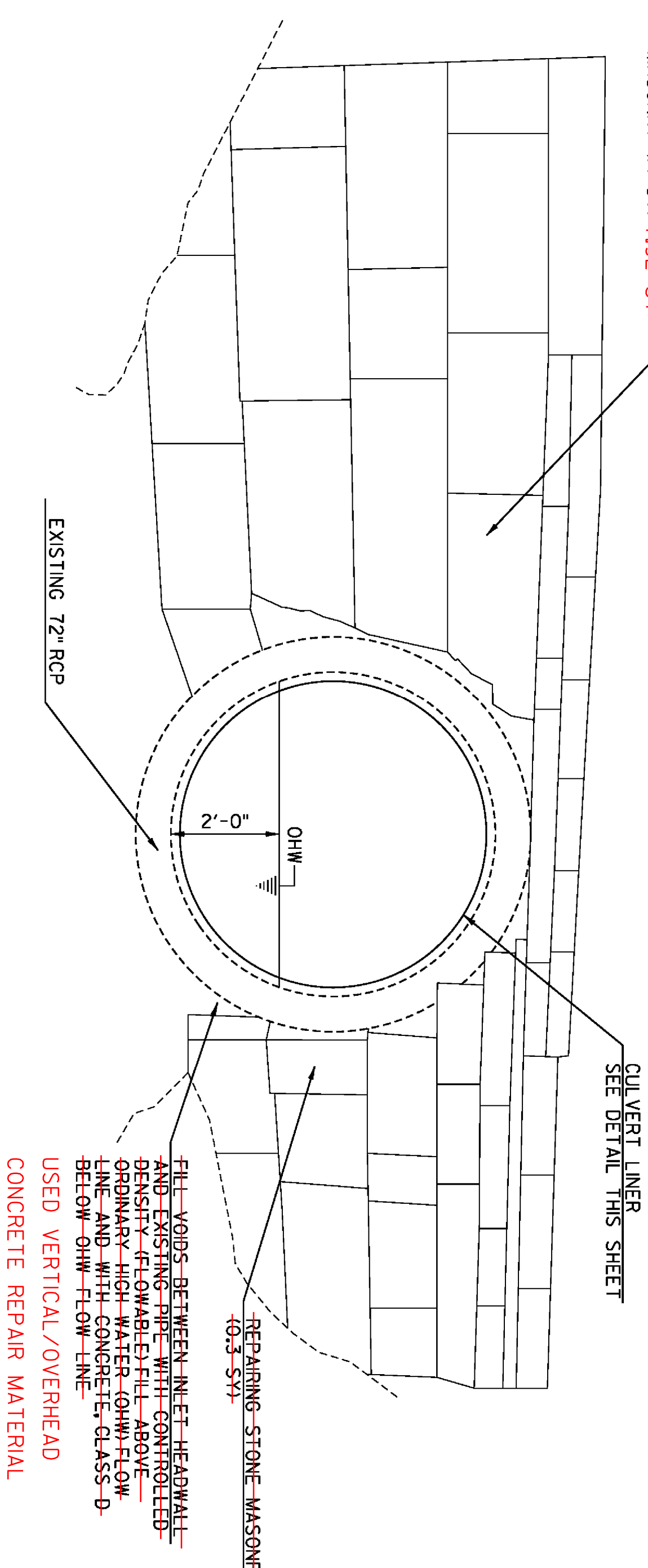
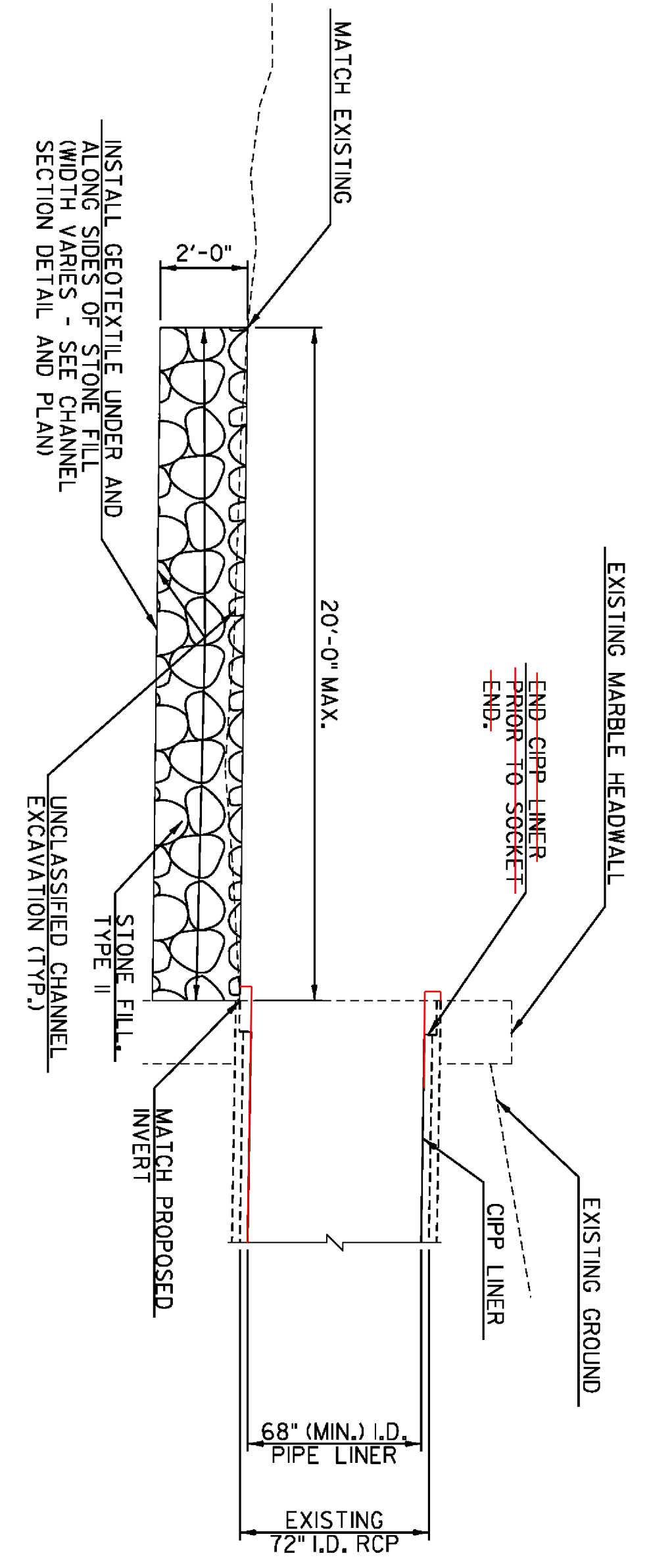


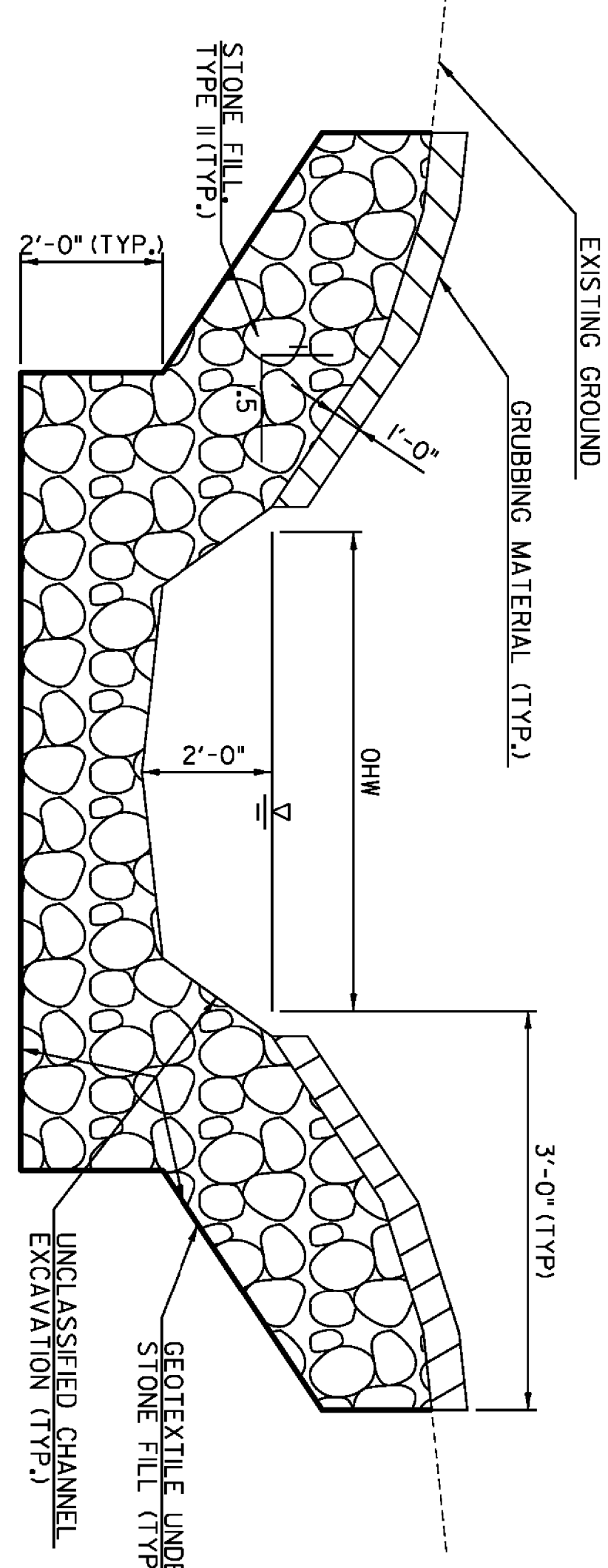
REPOINT EXISTING MARBLE HEADWALL - REPOINTING MASONRY (44-SY) (7.92 SY)



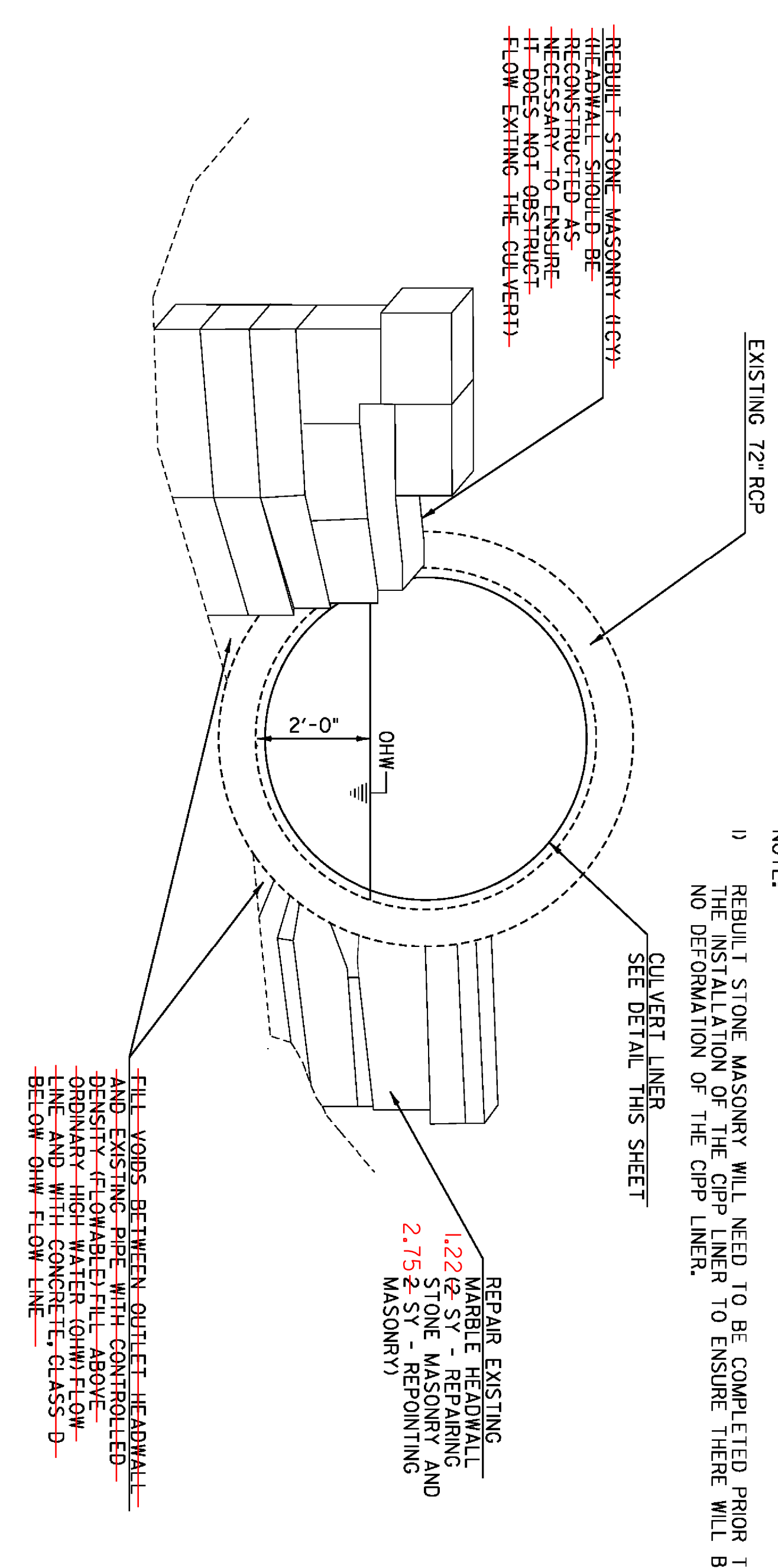
INLET REPAIR DETAIL
NOT TO SCALE



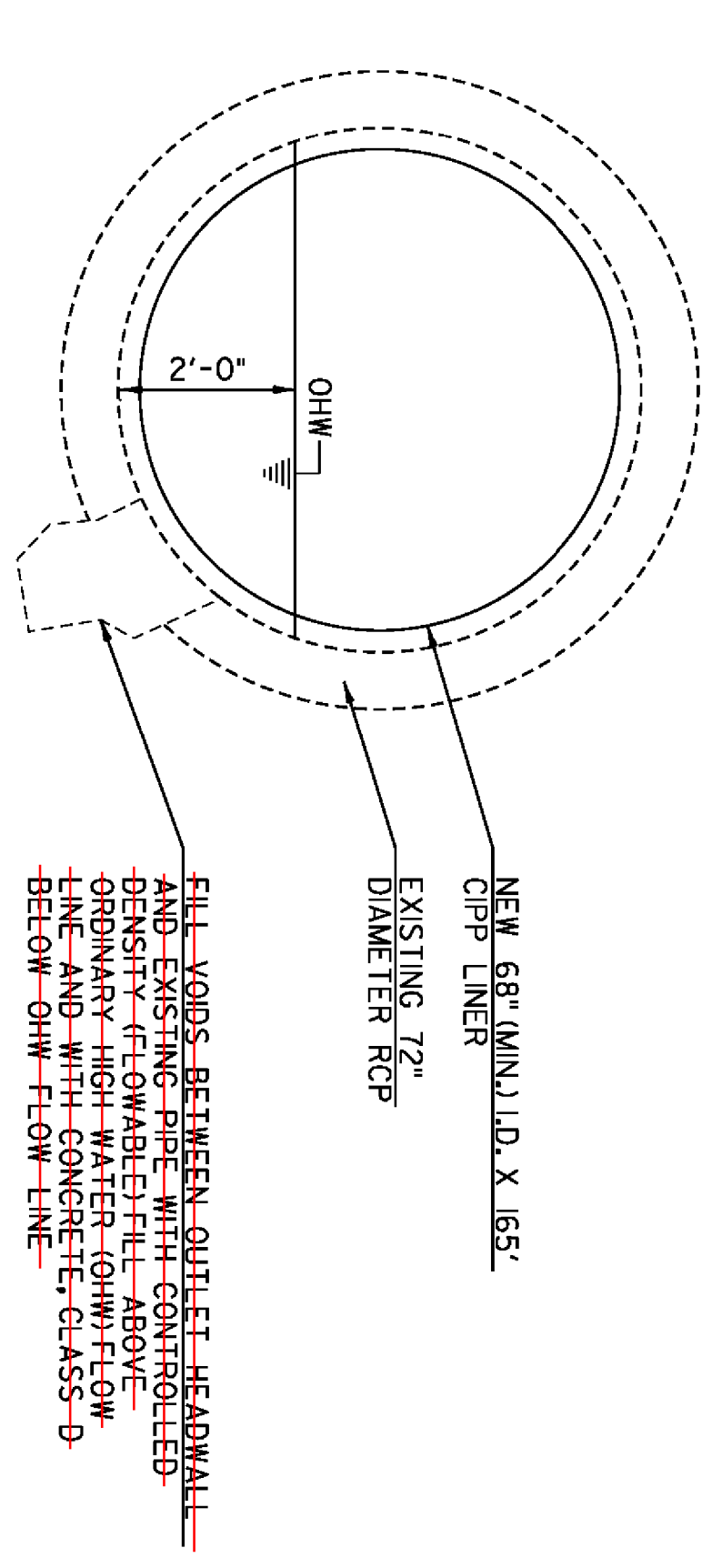
INLET SECTION
NOT TO SCALE



INLET CHANNEL SECTION
NOT TO SCALE

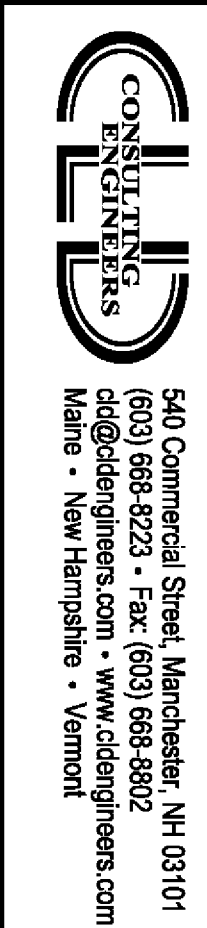


OUTLET REPAIR DETAIL
NOT TO SCALE



CULVERT LINING DETAIL
NOT TO SCALE

NOTE:
1) REBUILD STONE MASONRY WILL NEED TO BE COMPLETED PRIOR TO THE INSTALLATION OF THE CIPP LINER TO ENSURE THERE WILL BE NO DEFORMATION OF THE CIPP LINER.



PROJECT NAME: WEATHERSFIELD
PROJECT NUMBER: STP 0146(II)
FILE NAME: z00c268-det.dgn
PROJECT LEADER: J. FITCH
DESIGNED BY: K. RUTTER
TYPICAL SECTIONS AND DETAILS
PLOT DATE: 4/22/2013
DRAWN BY: K. RUTTER
CHECKED BY: C. GREGORY
SHEET 3 OF 14

540 Commercial Street, Manchester, NH 03101
(603) 668-8223 • Fax: (603) 668-8902
cd@cdengineers.com • www.cdengineers.com
Maine • New Hampshire • Vermont