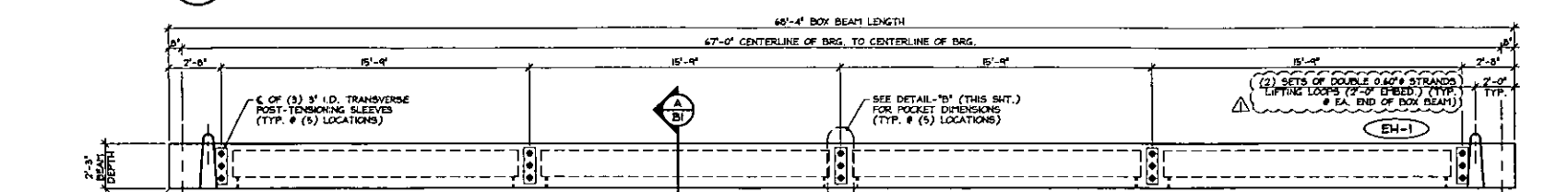
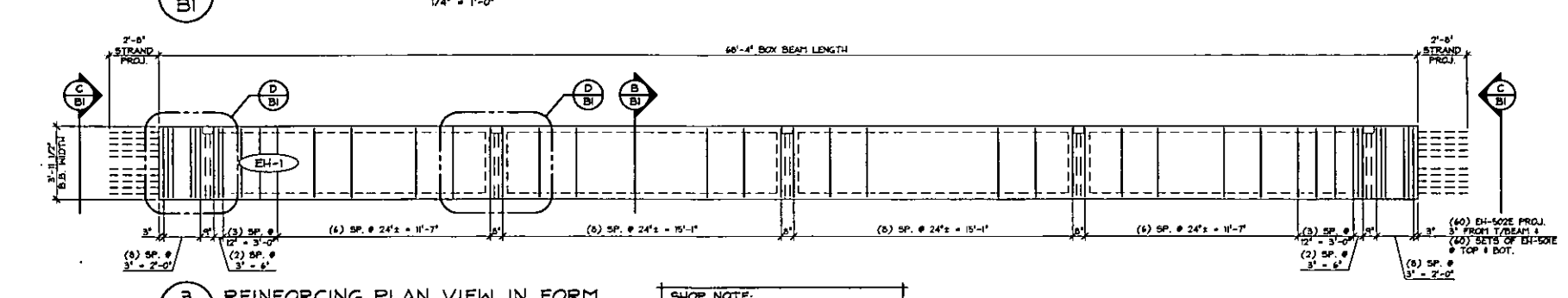


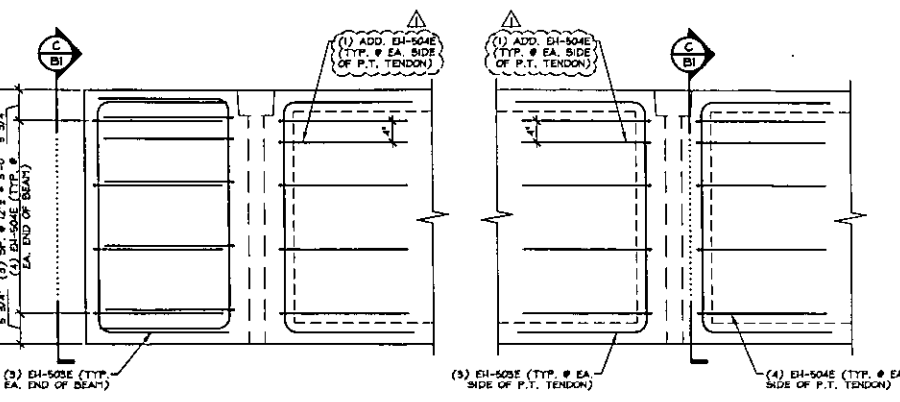
1 DIMENSIONAL PLAN VIEW IN FORM



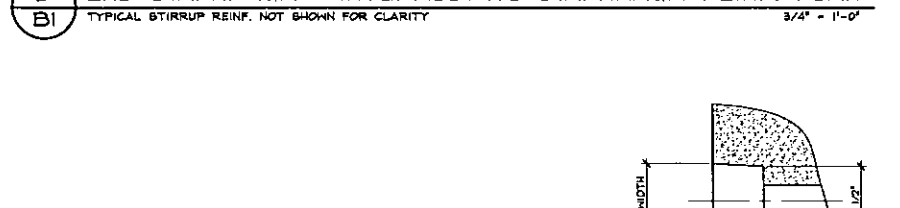
2 DIMENSIONAL ELEVATION



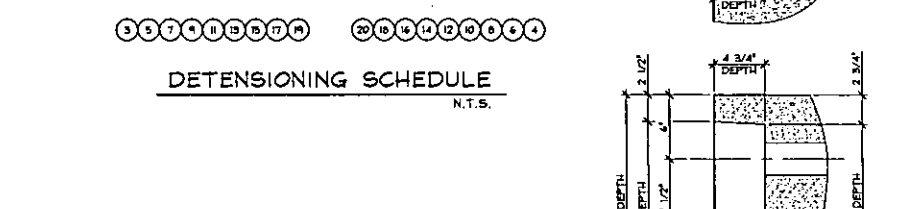
3 REINFORCING PLAN VIEW IN FORM



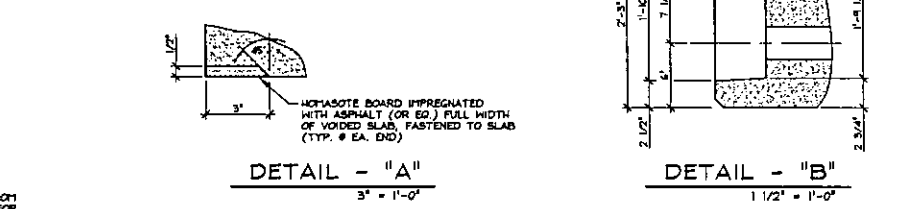
4 END DIAPHRAGM & INTERMEDIATE DIAPHRAGM REINF. PLAN



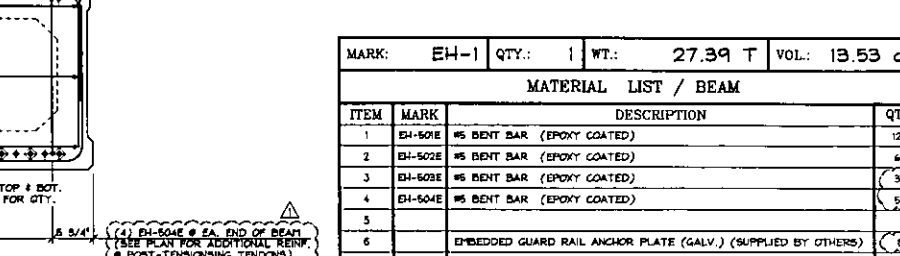
5 DETAIL - 'A'



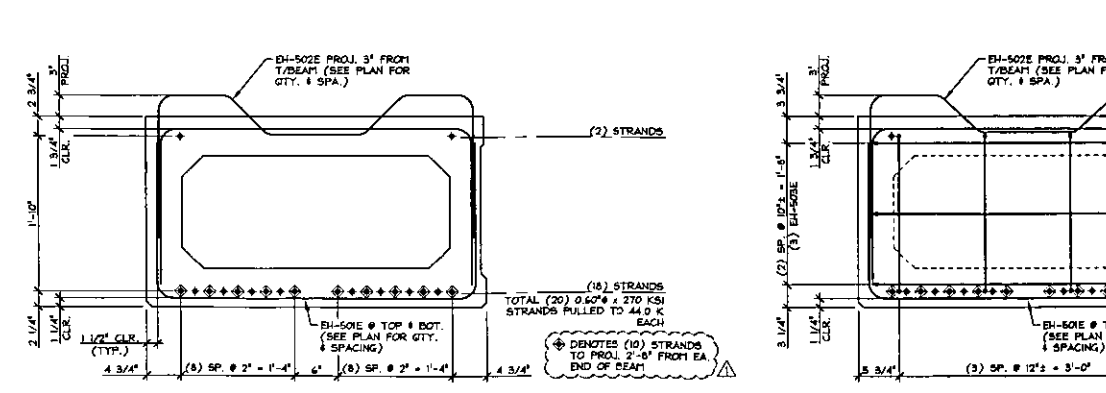
6 DETAIL - 'B'



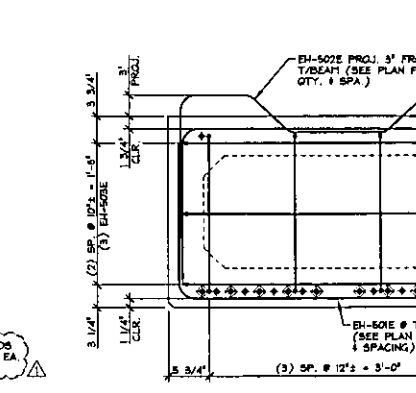
7 DETAIL - 'C'



8 DIMENSIONAL SECTION



9 REINFORCING SECTION



10 REINFORCING SECTION

11 REINFORCING SECTION

DETERMINING SCHEDULE

ITEM	MARK	DESCRIPTION	QTY
1	1	PRESTRESSED CONCRETE BOX BEAM	1
2	2	REINFORCING BARS	1
3	3	STIRRUPS	1
4	4	ANCHOR PLATE	1
5	5	WELDED WIRE MESH	1
6	6	FORMWORK	1
7	7	CASTING CURB	1
8	8	CASTING CURB	1
9	9	CASTING CURB	1
10	10	CASTING CURB	1
11	11	CASTING CURB	1
12	12	CASTING CURB	1

Vermont Agency of Transportation RECEIVED CK'D BY: JAD OK'D BY: JTS 10:19 am, Mar 05, 2012 RESUBMIT BY: KMH APPROVED BY: ATE		STATE OF VERMONT AGENCY OF TRANSPORTATION	DRAWN: S. LORNE CHECKED: APPROVED:	J.P. CARRARA & SONS INC. 100-1000 Double-Tree 100-1000 Concord, VT	PROJECT NAME: TOWN OF EAST HAVEN, VT STATE ROUTE 114 - MAJOR COLLECTOR BRIDGE NO. 18 PROJECT NO. BRF 024(1) PRESTRESSED BOX BEAM DETAILS	SCALE: JOB # NOTED: 2004-01 DATE: 1-20-11 SHEET # B1
--	--	--	--	---	---	---