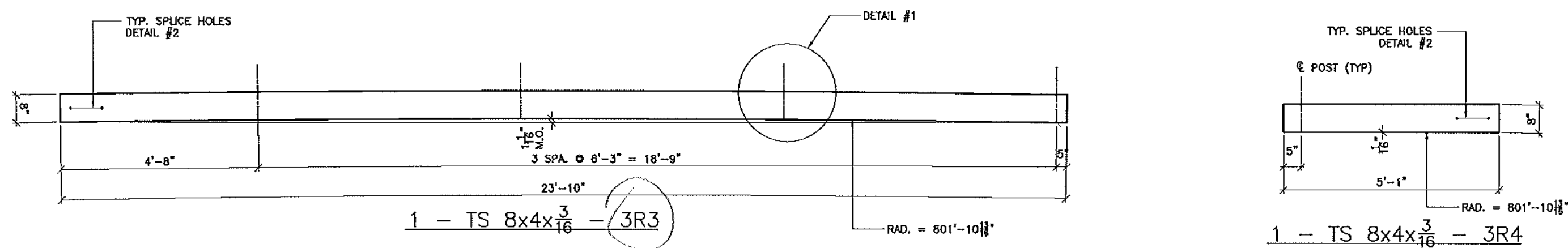
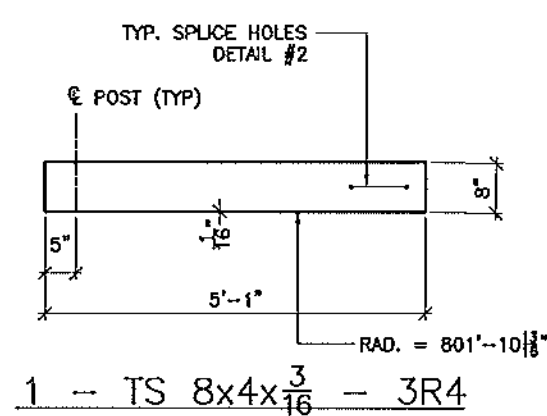


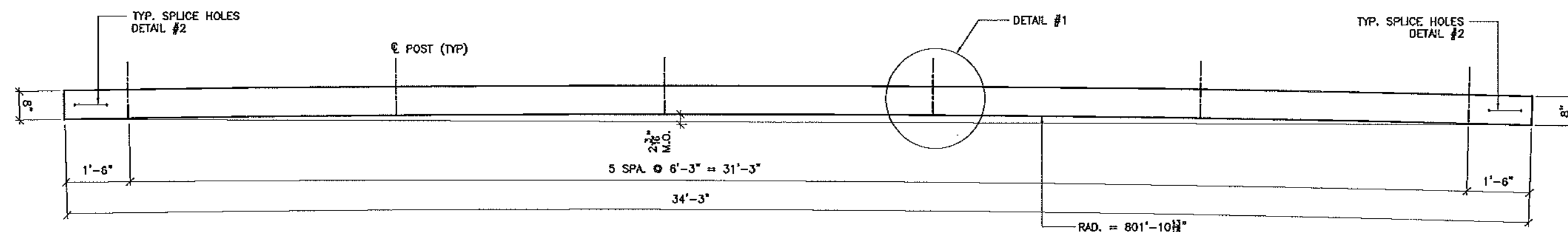
2 - TS 8x4x³/₁₆ - 3R2



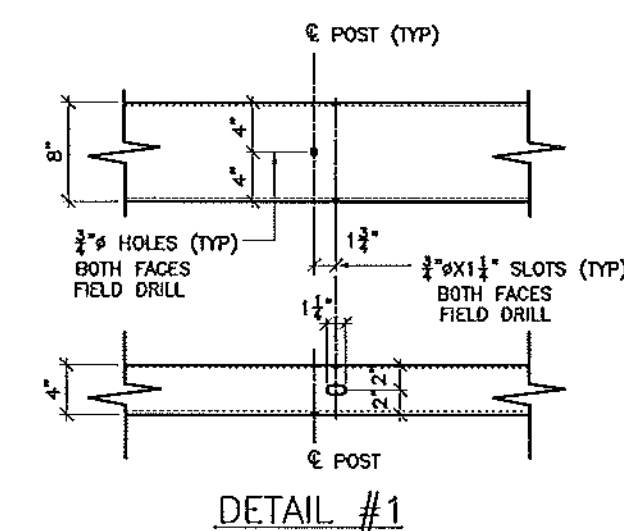
1 - TS 8x4x³/₁₆ - 3R3



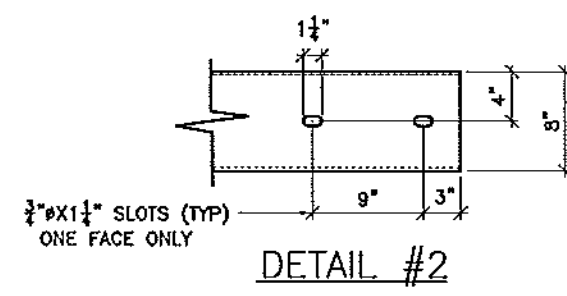
1 - TS 8x4x³/₁₆ - 3R4



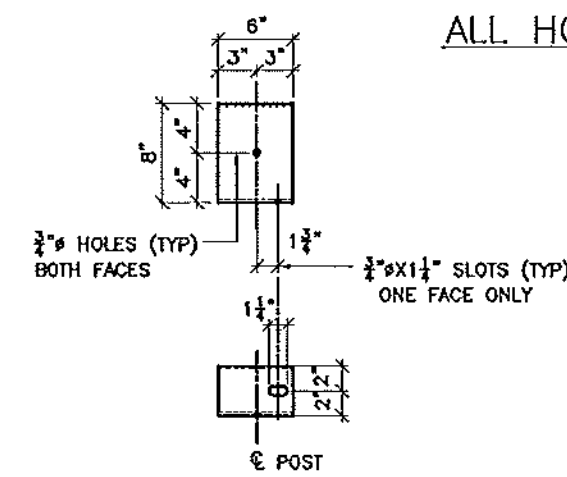
1 - TS 8x4x³/₁₆ - 3R1



DETAIL #1



DETAIL #2



92 REQ'D. TS8X4X³/₁₆. MARK "T1"

ALL HOLES FOR POSTS ARE FIELD DRILLED

BILL OF MATERIAL

SNIP	SNIP MARK	NO. PCS.	PIECE MARK	DESCRIPTION	LENGTH	REMARKS	WT
1	3R1			TS 8x4x ³ / ₁₆	34'-3"	A500 GR.B	488
2	3R2			TS 8x4x ³ / ₁₆	37'-5"	A500 GR.B	1089
1	3R3			TS 8x4x ³ / ₁₆	23'-10"	A500 GR.B	345
1	3R4			TS 8x4x ³ / ₁₆	5'-1"	A500 GR.B	73
1	4R1			TS 8x4x ³ / ₁₆	37'-8"	A500 GR.B	544
2	4R2			TS 8x4x ³ / ₁₆	37'-5"	A500 GR.B	1089
1	4R3			TS 8x4x ³ / ₁₆	24'-11"	A500 GR.B	363
1	4R4			TS 8x4x ³ / ₁₆	5'-1"	A500 GR.B	73
92	T1			TS 8x4x ³ / ₁₆	0'-6"	A500 GR.B	688

TUBE: ASTM A500 GR. B
GALVANIZE AFTER FABRICATION PER AASHTO M111

Vermont Agency of Transportation
RECEIVED
OK'D BY J.GML OK'D BY JTS

3:46 pm, Mar 26, 2012

RESUBMIT APPROVED X
BY KMH DATE 3/28/2012

QUANTITY	DESCRIPTION	WASHERS	FINISH
		FLAT	RAW, AASHTO M250
		BEV.	

FINISH	HOT DIPPED GALVANIZED	DATE	PER APPROVAL	BY
AS NOTED <td></td> <td>3/23/12</td> <td></td> <td>JAC</td>		3/23/12		JAC

DATE	DESCRIPTION	BY

	ADVANCED RESOURCES & CONST. ENTERPRISES, INCORPORATED P.O. BOX 120 WINDFORD, ME 04947 PHONE: (207) 255-2848 - FAX: (207) 255-4054
DRAFTER: JAC DATE: 2/8/12 CHECKED: MTD JOB: 11-175	BRIDGE RAIL DETAILS VERMONT AGENCY OF TRANSPORTATION TOWN OF SPRINGFIELD, 11 # CLASS IN LOCAL ROAD T. BUCK CONSTRUCTION, INC.
	PROJECT NO.: BR0 1442(24) DWG. NO.: R3