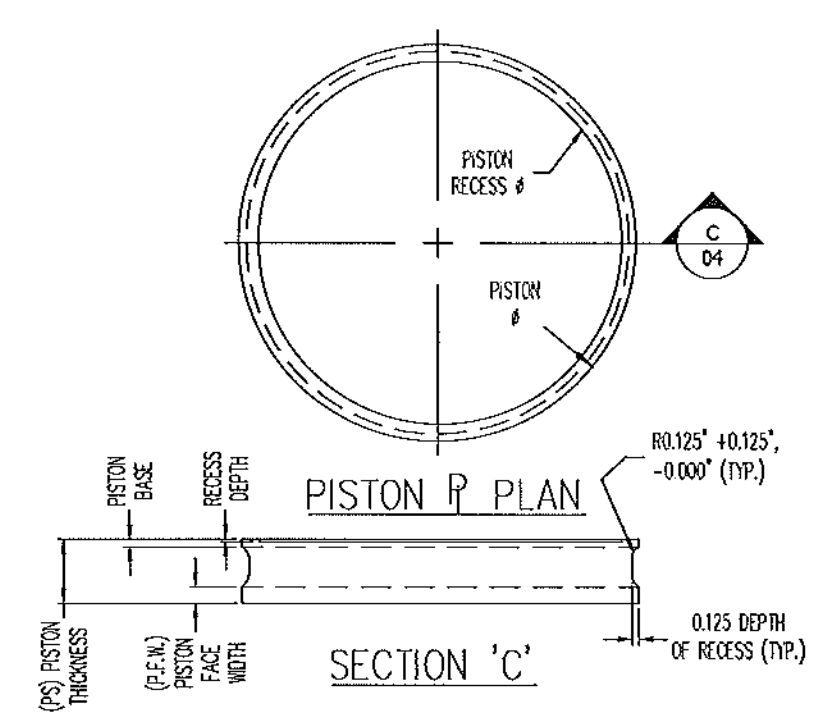
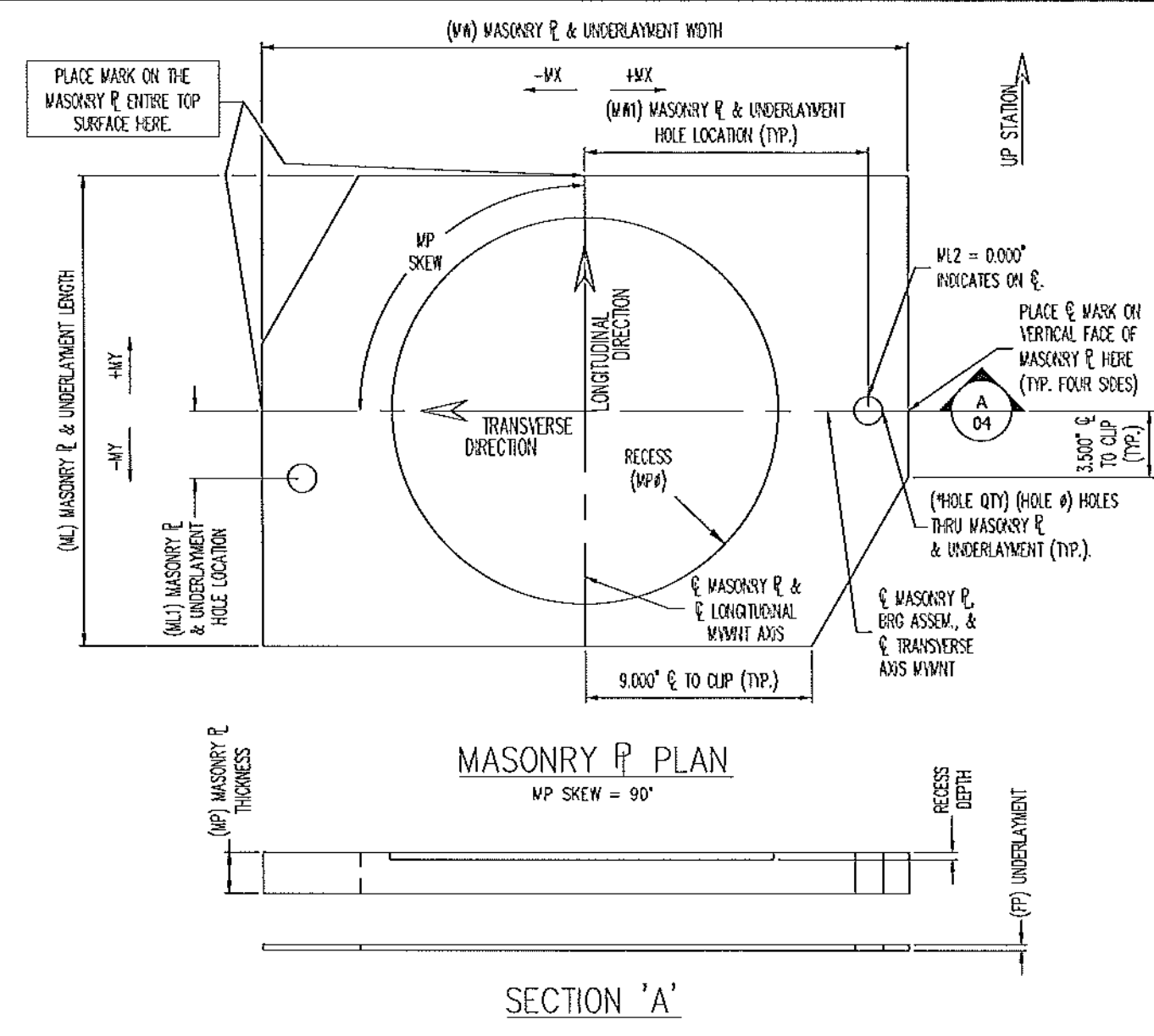
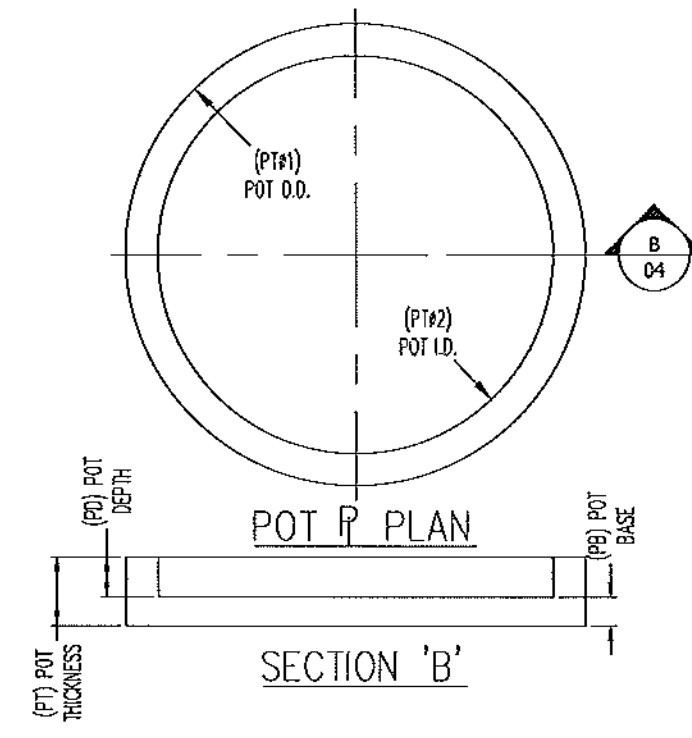


ASSEMBLY 03



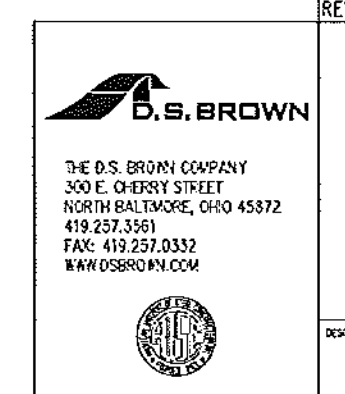
ASSEM	PIECE	QTY	PS	PISTON #	PISTON BASE	RECESS DEPTH	PISTON RECESS #	PISTON MATERIAL
3A	3P1	2	0.900	7.400	0.225	0.188	0.094	7.250

ASSEM	PIECE	QTY	MP	M#	M1	M2	M3	M4	M5	M6	M7	M8	M9	M10	M11	M12	M13	M14	M15	M16	M17	M18	M19	M20	M21	M22	M23	M24	M25	M26	M27	M28	M29	M30	M31	M32	M33	M34	M35	M36	M37	M38	M39	M40	M41	M42	M43	M44	M45	M46	M47	M48	M49	M50	M51	M52	M53	M54	M55	M56	M57	M58	M59	M60	M61	M62	M63	M64	M65	M66	M67	M68	M69	M70	M71	M72	M73	M74	M75	M76	M77	M78	M79	M80	M81	M82	M83	M84	M85	M86	M87	M88	M89	M90	M91	M92	M93	M94	M95	M96	M97	M98	M99	M100
3A	3P1	2	1.500	23.000	18.000	12.250	2.000	0.600	9.063	0.250	2	1.875	+9.00	+0.000	+0.000	3/4 (3/4)	0.125	ANSI10 (ASTM) 18.10.2	AR30 GR 50 or 50W																																																																																					



ASSEM	PIECE	QTY	PT #1	PT #2	PT #3	PT #4	PT #5	PT #6	PT #7	PT #8	PT #9	PT #10	PT #11	PT #12	PT #13	PT #14	PT #15	PT #16	PT #17	PT #18	PT #19	PT #20	PT #21	PT #22	PT #23	PT #24	PT #25	PT #26	PT #27	PT #28	PT #29	PT #30	PT #31	PT #32	PT #33	PT #34	PT #35	PT #36	PT #37	PT #38	PT #39	PT #40	PT #41	PT #42	PT #43	PT #44	PT #45	PT #46	PT #47	PT #48	PT #49	PT #50	PT #51	PT #52	PT #53	PT #54	PT #55	PT #56	PT #57	PT #58	PT #59	PT #60	PT #61	PT #62	PT #63	PT #64	PT #65	PT #66	PT #67	PT #68	PT #69	PT #70	PT #71	PT #72	PT #73	PT #74	PT #75	PT #76	PT #77	PT #78	PT #79	PT #80	PT #81	PT #82	PT #83	PT #84	PT #85	PT #86	PT #87	PT #88	PT #89	PT #90	PT #91	PT #92	PT #93	PT #94	PT #95	PT #96	PT #97	PT #98	PT #99	PT #100
3A	3P1	2	1.175	9.000	7.500	0.688	1.888	AR30 GR 50 or 50W																																																																																														

Vermont Agency of Transportation
RECEIVED
 CK'D BY GML OK'D BY JEL
 8:53 am, Mar 29, 2012
 RESUBMIT APPROVED X
 BY KMH DATE 3/29/2012



* PER PLATE
 SEE SHE. 03 FOR ASSEMBLY INFORMATION & DETAILS.
 SEE SHE. 05 FOR SUB-ASSEMBLY DETAILS.
 ALL DIMENSIONS IN INCHES UNLESS OTHERWISE NOTED.

REV.	DESCRIPTION	DATE	DET.	CHKD.
1	LOCATION --- TOWN HIGHWAY 6 BRIDGE NO. 57			
2	BRIDGE --- 57			
3	PROJECT NO. --- BRD 1442(26)			
4	PROJECT NAME --- SPRINGFIELD			
5	DESIGNER --- VDOT			
6	CUSTOMER --- T. BUCK CONSTRUCTION, INC.			

DATE	REV.	DESCRIPTION	DATE	REV.	DESCRIPTION
3/29/12	1	ISSUED FOR PRODUCTION			

PROJECT NO.	PROJECT NAME	PROJECT LOCATION	PROJECT DATE	PROJECT SHEET
35029	FM MULTI-DIRECTIONAL HMR SUB-ASSEMBLY DETAIL	WINDSOR CO., VT	1/28/12	04