

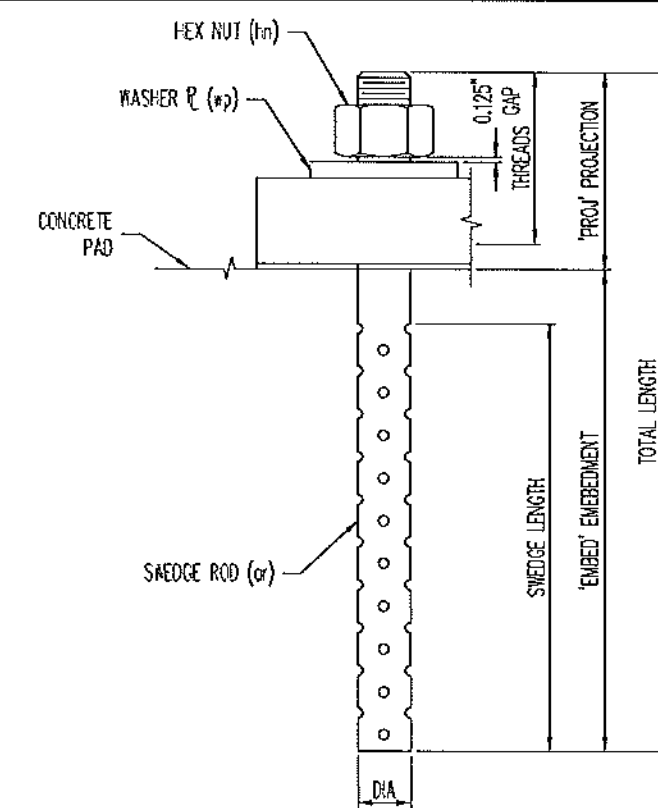
WK	QTY	DESCRIPTION
3A	2	FN-150
3p1	2	SOLE PLATE
3p11	2	STAINLESS STEEL
3p11	2	PIPE DISC
3p11	2	PISTON
3p11	2	FOOT PLATE
3e11	2	ELASTOMERIC DISC
3e1	6	BRASS RING
3p11	2	MASONRY PLATE
3FA	2	UNDERLAMENT (FS)
3D	4	SMOKE ROD (FS)
3C	4	HEAVY HEX NUT (FS)
3D	4	WASHER PLATE (FS)

HLMR BEARING ASSEMBLY LOCATION & LSTD DESIGN INFORMATION (FW)															
WK	QTY	STRUCTURE	BEARING TYPE	LOCATION	MAX VERT. SERVICE	MAX VERT. STRENGTH	MAX HORIZ. SERVICE	MAX HORIZ. STRENGTH	LONG WIND	TRANS WIND	ROTATION (RAD)	HEIGHT TO FACE OF ANCHOR	HEIGHT IN PLANS	DIFFERENCE IN PLANS	UNDERLAMENT IN HEIGHT (Y/N)
3A	2	Bridge No. 57	FN-150	ABUTMENT 1: 01, 04	150.0 kips	225.0 kips	15.0 kips	15.0 kips	2.000	1.000	0.05	5.239	9.000	-3.761	YES

ELASTOMERIC DISC SCHEDULE (FW)				
ASSEM	PIECE	QTY	ELASTOMERIC DISC DIMENSIONS	ELASTOMER MATERIAL
3A	3e11	2	0.750 X 7.500	Nacopren, 50#/5 Dura Cr.3

BRASS RING SCHEDULE (FW)				
ASSEM	PIECE	QTY	BRASS RING DIMENSIONS	BRASS MATERIAL
3A	3e1	6	0.031 X 0.375 X 7.500	B36 Hst-Hrd

PIPE DISC SCHEDULE (FW)				
ASSEM	PIECE	QTY	PIPE DIMENSIONS	PIPE DISC MATERIAL
3A	3p11	2	0.188 X 7.250	Pure Virgin Unfilled

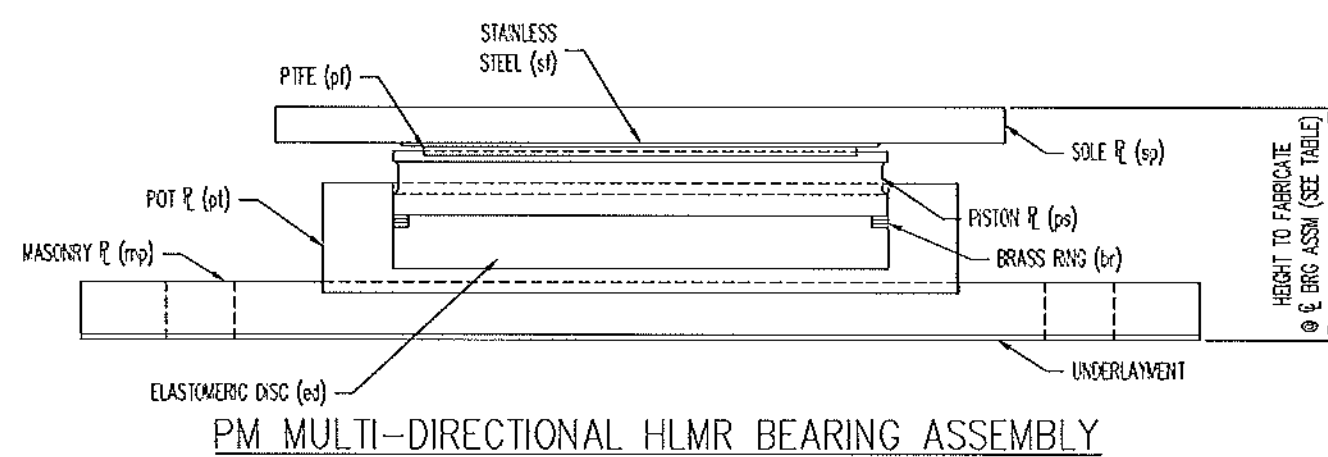


ANCHOR ASSEMBLY DETAIL

ANCHOR ROD SCHEDULE (FW)											
ASSEM	FOR	PIECE	QTY	DA	LENGTH	PROJ.	EMBED.	REMARKS	LOCATION	MATERIAL	COATING
3B	3A	3a1	2	1.500	20.000	5.000	15.000	4" Thread, 11" embed	ABUTMENT 1: 04	F1554 GR 36	A153-HDD
3B	3A	3a1	2	1.500	20.000	5.000	15.000	4" Thread, 11" embed	ABUTMENT 1: 04	F1554 GR 36	A153-HDD

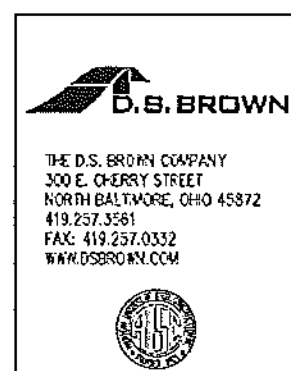
NUT SCHEDULE (FW)						
ASSEM	FOR	PIECE	QTY	DA	MATERIAL	COATING
3C	3A	3c1	4	1.500	A563-0H or A194-2H	A153-FOS, Dry Lube & Dye

WASHER SCHEDULE (FW)									
ASSEM	FOR	PIECE	QTY	THICKNESS	WIDTH	LENGTH	REMARKS	MATERIAL	COATING
3D	3A	3d1	4	0.125	3.000	3.000	#1627 HOLE Ø CR	A36	A123-FOS



PM MULTI-DIRECTIONAL HLMR BEARING ASSEMBLY

Vermont Agency of Transportation
RECEIVED
 CK'D BY GML OK'D BY JEL
 8:53 am, Mar 29, 2012
 RESUBMIT _____ APPROVED X
 BY KMH DATE 3/29/2012



* 3/ = SHIPPED LOOSE
 SEE SHI. 04 & 05 FOR SUB-ASSEMBLY DETAILS.
 SEE SHI. 041 FOR GENERAL NOTES & COATING LIMITS.
 ALL DIMENSIONS IN INCHES UNLESS OTHERWISE NOTED

REV.	DESCRIPTION	DATE	DESIGNER	CHECKED

LOCATION	ITEM	QUANTITY
LOCATION — TOWN HIGHWAY 6 BRIDGE NO. 57	35029-1112-1	2 OF 2
BRIDGE — 57		
PROJECT NO. — BR0 1442(26)		
PROJECT NAME — SPRINGFIELD		
DESIGNER — VTDOT		
CUSTOMER — T. BUCK CONSTRUCTION, INC.		

SCALE	DATE	PROJECT NO.	REV.	DATE
AS SHOWN	1/28/12	35029	1	03