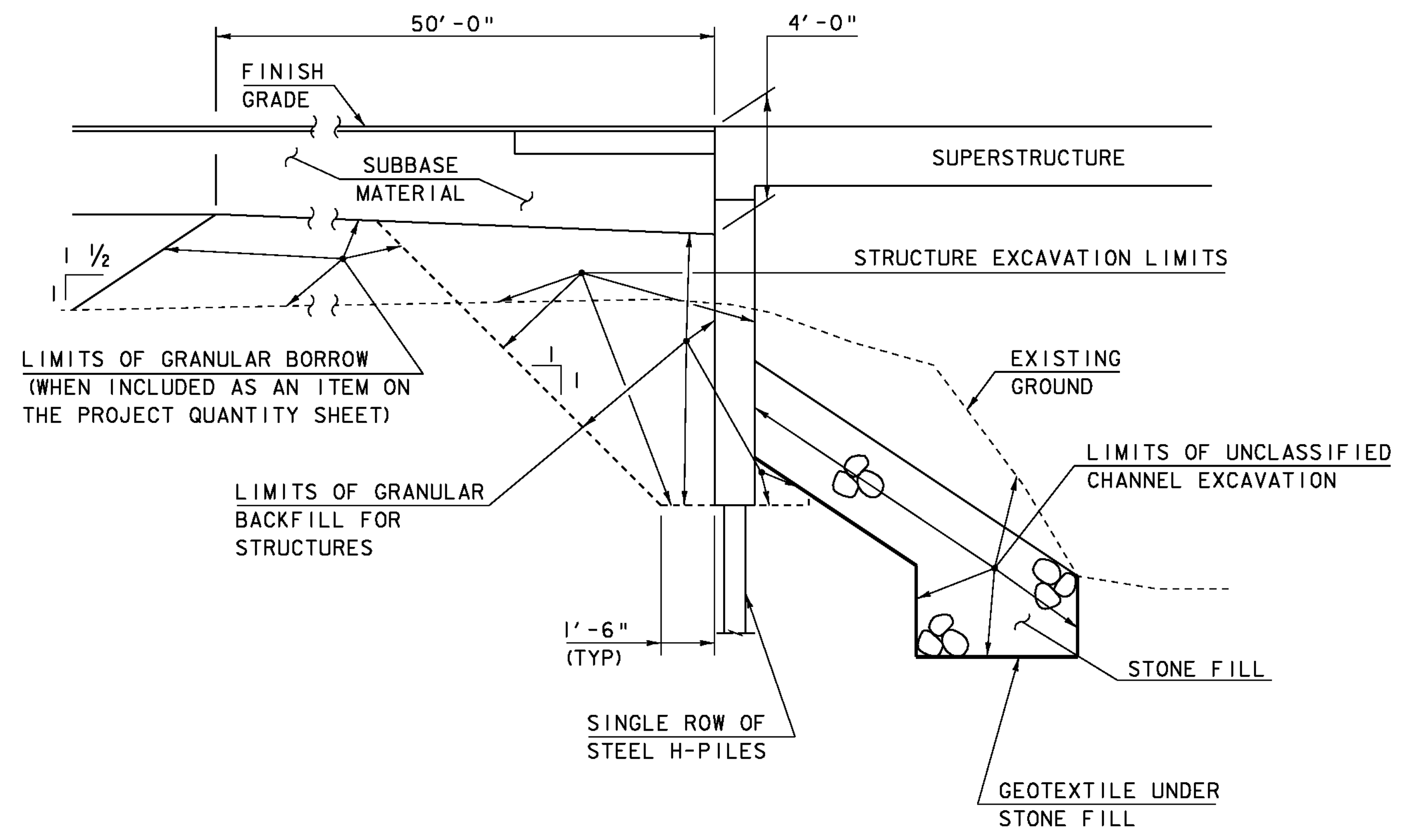
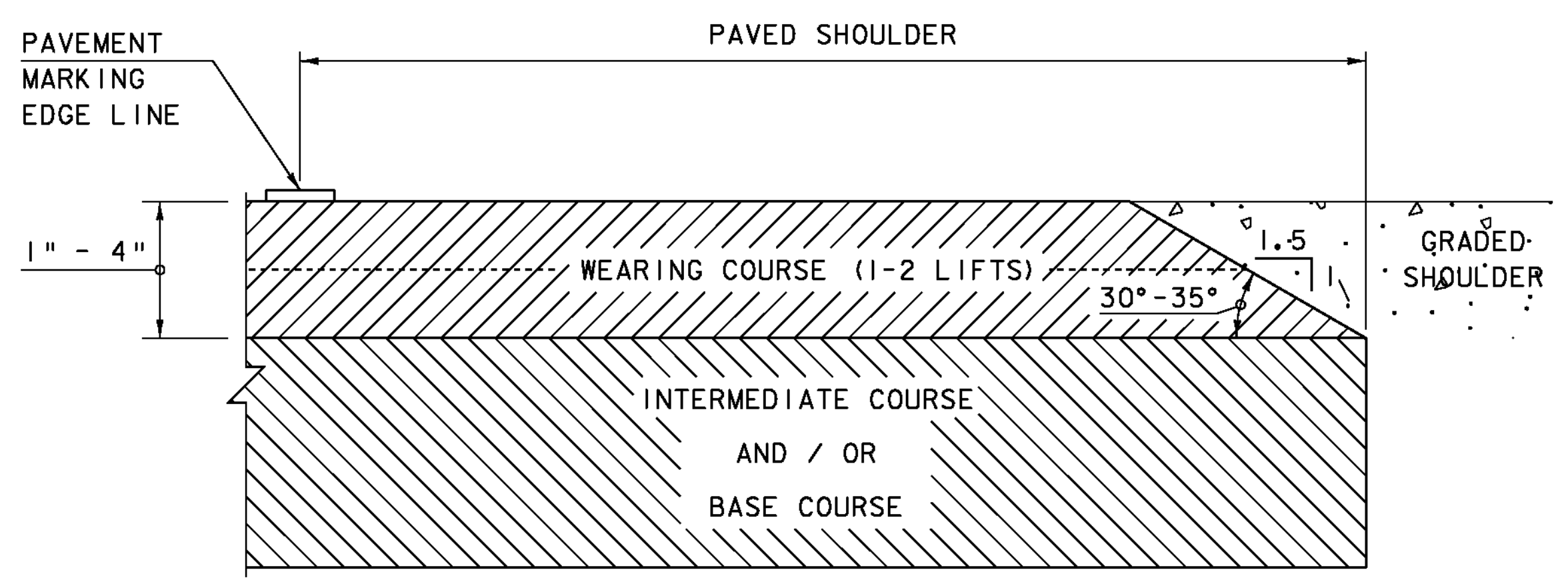


*GRUBBING MATERIAL SHALL NOT BE PLACED ON THE STONE FILL IN THE AREA UNDER THE BRIDGE. WHENEVER CHANNEL SLOPE INTERSECTS ROADWAY SUBBASE, GRUBBING MATERIAL SHALL BEGIN AT THE BOTTOM OF SUBBASE.



ACTUAL LIMITS OF STRUCTURE EXCAVATION SHALL BE DETERMINED BY THE CONTRACTOR. HOWEVER, ONLY THE EXCAVATION BETWEEN THE LIMITS SHOWN WILL BE PAID FOR UNDER THE ITEM 204.25 "STRUCTURE EXCAVATION". EXCAVATION BY THE CONTRACTOR OUTSIDE OF THESE LIMITS WILL BE AT THE EXPENSE OF THE CONTRACTOR.



NOTE: LEVELING COURSE MAY INCLUDE THE "SAFETY EDGE" AT THE CONTRACTOR'S CHOICE.

PROJECT NAME:	EAST HAVEN
PROJECT NUMBER:	BRF 0269(II)
FILE NAME:	s00cl62+yp.dgn
PROJECT LEADER:	K. HIGGINS
DESIGNED BY:	J. LACROIX
TYPICAL SECTIONS #2	
PLOT DATE:	08-AUG-2011
DRAWN BY:	R. PELLETT
CHECKED BY:	J. LACROIX
SHEET	7 OF 40