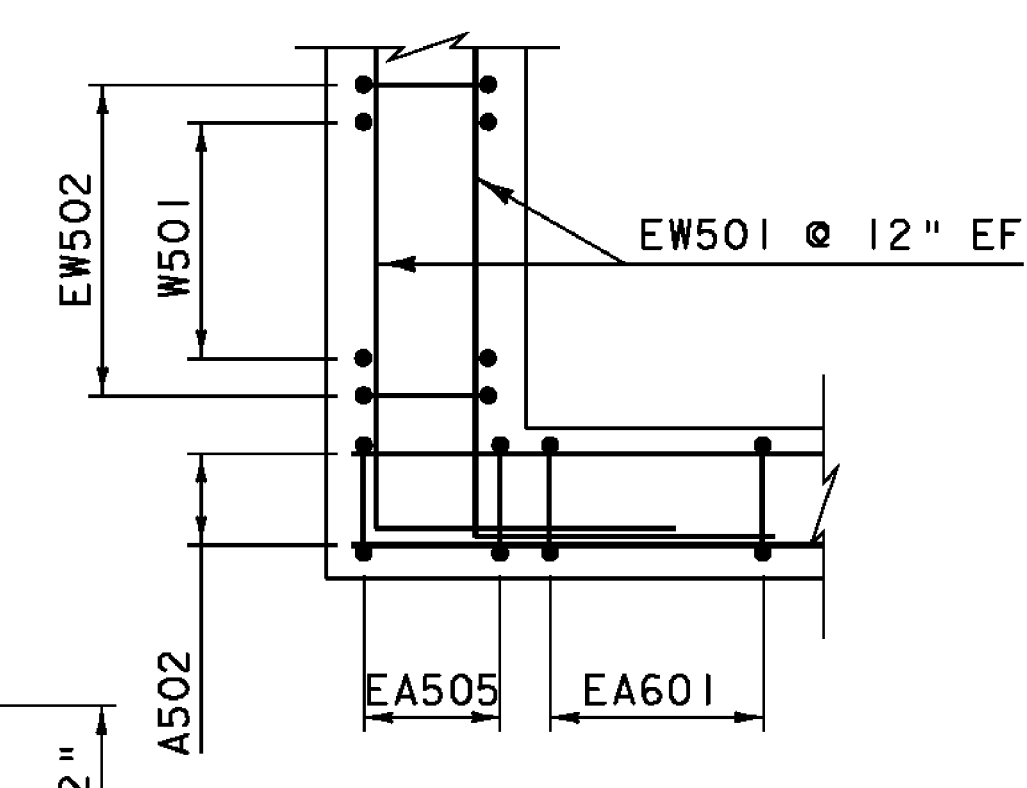
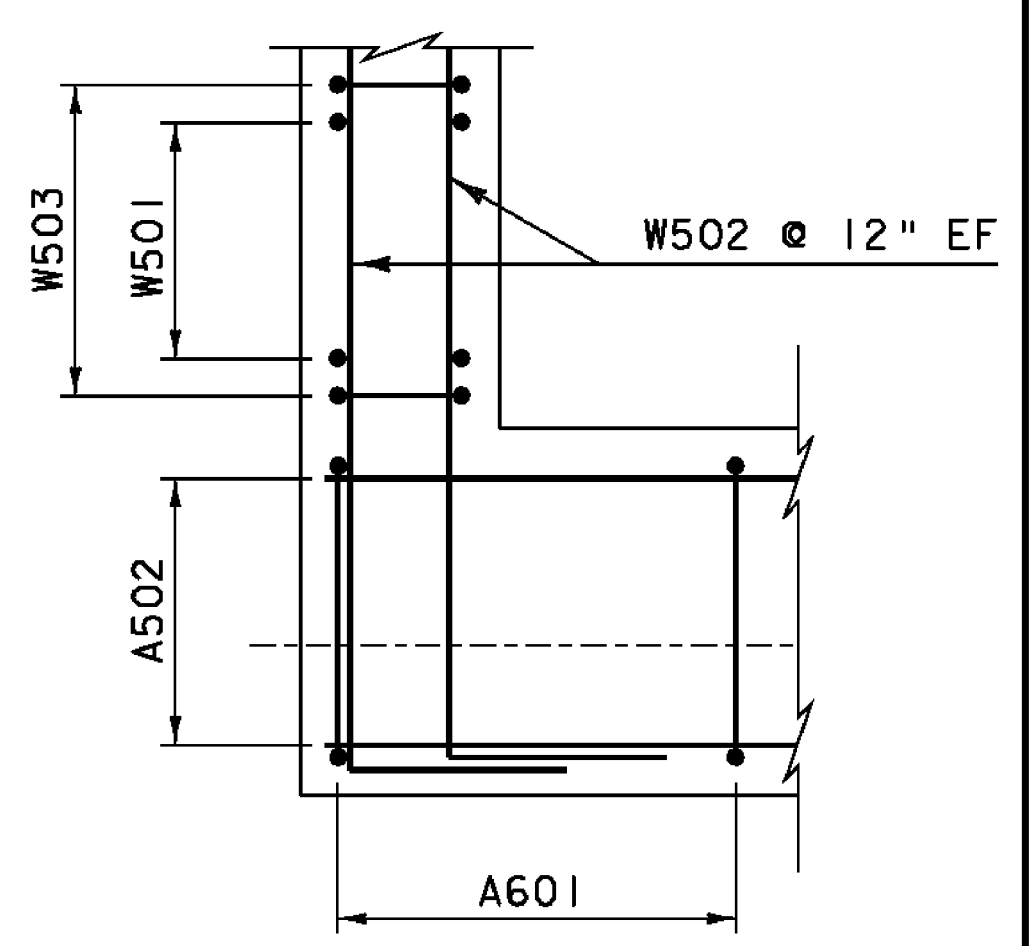


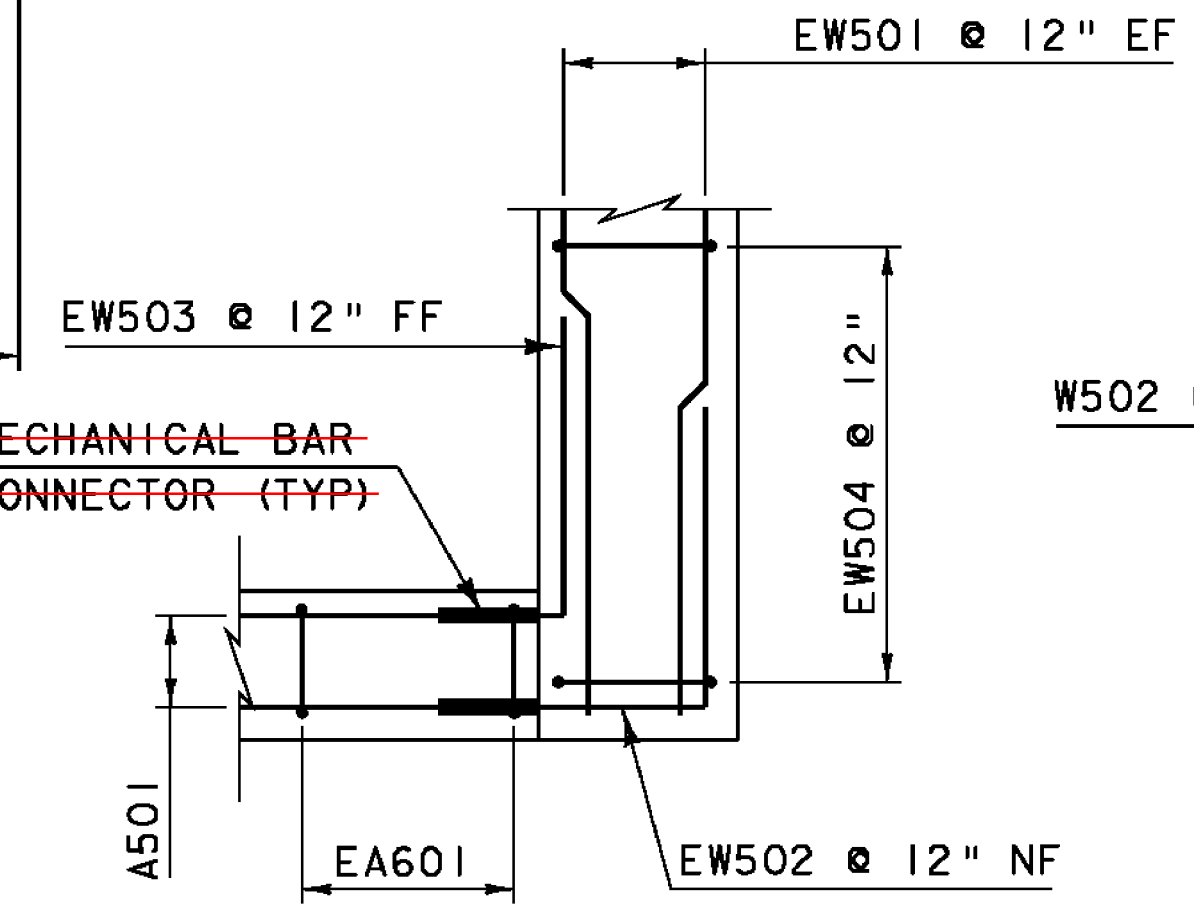
ABUTMENT #2 PLAN VIEW



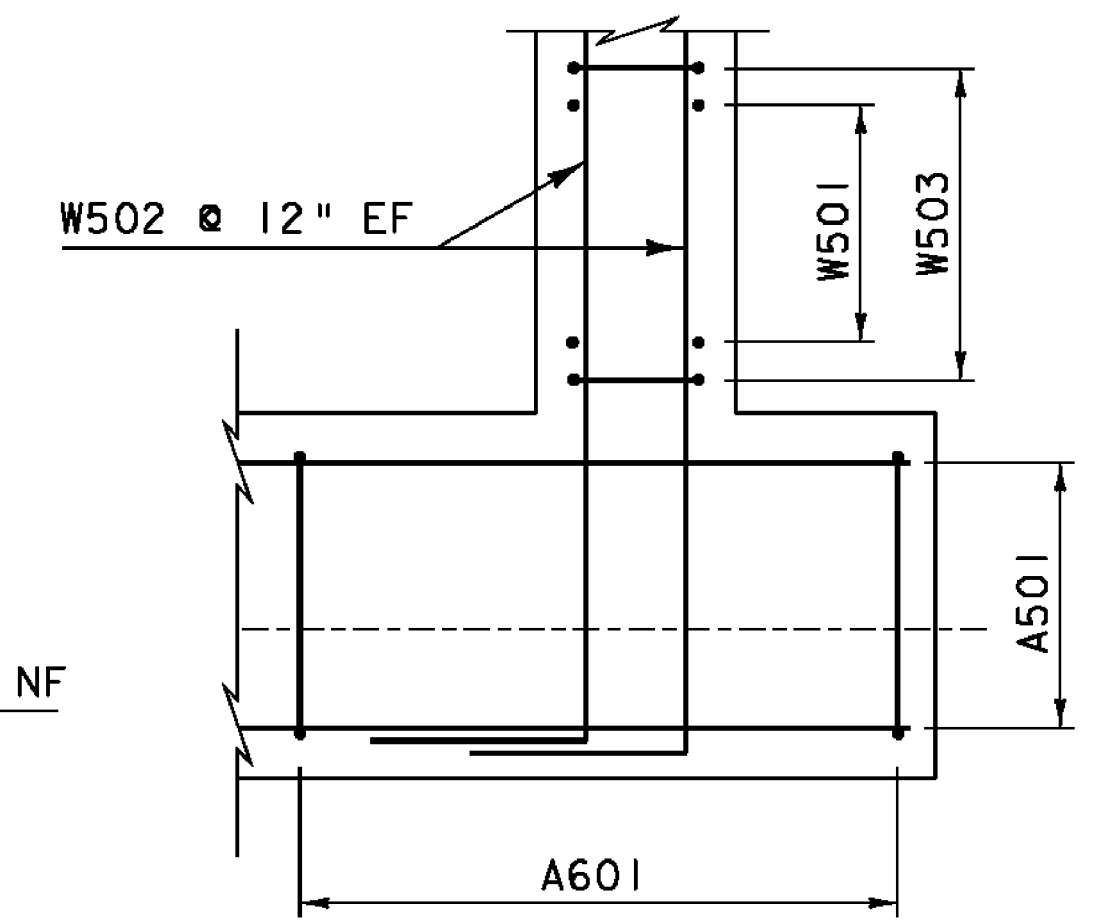
WINGWALL 1 & 3
CORNER DETAIL
ABOVE BRIDGE SEAT



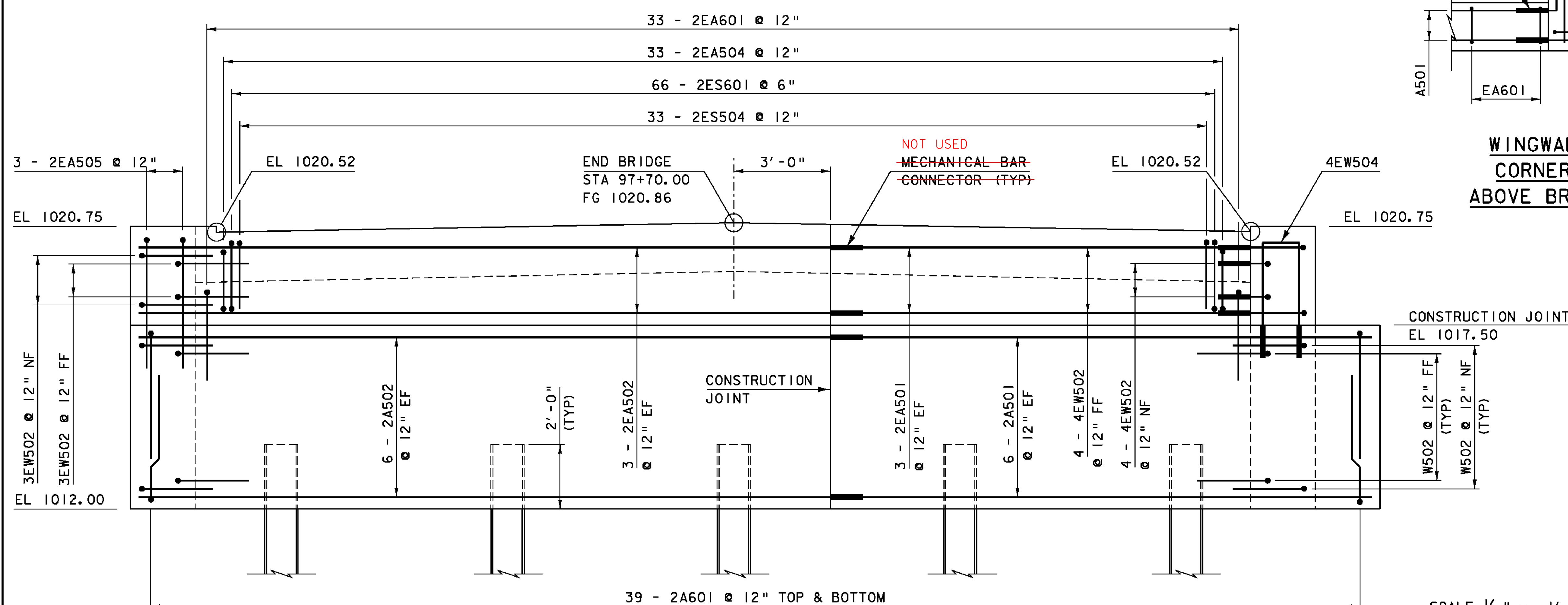
WINGWALL 1 & 3
CORNER DETAIL
BELOW BRIDGE SEAT



WINGWALL 2 & 4
CORNER DETAIL
ABOVE BRIDGE SEAT



WINGWALL 2 & 4
CORNER DETAIL
BELOW BRIDGE SEAT

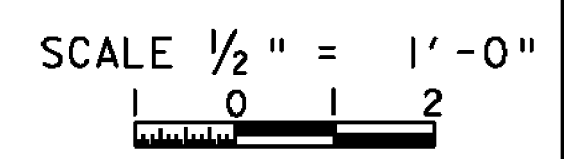


ABUTMENT #2 ELEVATION VIEW

NOT USED
MECHANICAL BAR
CONNECTOR (TYP)

NOT USED
MECHANICAL BAR
CONNECTOR (TYP)

NOTE:
NF = NEAR FACE
FF = FAR FACE
EF = EACH FACE
▲ = CUT TO FIT IN FIELD
3" CLEAR, UNLESS OTHERWISE
SPECIFIED ON THE PLANS.
2'-2" BAR LAP UNLESS OTHERWISE
SPECIFIED ON THE PLANS.



PROJECT NAME: EAST HAVEN	PLOT DATE: 08-AUG-2011
PROJECT NUMBER: BRP 0269(II)	DRAWN BY: J. SALVATORI
FILE NAME: s00c162sub.dgn	CHECKED BY: J. LACROIX
PROJECT LEADER: K. HIGGINS	SHEET 25 OF 40
DESIGNED BY: J. GRIFFIN	
ABUTMENT #2 DETAILS	